

BALDOR® • RELIANCE

Product Information Packet

ELECTRIC MOTOR WHOLESAL.COM

JM525

1HP,3450RPM,3PH,60HZ,56J,1718M,OPEN,F1,N

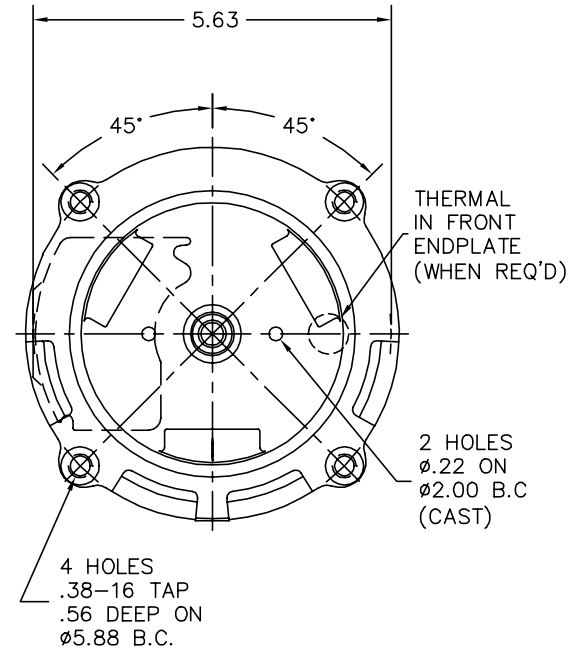
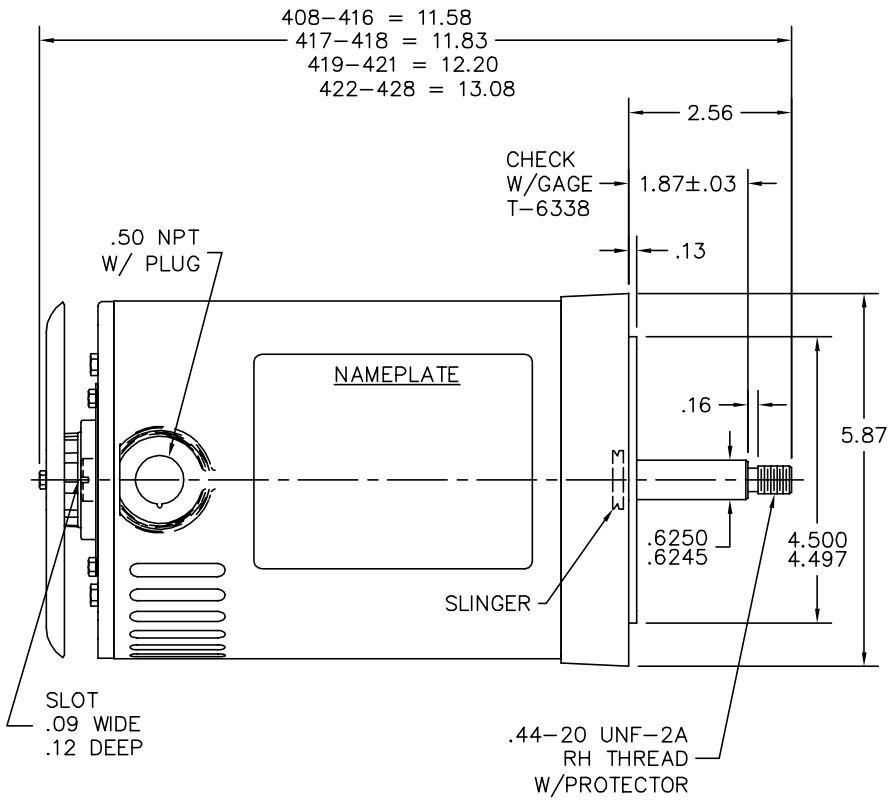
Part Detail							
Revision:	E	Status:	INA/A	Change #:		Proprietary:	No
Type:	AC	Prod. Type:	1718M	Elec. Spec:	17WGX230	CD Diagram:	
Enclosure:	OPEN	Mfg Plant:		Mech. Spec:	17E127	Layout:	
Frame:	56J	Mounting:	F1	Poles:	02	Created Date:	09-14-2007
Base:	N	Rotation:	R	Insulation:	B	Eff. Date:	04-13-2011
Leads:	3#18	Literature:		Elec. Diagram:		Replaced By:	

Nameplate NP1203

CAT.NO.		ENCL	OPEN
SPEC.	17E127X230	FRAME	56J
HP	1		
VOLTS	230		
AMPS	3		
RPM	3450		
HZ	60	PH	3 CL B
SER.F.	1.40	DES	B CODE M
FL EFF	80	PF	80
RATING	40C AMB-CONT		
SF AMP	3.8	USABLE AT 208V	3.8
S/N			
MANUAL	N	AUTO	N NONE Y

Parts List		
Part Number	Description	Quantity
SA162855	SA 17E127X230	1.000 EA
RA151371	RA 17E127X230	1.000 EA
WD4100A49	CAPLUG,BP-13/16,PLUG W/RECESSED HEAD	1.000 EA
11XT0832G06	8-32 X 3/8 TY 23 TAPPING	1.000 EA
51XW0832A07	8-32 X .44, TAPTITE II, HEX WSHR SLTD SE	4.000 EA
HW4600B39SP	SEAL 0.550 X .790 X .180 FACE SEALING	1.000 EA
34CB4501SP	TERMINAL BOX LID, STAMPED X (PLATED)	1.000 EA
17EP3200BT06	FR ENDPLATE, MACH W/HUB FOR DRIP COVER &	1.000 EA
HW5100A03SP	WAVY WASHER (W1543-017)	1.000 EA
34EP3401A07	PU ENDPLATE, MACH	1.000 EA
17AD0001A01	BAFFLE PLATE, MACH. FOR SPL 5.25 DIA. O.	1.000 EA
51XT0632A06	6-32X3/8 TY23 HXWS SLDSR	4.000 EA
34FH4500A13L	DRIP COVER STAMP W/BLACK POWDER COAT	1.000 EA
51XW0832A07	8-32 X .44, TAPTITE II, HEX WSHR SLTD SE	2.000 EA
51XW0832A07	8-32 X .44, TAPTITE II, HEX WSHR SLTD SE	2.000 EA
SP1042A01	TERM BOARD, MODEL 17 3 PHASE FOR .75" TH	1.000 EA
HA3100A44	THRUBOLT 10-32 X 8.000	4.000 EA
LB1125A01SP	STOCK MTR CARTON LABEL LASER PRINTER	1.000 EA
LC0006	CONNECTION LABEL	1.000 EA
LB5040	INSTRUCTION TAG, AC & DC	1.000 EA
NP1203	NP LABEL (FOR COMMERCIAL MOTOR)	1.000 EA
34PA1002	PACKING GROUP, BALDOR	1.000 EA
PK3082	STYROFOAM CRADLE	1.000 EA

17LYE127



CUSTOMER IS RESPONSIBLE FOR DETERMINING THAT BALDOR'S PRODUCT WILL PERFORM SUITABLY IN THE INTENDED APPLICATION.

REV. DESC: REV TO SHOW SLINGER & TERM LID (SEE ZTRO2 NOTES)		
REV. LTR: B	VERSION: 01	TDR: 000000489979
FILE: \AAA\00080\800		REVISED: 15:57:08 02/17/2009
MTL: -		BY: ENBENBO

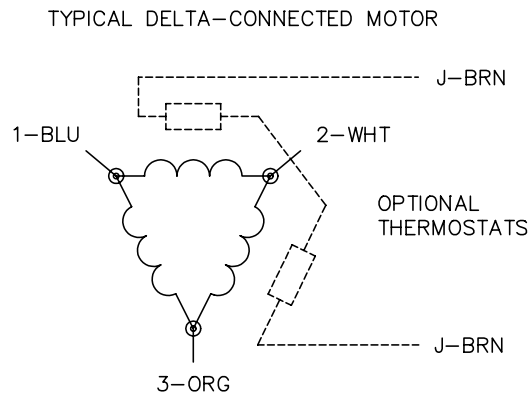
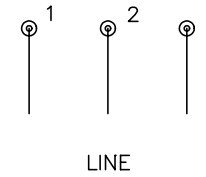
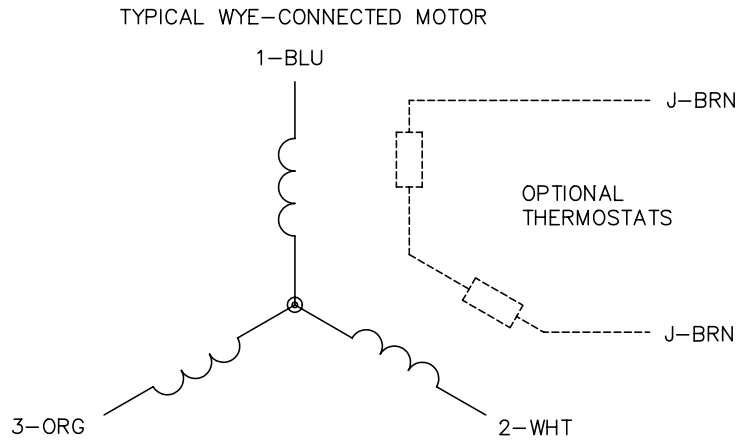
BALDOR • DODGE • RELIANCE

VERT 17M NEMA 56J OPEN W/ DRIP COVER & INT FAN

SH 1 of 1

17LYE127

CD0006



NOTES:

1. THREE LEAD MOTOR MAY BE EITHER WYE CONNECTED OR DELTA CONNECTED.
2. INTERCHANGE ANY TWO LINE LEADS TO REVERSE ROTATION.
3. OPTIONAL THERMOSTATS ARE PROVIDED WHEN SPECIFIED.
4. ACTUAL NUMBER OF INTERNAL PARALLEL CIRCUITS MAY VARY.
5. LEAD COLORS ARE OPTIONAL. LEADS MUST BE NUMBERED AS SHOWN.

REV. DESC: REVISE TO SHOW OPTIONAL COLORS			
REV. LTR: D	BY: JLP	REVISED: 01/21/99 4:02	TDR: 0171435
9000D		FILE: AAA00005141	MDL: -
		MTL: -	

BALDOR ELECTRIC Co.

3PH, SV, 3 LEADS, WYE OR DELTA CONNECTED

CD0006