

BALDOR® • RELIANCE

Product Information Packet

ELECTRIC MOTOR WHOLESAL.COM

JMM2516T

25HP,3510RPM,3PH,60HZ,256JM,3934M,OPSB,F

Part Detail							
Revision:	-	Status:	PRD/A	Change #:		Proprietary:	No
Type:	AC	Prod. Type:	3934M	Elec. Spec:	39WGX256	CD Diagram:	
Enclosure:	OPSB	Mfg Plant:		Mech. Spec:	39K62	Layout:	
Frame:	256JM	Mounting:	F1	Poles:	02	Created Date:	06-29-2010
Base:	RG	Rotation:	R	Insulation:	B	Eff. Date:	07-06-2010
Leads:	9#10	Literature:		Elec. Diagram:		Replaced By:	

Nameplate NP1256L

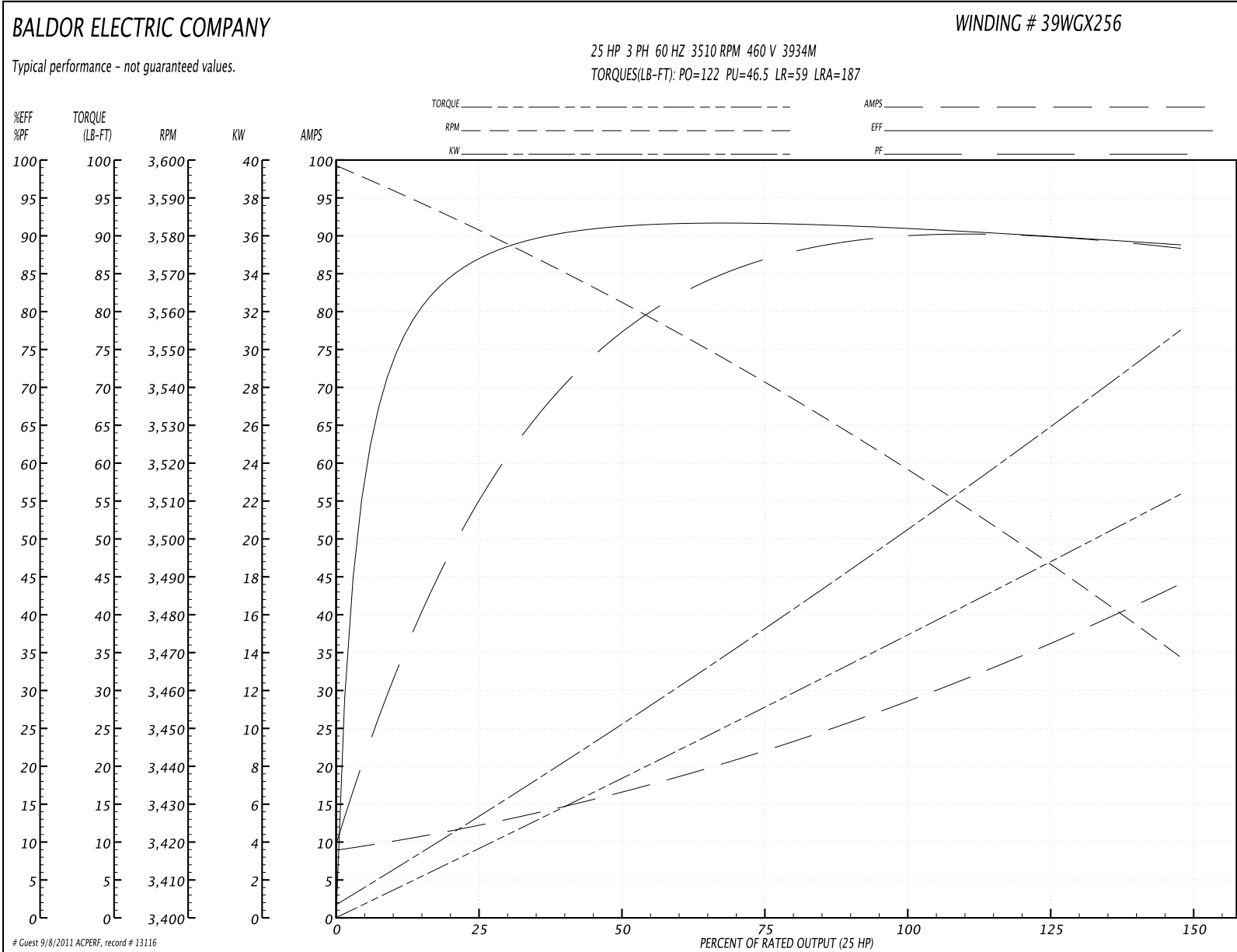
CAT.NO.	JMM2516T						
SPEC.	39K062X256H1						
HP	25						
VOLTS	230/460						
AMP	58/29						
RPM	3510						
FRAME	256JM	HZ	60	PH	3		
SER.F.	1.15	CODE	G	DES	B	CLASS	B
NEMA-NOM-EFF	91	PF	89				
RATING	40C AMB-CONT						
CC	010A	USABLE AT 208V	68				
DE	6309	ODE	6208				
ENCL	OPSB	SN					

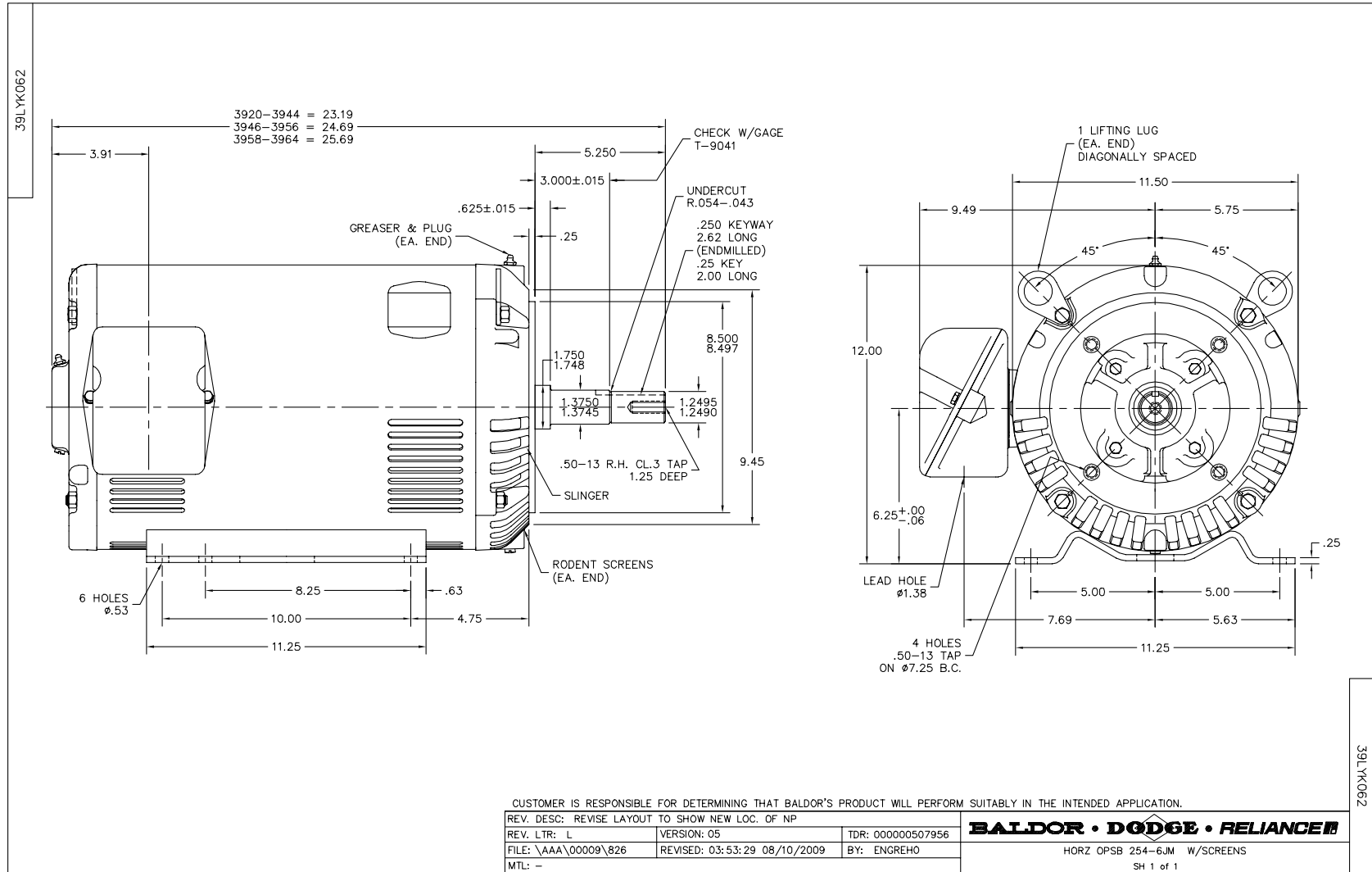
Parts List		
Part Number	Description	Quantity
SA199231	SA 39K062X256H1	1.000 EA
RA186568	RA 39K062X256H1	1.000 EA
S/P101-000-001	EPACT PROC-ZK 250FR, SMALL BOX, POLYREX EM	1.000 EA
HA6361A01	LIFTING LUG FOR 37, 39 & 40 FRAME (AUTOP	2.000 EA
HA6016	ADAPTER, CAST CONDUIT BOX	1.000 EA
09CB3002SP	CB W/1.38 LEAD HOLE FOR 37, 39, 307 & 30	1.000 EA
51XW2520A12	.25-20 X .75, TAPTITE II, HEX WSHR SLTD	2.000 EA
HW1001A25	LOCKWASHER 1/4, ZINC PLT .493 OD, .255 I	2.000 EA
WD1000B17	KPA-8C BURNDY TERMINAL	1.000 EA
11XW1032G06	10-32 X .38, TAPTITE II, HEX WSHR SLTD U	1.000 EA
39EP3200A01SP	FR/PU ENDPLATE, MACH	1.000 EA
HA4051A00	PLASTIC CAP FOR GREASE FITTING	1.000 EA
HA1101A01	RODENT SCREEN, 39 MTR	1.000 EA
11XW1032G06	10-32 X .38, TAPTITE II, HEX WSHR SLTD U	4.000 EA
HW5100A08	W3118-035 WVY WSHR (WB)	1.000 EA
10XN2520K28	1/4-20 X 1.75" HX HD SCRWGRADE 5, ZINC P	4.000 EA
HW1001A25	LOCKWASHER 1/4, ZINC PLT .493 OD, .255 I	4.000 EA
39EP3400A02	STD FACE MTD ENDPLATE 309 BRG W/BAFFLE &	1.000 EA
HA4051A00	PLASTIC CAP FOR GREASE FITTING	1.000 EA
HA1101A03	RODENT SCREEN, 39 FACE MTD.E.P.	1.000 EA
11XW1032G06	10-32 X .38, TAPTITE II, HEX WSHR SLTD U	4.000 EA
HW4600B67	FORSHEDA #V45A FACE SEAL	1.000 EA
XY3816A12	3/8-16 FINISHED NUT	8.000 EA
09CB3501SP	CONDUIT BOX LID FOR 09CB3001 & 09CB3002	1.000 EA

Parts List (continued)		
Part Number	Description	Quantity
51XW2520A12	.25-20 X .75, TAPTITE II, HEX WSHR SLTD	2.000 EA
HW2501E18	KEY, 1/4 SQ X 2.000	1.000 EA
LB1115	LABEL,LIFTING DEVICE	1.000 EA
HW4500A03	GREASE FITTING, .125 NPT 1610(ALEMITE) 8	1.000 EA
HW4500A20	1/8NPT SL PIPE PLUG	1.000 EA
MJ1000A75	GREASE, POLYREX EM EXXON	0.030 LB
HW4500A03	GREASE FITTING, .125 NPT 1610(ALEMITE) 8	1.000 EA
HW4500A20	1/8NPT SL PIPE PLUG	1.000 EA
MG1000G27	PAINT- S9282E CHARCOAL GREY 55 GALLONS	0.050 GA
85XU0407A04	#4-7 X 1/4 DRIVE PIN	2.000 EA
39AD2002B01	BAFFLE PLATE 39 OPEN, SLOTTED BAND MTRS	1.000 EA
39AD2002B01	BAFFLE PLATE 39 OPEN, SLOTTED BAND MTRS	1.000 EA
HA3154A09	TB STUD 3/8-16 X 16.25	4.000 EA
LB1119	WARNING LABEL	1.000 EA
LB1125C04	STD-E (STOCK CTN LABEL STD-E WITH FLAG)	4.000 EA
LC0181	CONNECTION LABEL	1.000 EA
NP1256L	ALUM, UL CSA CC, W/O THERMAL, LASER	1.000 EA
39PA1000	PACKAGING GROUP 39 PRINT	1.000 EA
LB5040	INSTRUCTION TAG, AC & DC	1.000 EA

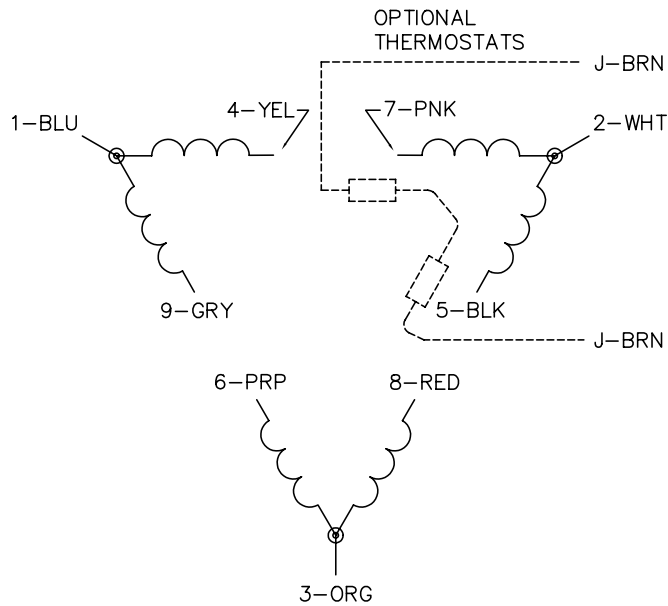
Performance Data at 460V, 60Hz, 25.0HP (Typical performance - Not guaranteed values)							
General Characteristics							
Full Load Torque:	37.3 LB-FT			Start Configuration:	DOL		
No-Load Current:	9.27 Amps			Break-Down Torque:	122.0 LB-FT		
Line-line Res. @ 25°C.:	0.427 Ohms A Ph / 0.0 Ohms B Ph			Pull-Up Torque:	46.5 LB-FT		
Temp. Rise @ Rated Load:	37 C			Locked-Rotor Torque:	59.0 LB-FT		
Temp. Rise @ S.F. Load:	50 C			Starting Current:	187.0 Amps		
Load Characteristics							
% of Rated Load	25	50	75	100	125	150	S.F.
Power Factor:	57.0	78.0	86.0	89.0	90.0	90.0	90.0
Efficiency:	86.8	91.0	91.6	91.1	90.1	88.7	90.5
Speed:	3581.0	3561.0	3541.0	3519.0	3495.0	3468.0	3505.0
Line Amperes:	11.82	16.45	22.36	28.85	36.0	43.9	33.1

Performance Graph at 460V, 60Hz, 25.0HP Typical performance - Not guaranteed values

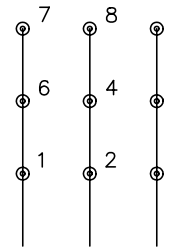




CD0180

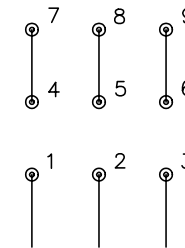


LOW VOLTAGE
(2D)



LINE

HIGH VOLTAGE
(1D)



LINE

NOTES:

1. INTERCHANGE ANY TWO LINE LEADS TO REVERSE ROTATION.
2. OPTIONAL THERMOSTATS ARE PROVIDED WHEN SPECIFIED.
3. ACTUAL NUMBER OF INTERNAL PARALLEL CIRCUITS MAY BE A MULTIPLE OF THOSE SHOWN ABOVE.
4. LEAD COLORS ARE OPTIONAL. LEADS MUST ALWAYS BE NUMBERED AS SHOWN.

REV. DESC: REVISE TO SHOW OPTIONAL COLORS			
REV. LTR: C	BY: JLP	REVISED: 01/21/99 2:28	TDR: 0171435
0810D0		FILE: AAA00005148	MDL: -
		MTL: -	

BALDOR ELECTRIC Co.

3PH, DV, 9 LEADS, DELTA CONNECTION

CD0180