

BALDOR® • RELIANCE

Product Information Packet

ELECTRIC MOTOR WHOLESAL.COM

JMM2535T

30HP,1760RPM,3PH,60HZ,286JM,3952M,OPSB

| Part Detail | | | | | | | |
|-------------|-------|-------------|-------|----------------|----------|---------------|------------|
| Revision: | H | Status: | PRD/A | Change #: | | Proprietary: | No |
| Type: | AC | Prod. Type: | 3952M | Elec. Spec: | 39WGW960 | CD Diagram: | |
| Enclosure: | OPSB | Mfg Plant: | | Mech. Spec: | 39N090 | Layout: | |
| Frame: | 286JM | Mounting: | F1 | Poles: | 04 | Created Date: | |
| Base: | RG | Rotation: | R | Insulation: | B | Eff. Date: | 03-28-2008 |
| Leads: | 9#10 | Literature: | | Elec. Diagram: | | Replaced By: | |

Nameplate NP1256L

| | | | | | | | |
|--------------|--------------|----------------|------|-----|---|-------|---|
| CAT.NO. | JMM2535T | | | | | | |
| SPEC. | 39N090W960H1 | | | | | | |
| HP | 30 | | | | | | |
| VOLTS | 230/460 | | | | | | |
| AMP | 72/36 | | | | | | |
| RPM | 1760 | | | | | | |
| FRAME | 286JM | HZ | 60 | PH | 3 | | |
| SER.F. | 1.15 | CODE | H | DES | B | CLASS | B |
| NEMA-NOM-EFF | 92.4 | PF | 84 | | | | |
| RATING | 40C AMB-CONT | | | | | | |
| CC | 010A | USABLE AT 208V | 77 | | | | |
| DE | 6312 | ODE | 6208 | | | | |
| ENCL | OPSB | SN | | | | | |
| | | | | | | | |

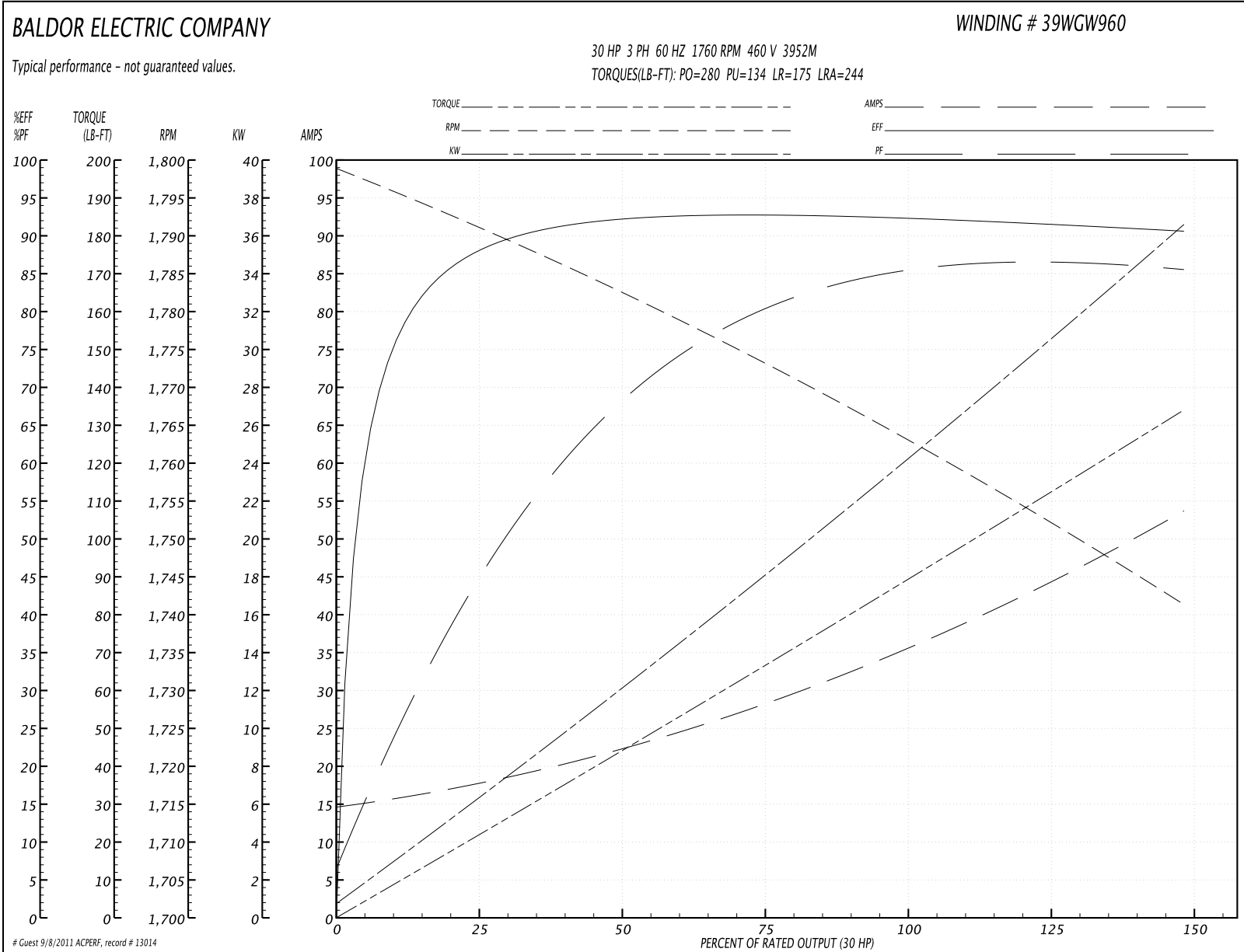
| Parts List | | |
|----------------|--|----------|
| Part Number | Description | Quantity |
| SA057040 | SA 39N090W960H1 | 1.000 EA |
| RA051561 | RA 39N090W960H1 | 1.000 EA |
| S/P101-000-003 | EPACT PROC-ZK 280FR & UP,LARGE KOBX,POLY | 1.000 EA |
| HW3201A01 | 1/2-13 EYEBOLT | 1.000 EA |
| 09CB2800A03 | ADAPTER MACH FOR 10CB3000 | 1.000 EA |
| 19XW3118A08 | .31-18 X .50 HEX WASHER HEAD TAPTITE II | 2.000 EA |
| HW1001A31 | LOCKWASHER 5/16, ZINC PLT.591 OD, .319 I | 2.000 EA |
| 10CB3000SP | STD KO BOX MODEL 310,312,314 MTRS W/2.00 | 1.000 EA |
| 19XW3118A12 | .31-18 X .75 HEX WASHER HEAD TAPTITE II | 4.000 EA |
| HW1001A31 | LOCKWASHER 5/16, ZINC PLT.591 OD, .319 I | 4.000 EA |
| WD1000B16 | KPA-4C BURNDY TERMINAL | 1.000 EA |
| 51XF2520A08 | SCREW, HEX SER SLT HD, ZN 1/4-20 X .50 L | 1.000 EA |
| 39EP3200A01SP | FR/PU ENDPLATE, MACH | 1.000 EA |
| HA4051A00 | PLASTIC CAP FOR GREASE FITTING | 1.000 EA |
| HA1101A01 | RODENT SCREEN, 39 MTR | 1.000 EA |
| 51XW1032A06 | 10-32 X .38, TAPTITE II, HEX WSHR SLTD S | 4.000 EA |
| HW5100A08 | W3118-035 WVY WSHR (WB) | 1.000 EA |
| 10XN3118K40 | 5/16-18 X 2.50" HEX HD, GRADE 5 | 4.000 EA |
| HW1001A31 | LOCKWASHER 5/16, ZINC PLT.591 OD, .319 I | 4.000 EA |
| 39EP1404A03 | FACE MTD.EP MACH. 284-6 OPEN | 1.000 EA |
| HA4051A00 | PLASTIC CAP FOR GREASE FITTING | 1.000 EA |
| HA1221 | RODENT SCREEN 39EP1404 | 4.000 EA |
| HW3207A04 | CABLE TIE 5 5/8 X .14" BLACK | 8.000 EA |
| HW4600B41 | V-RING SLINGER 2.125 X 2.880 X 0.280 | 1.000 EA |

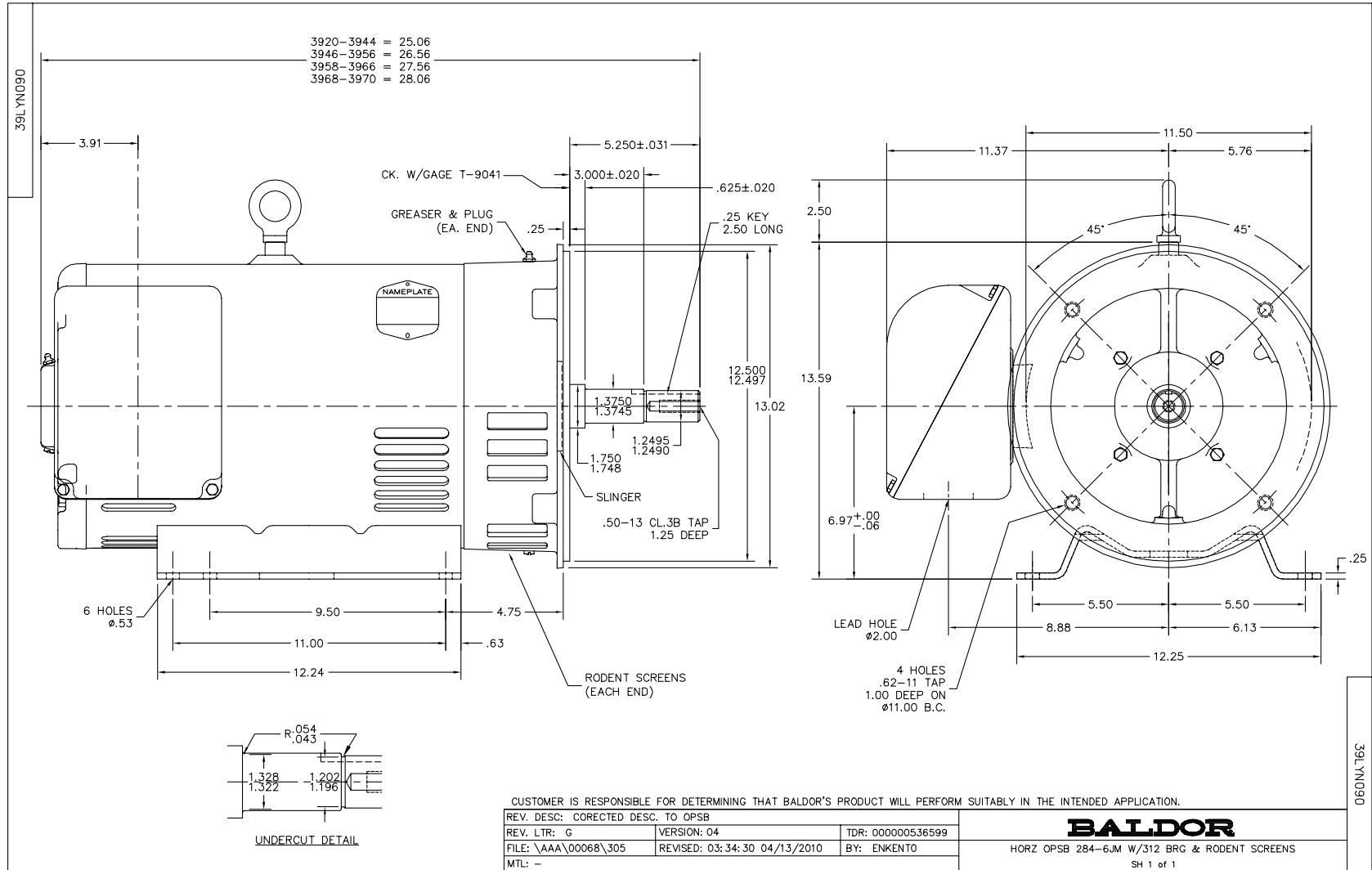
| Parts List (continued) | | |
|------------------------|--|----------|
| Part Number | Description | Quantity |
| XY3816A12 | 3/8-16 FINISHED NUT | 4.000 EA |
| 10CB3500SP | CONDUIT BOX LID, CAST | 1.000 EA |
| 51XW2520A12 | .25-20 X .75, TAPTITE II, HEX WSHR SLTD | 4.000 EA |
| HW2501E22 | KEY, 1/4 SQ X 2.500 | 1.000 EA |
| LB1115 | LABEL,LIFTING DEVICE | 1.000 EA |
| HW4500A03 | GREASE FITTING, .125 NPT 1610(ALEMITE) 8 | 1.000 EA |
| HW4500A20 | 1/8NPT SL PIPE PLUG | 1.000 EA |
| MJ1000A75 | GREASE, POLYREX EM EXXON | 0.030 LB |
| HW4500A03 | GREASE FITTING, .125 NPT 1610(ALEMITE) 8 | 1.000 EA |
| HW4500A20 | 1/8NPT SL PIPE PLUG | 1.000 EA |
| MG1000G27 | PAINT- S9282E CHARCOAL GREY 55 GALLONS | 0.050 GA |
| 85XU0407A04 | #4-7 X 1/4 DRIVE PIN | 2.000 EA |
| 39AD2002A01 | BAFFLE PLATE 39 OPEN, SLOTTED BAND MTRS | 2.000 EA |
| HA3113A05 | THRUBOLT 3/8 - 16 X 17.250 | 4.000 EA |
| LB1119 | WARNING LABEL | 1.000 EA |
| LC0181 | CONNECTION LABEL | 1.000 EA |
| LB1125C04 | STD-E (STOCK CTN LABEL STD-E WITH FLAG) | 4.000 EA |
| NP1256L | ALUM, UL CSA CC, W/O THERMAL, LASER | 1.000 EA |
| 40PA1000 | PACKAGING GROUP | 1.000 EA |

Performance Data at 460V, 60Hz, 30.0HP (Typical performance - Not guaranteed values)

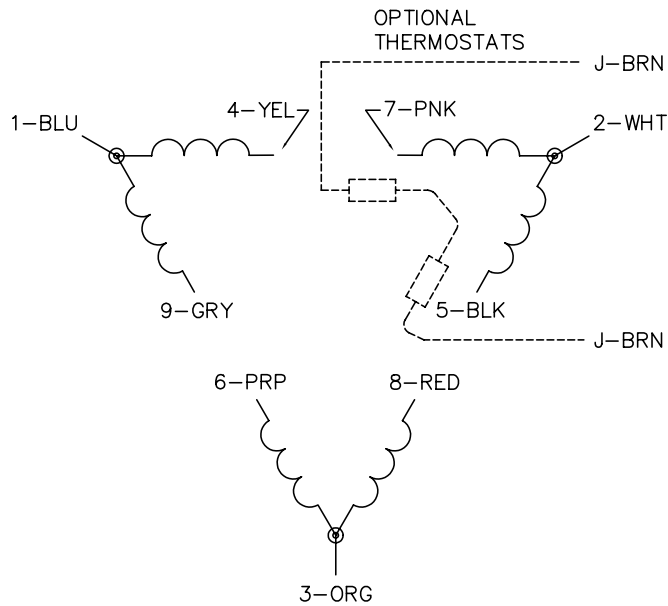
| General Characteristics | | | | | | | |
|--------------------------|---------------------------------|--------|--------|----------------------|-------------|--------|--------|
| Full Load Torque: | 89.4 LB-FT | | | Start Configuration: | DOL | | |
| No-Load Current: | 15.16 Amps | | | Break-Down Torque: | 280.0 LB-FT | | |
| Line-line Res. @ 25°C.: | 0.292 Ohms A Ph / 0.0 Ohms B Ph | | | Pull-Up Torque: | 134.0 LB-FT | | |
| Temp. Rise @ Rated Load: | 54 C | | | Locked-Rotor Torque: | 175.0 LB-FT | | |
| Temp. Rise @ S.F. Load: | 72 C | | | Starting Current: | 244.0 Amps | | |
| Load Characteristics | | | | | | | |
| % of Rated Load | 25 | 50 | 75 | 100 | 125 | 150 | S.F. |
| Power Factor: | 47.0 | 69.0 | 79.0 | 84.0 | 87.0 | 87.0 | 86.0 |
| Efficiency: | 87.9 | 92.0 | 92.7 | 92.4 | 91.7 | 90.5 | 92.0 |
| Speed: | 1791.0 | 1782.0 | 1773.0 | 1763.0 | 1753.0 | 1741.0 | 1757.0 |
| Line Amperes: | 17.07 | 22.1 | 28.6 | 36.1 | 44.2 | 53.4 | 40.9 |

Performance Graph at 460V, 60Hz, 30.0HP Typical performance - Not guaranteed values

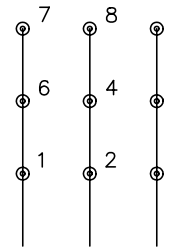




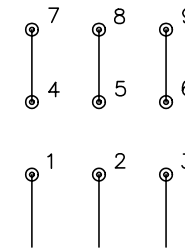
CD0180



LOW VOLTAGE
(2D)



HIGH VOLTAGE
(1D)



NOTES:

1. INTERCHANGE ANY TWO LINE LEADS TO REVERSE ROTATION.
2. OPTIONAL THERMOSTATS ARE PROVIDED WHEN SPECIFIED.
3. ACTUAL NUMBER OF INTERNAL PARALLEL CIRCUITS MAY BE A MULTIPLE OF THOSE SHOWN ABOVE.
4. LEAD COLORS ARE OPTIONAL. LEADS MUST ALWAYS BE NUMBERED AS SHOWN.

REV. DESC: REVISE TO SHOW OPTIONAL COLORS

REV. LTR: C BY: JLP

REVISED: 01/21/99 2:28

TDR: 0171435

0810D0

FILE: AAA00005148

MDL: -

MTL: -

BALDOR ELECTRIC Co.

3PH, DV, 9 LEADS, DELTA CONNECTION

CD0180