

BALDOR® • RELIANCE

Product Information Packet

ELECTRIC MOTOR WHOLESAL.COM

JMM2543T

50HP,1765RPM,3PH,60HZ,326JM,4060M,OPSB,F

| Part Detail | | | | | | | |
|-------------|-------|-------------|-------|----------------|----------|---------------|------------|
| Revision: | A | Status: | PRD/A | Change #: | | Proprietary: | No |
| Type: | AC | Prod. Type: | 4060M | Elec. Spec: | 40WGW951 | CD Diagram: | |
| Enclosure: | OPSB | Mfg Plant: | | Mech. Spec: | 40H25 | Layout: | |
| Frame: | 326JM | Mounting: | F1 | Poles: | 04 | Created Date: | 12-09-2009 |
| Base: | RG | Rotation: | R | Insulation: | B | Eff. Date: | 02-23-2010 |
| Leads: | 9#8 | Literature: | | Elec. Diagram: | | Replaced By: | |

Nameplate NP1256L

| | | | | | | | |
|--------------|--------------|----------------|------|-----|---|-------|---|
| CAT.NO. | JMM2543T | | | | | | |
| SPEC. | 40H025W951H1 | | | | | | |
| HP | 50 | | | | | | |
| VOLTS | 230/460 | | | | | | |
| AMP | 124/62 | | | | | | |
| RPM | 1765 | | | | | | |
| FRAME | 326JM | HZ | 60 | PH | 3 | | |
| SER.F. | 1.15 | CODE | G | DES | B | CLASS | B |
| NEMA-NOM-EFF | 93 | PF | 81 | | | | |
| RATING | 40C AMB-CONT | | | | | | |
| CC | 010A | USABLE AT 208V | 133 | | | | |
| DE | 6312 | ODE | 6309 | | | | |
| ENCL | OPSB | SN | | | | | |
| | | | | | | | |

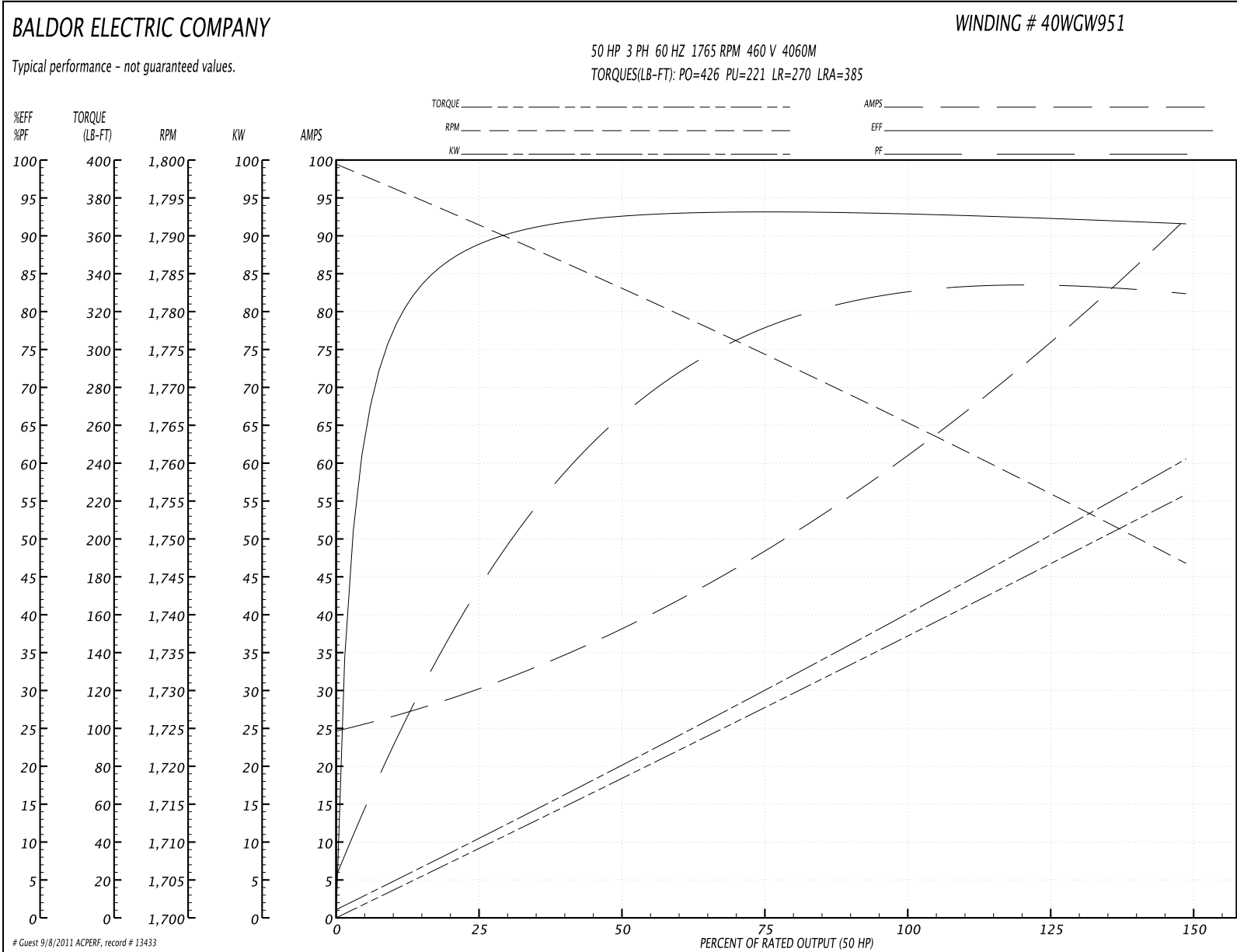
| Parts List | | |
|----------------|--|----------|
| Part Number | Description | Quantity |
| SA188555 | SA 40H025W951H1 | 1.000 EA |
| RA176287 | RA 40H025W951H1 | 1.000 EA |
| S/P101-000-003 | EPACT PROC-ZK 280FR & UP,LARGE KOBX,POLY | 1.000 EA |
| HA6361A01 | LIFTING LUG FOR 37, 39 & 40 FRAME (AUTOP | 2.000 EA |
| HA6017A01 | CAST ADAPTOR | 1.000 EA |
| 19XW3118A12 | .31-18 X .75 HEX WASHER HEAD TAPTITE II | 2.000 EA |
| HW1001A31 | LOCKWASHER 5/16, ZINC PLT.591 OD, .319 I | 2.000 EA |
| 10CB3001 | CONDUIT BOX CAST W/2.500 LEAD HOLE | 1.000 EA |
| 19XW3118A12 | .31-18 X .75 HEX WASHER HEAD TAPTITE II | 4.000 EA |
| HW1001A31 | LOCKWASHER 5/16, ZINC PLT.591 OD, .319 I | 4.000 EA |
| WD1000B16 | KPA-4C BURNDY TERMINAL | 1.000 EA |
| 51XF2520A08 | SCREW, HEX SER SLT HD, ZN 1/4-20 X .50 L | 1.000 EA |
| 40EP3200A02 | STD FREP OPEN 309 BRG | 1.000 EA |
| HA4051A00 | PLASTIC CAP FOR GREASE FITTING | 1.000 EA |
| HA1166A02 | RODENT SCREEN FOR 40 ENDPLATE 40EP1300A. | 1.000 EA |
| 51XW1032A06 | 10-32 X .38, TAPTITE II, HEX WSHR SLTD S | 4.000 EA |
| HW5100A11 | W3917-042 WVY WSHR (WB) | 1.000 EA |
| 40EP1401A02 | FR ENDPLATE, MACH OPEN NEMA 324-6T W/SCR | 1.000 EA |
| HA4051A00 | PLASTIC CAP FOR GREASE FITTING | 1.000 EA |
| HA1166A02 | RODENT SCREEN FOR 40 ENDPLATE 40EP1300A. | 1.000 EA |
| 51XW1032A06 | 10-32 X .38, TAPTITE II, HEX WSHR SLTD S | 4.000 EA |
| 10XN3118K40 | 5/16-18 X 2.50" HEX HD, GRADE 5 | 4.000 EA |
| HW1001A31 | LOCKWASHER 5/16, ZINC PLT.591 OD, .319 I | 4.000 EA |
| XY3816A12 | 3/8-16 FINISHED NUT | 8.000 EA |

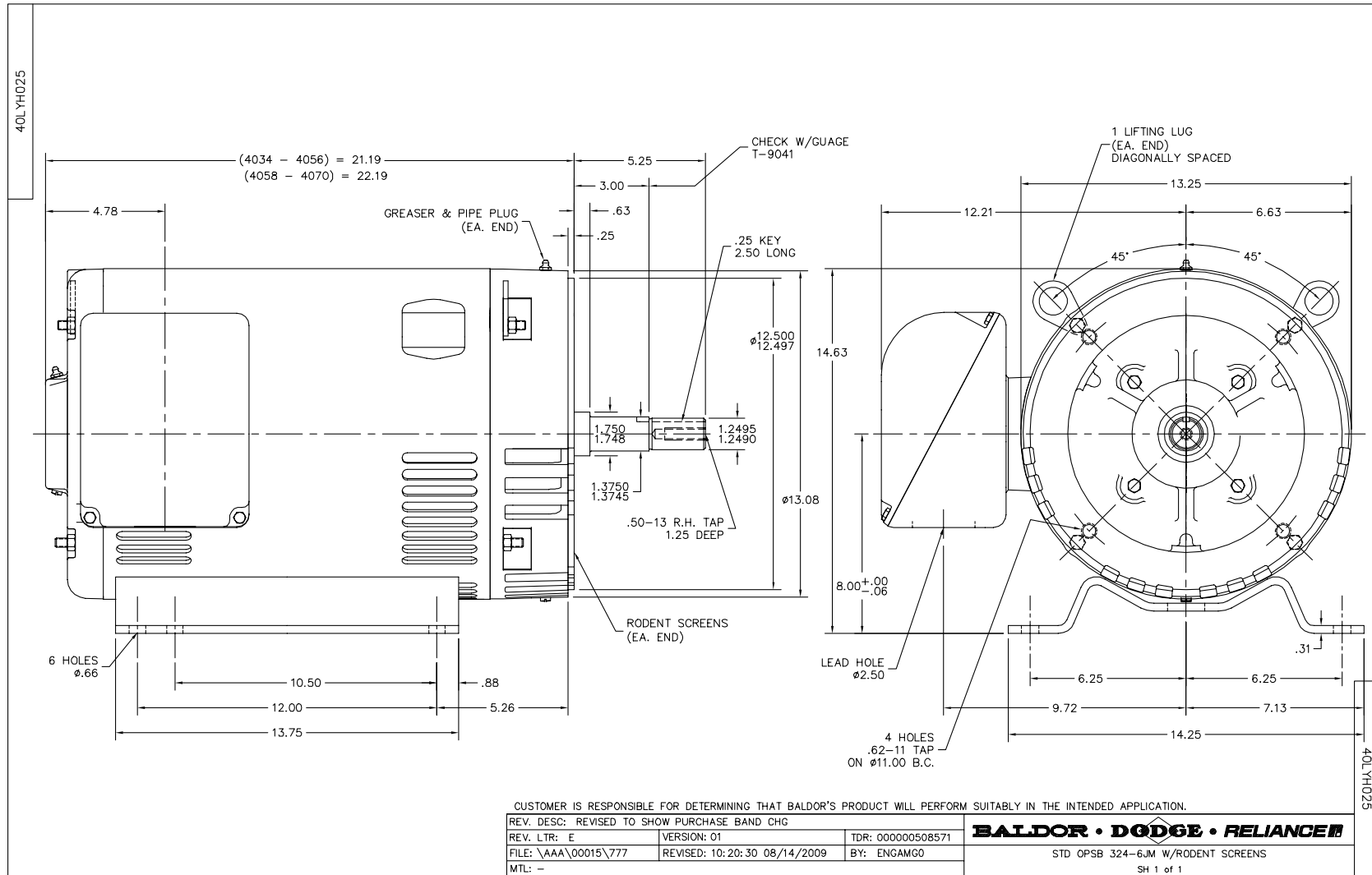
| Parts List (continued) | | |
|------------------------|--|----------|
| Part Number | Description | Quantity |
| 10CB3500SP | CONDUIT BOX LID, CAST | 1.000 EA |
| 51XW2520A12 | .25-20 X .75, TAPTITE II, HEX WSHR SLTD | 4.000 EA |
| HW2501E22 | KEY, 1/4 SQ X 2.500 | 1.000 EA |
| LB1115 | LABEL,LIFTING DEVICE | 1.000 EA |
| HW4500A03 | GREASE FITTING, .125 NPT 1610(ALEMITE) 8 | 1.000 EA |
| HW4500A20 | 1/8NPT SL PIPE PLUG | 1.000 EA |
| MJ1000A75 | GREASE, POLYREX EM EXXON | 0.050 LB |
| HW4500A03 | GREASE FITTING, .125 NPT 1610(ALEMITE) 8 | 1.000 EA |
| HW4500A20 | 1/8NPT SL PIPE PLUG | 1.000 EA |
| MG1000G27 | PAINT- S9282E CHARCOAL GREY 55 GALLONS | 0.070 GA |
| 85XU0407A04 | #4-7 X 1/4 DRIVE PIN | 2.000 EA |
| 40AD2002A01 | LEXAN BAFFLE 40 FR OPEN | 1.000 EA |
| 40AD2002A01 | LEXAN BAFFLE 40 FR OPEN | 1.000 EA |
| HA3154A06 | THRUBOLT STUD 3/8-16 X 19.500 | 4.000 EA |
| LB1119 | WARNING LABEL | 1.000 EA |
| LB1125C04 | STD-E (STOCK CTN LABEL STD-E WITH FLAG) | 4.000 EA |
| LC0181 | CONNECTION LABEL | 1.000 EA |
| LB5040 | INSTRUCTION TAG, AC & DC | 1.000 EA |
| NP1256L | ALUM, UL CSA CC, W/O THERMAL, LASER | 1.000 EA |
| 40PA1000 | PACKAGING GROUP | 1.000 EA |

Performance Data at 460V, 60Hz, 50.0HP (Typical performance - Not guaranteed values)

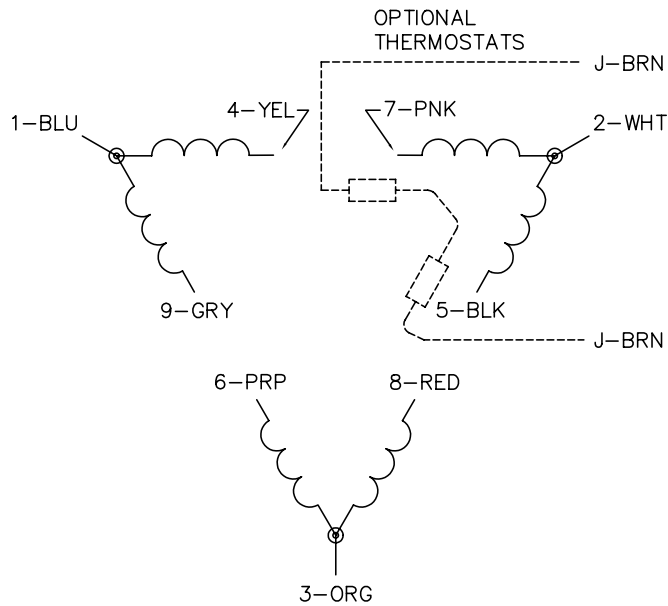
| General Characteristics | | | | | | | |
|--------------------------|----------------------------------|--------|--------|----------------------|-------------|--------|--------|
| Full Load Torque: | 149.0 LB-FT | | | Start Configuration: | DOL | | |
| No-Load Current: | 25.48 Amps | | | Break-Down Torque: | 426.0 LB-FT | | |
| Line-line Res. @ 25°C.: | 0.1406 Ohms A Ph / 0.0 Ohms B Ph | | | Pull-Up Torque: | 221.0 LB-FT | | |
| Temp. Rise @ Rated Load: | 54 C | | | Locked-Rotor Torque: | 270.0 LB-FT | | |
| Temp. Rise @ S.F. Load: | 72 C | | | Starting Current: | 385.0 Amps | | |
| Load Characteristics | | | | | | | |
| % of Rated Load | 25 | 50 | 75 | 100 | 125 | 150 | S.F. |
| Power Factor: | 45.0 | 67.0 | 77.0 | 81.0 | 83.0 | 84.0 | 83.0 |
| Efficiency: | 88.4 | 92.4 | 93.2 | 93.0 | 92.4 | 91.5 | 92.6 |
| Speed: | 1792.0 | 1783.0 | 1774.0 | 1765.0 | 1756.0 | 1747.0 | 1760.0 |
| Line Amperes: | 29.23 | 37.8 | 49.0 | 61.8 | 75.9 | 91.8 | 70.2 |

Performance Graph at 460V, 60Hz, 50.0HP Typical performance - Not guaranteed values

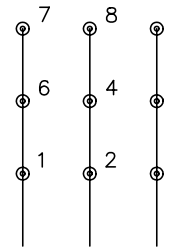




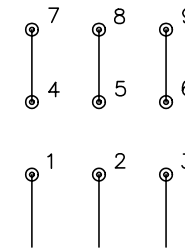
CD0180



LOW VOLTAGE
(2D)



HIGH VOLTAGE
(1D)



NOTES:

1. INTERCHANGE ANY TWO LINE LEADS TO REVERSE ROTATION.
2. OPTIONAL THERMOSTATS ARE PROVIDED WHEN SPECIFIED.
3. ACTUAL NUMBER OF INTERNAL PARALLEL CIRCUITS MAY BE A MULTIPLE OF THOSE SHOWN ABOVE.
4. LEAD COLORS ARE OPTIONAL. LEADS MUST ALWAYS BE NUMBERED AS SHOWN.

REV. DESC: REVISE TO SHOW OPTIONAL COLORS

REV. LTR: C BY: JLP

REVISED: 01/21/99 2:28

TDR: 0171435

0810D0

FILE: AAA00005148

MDL: -

MTL: -

BALDOR ELECTRIC Co.

3PH, DV, 9 LEADS, DELTA CONNECTION

CD0180