

# **BALDOR® • RELIANCE**

**Product Information Packet**

**ELECTRIC MOTOR WHOLESAL.COM**

**JMM4104T**

**30HP, 1760RPM, 3PH, 60HZ, 286JM, 0964M, TEFC, F**

| Part Detail |       |             |       |                |          |               |            |
|-------------|-------|-------------|-------|----------------|----------|---------------|------------|
| Revision:   | J     | Status:     | PRD/A | Change #:      |          | Proprietary:  | No         |
| Type:       | AC    | Prod. Type: | 0964M | Elec. Spec:    | 09WGY208 | CD Diagram:   |            |
| Enclosure:  | TEFC  | Mfg Plant:  |       | Mech. Spec:    | 09F823   | Layout:       |            |
| Frame:      | 286JM | Mounting:   | F1    | Poles:         | 04       | Created Date: | 06-26-2006 |
| Base:       | RG    | Rotation:   | R     | Insulation:    | F        | Eff. Date:    | 02-10-2011 |
| Leads:      | 9#10  | Literature: |       | Elec. Diagram: |          | Replaced By:  |            |

**Nameplate NP1256L**

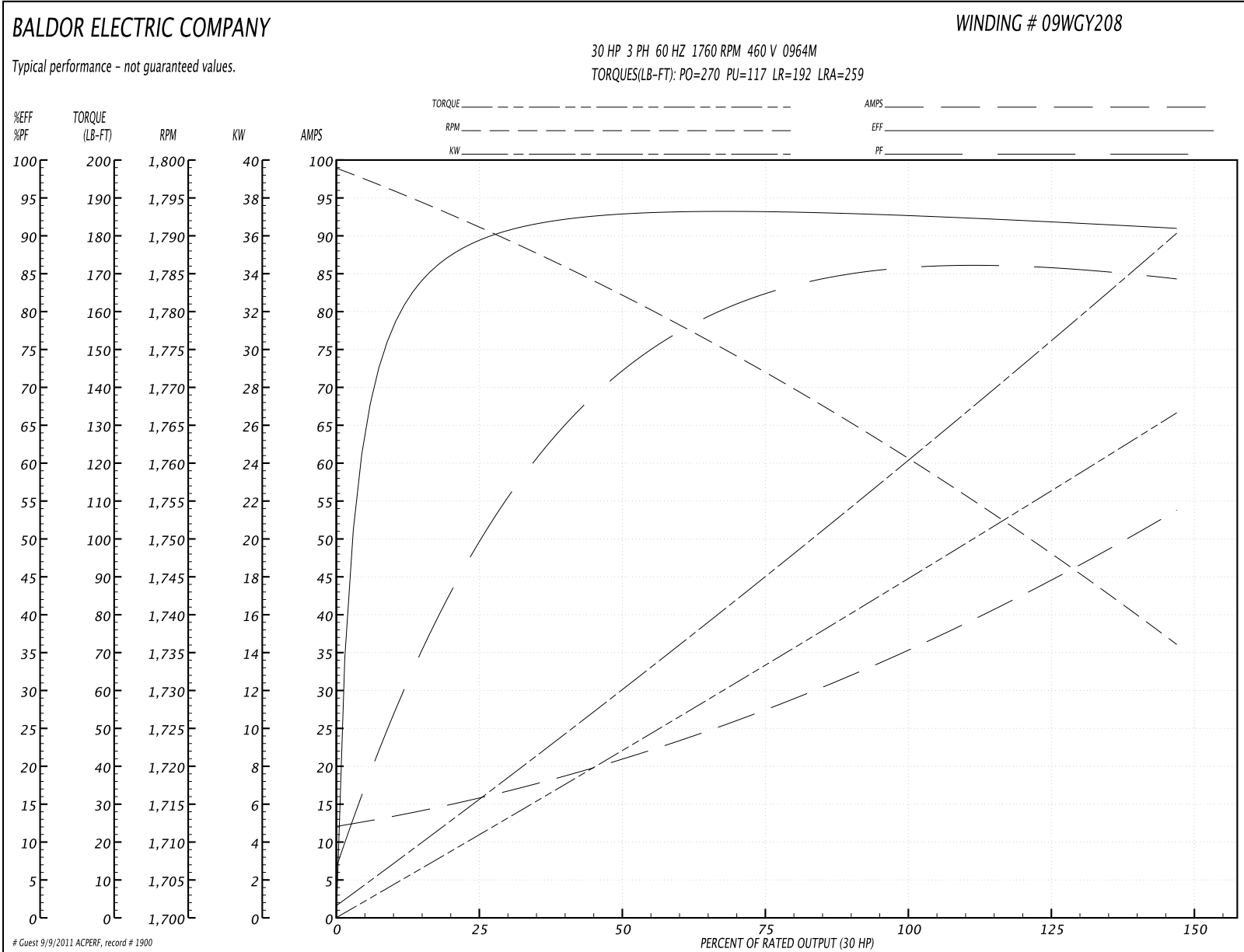
|              |              |                |      |     |   |       |   |
|--------------|--------------|----------------|------|-----|---|-------|---|
| CAT.NO.      | JMM4104T     |                |      |     |   |       |   |
| SPEC.        | 09F823Y208G1 |                |      |     |   |       |   |
| HP           | 30           |                |      |     |   |       |   |
| VOLTS        | 230/460      |                |      |     |   |       |   |
| AMP          | 72/36        |                |      |     |   |       |   |
| RPM          | 1760         |                |      |     |   |       |   |
| FRAME        | 286JM        | HZ             | 60   | PH  | 3 |       |   |
| SER.F.       | 1.15         | CODE           | H    | DES | B | CLASS | F |
| NEMA-NOM-EFF | 92.4         | PF             | 84   |     |   |       |   |
| RATING       | 40C AMB-CONT |                |      |     |   |       |   |
| CC           | 010A         | USABLE AT 208V | 77.4 |     |   |       |   |
| DE           | 6312         | ODE            | 6208 |     |   |       |   |
| ENCL         | TEFC         | SN             |      |     |   |       |   |
|              |              |                |      |     |   |       |   |

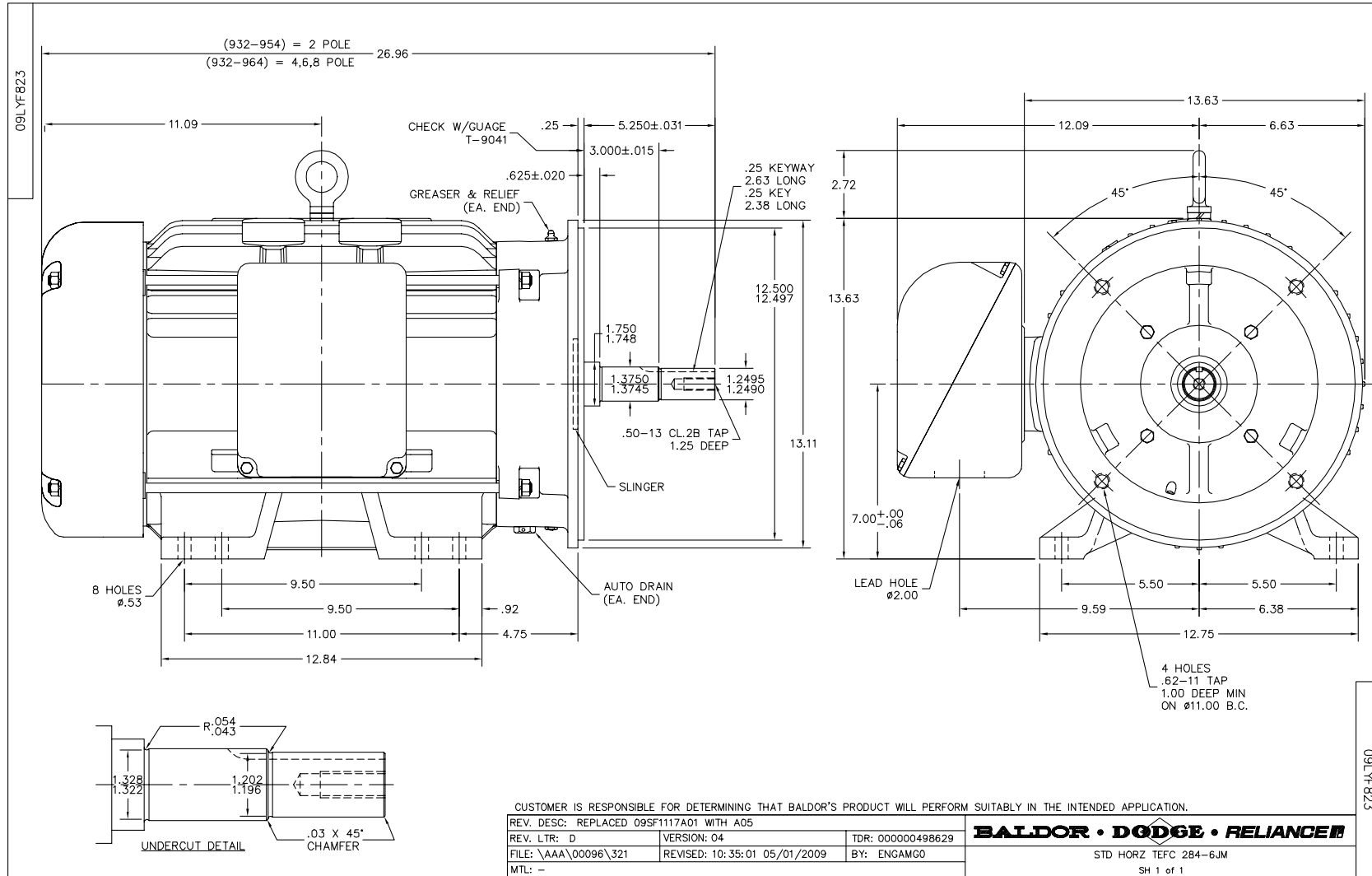
| Parts List    |  |          |
|---------------|--|----------|
| Part Number   | Description                              | Quantity |
| SA145121      | SA 09F823Y208G1                          | 1.000 EA |
| RA134286      | RA 09F823Y208G1                          | 1.000 EA |
| HW1002A63     | WASHER, 5/8 HI-COLLAR SPRLOCKWASHER      | 1.000 EA |
| 10CB3000SP    | STD KO BOX MODEL 310,312,314 MTRS W/2.00 | 1.000 EA |
| 12GS1000SP    | GASKET                                   | 1.000 EA |
| 10XN3118K12   | 5/16-18 X .75 GRADE 5, ZINC PLATED       | 4.000 EA |
| HW1001A31     | LOCKWASHER 5/16, ZINC PLT.591 OD, .319 I | 4.000 EA |
| 09EP1316A01   | PUEP, MACH 284-6JM; 312 BRG.             | 1.000 EA |
| HA1005A06     | SLINGER, OD 3.62, ID 2.15                | 1.000 EA |
| WD1000B17     | KPA-8C BURNDY TERMINAL                   | 1.000 EA |
| 11XW1032G06   | 10-32 X .38, TAPTITE II, HEX WSHR SLTD U | 1.000 EA |
| 09EP1100A14SP | ENDPLATE, MACH                           | 1.000 EA |
| XY3816A12     | 3/8-16 FINISHED NUT                      | 4.000 EA |
| HW1001A38     | LOCKWASHER 3/8, ZINC PLT .688 OD, .382 I | 4.000 EA |
| 09FH1000      | FAN COVER, CAST DISA                     | 1.000 EA |
| HW5100A08     | W3118-035 WVY WSHR (WB)                  | 1.000 EA |
| 10XN2520K28   | 1/4-20 X 1.75" HX HD SCRWGRADE 5, ZINC P | 2.000 EA |
| HW1001A25     | LOCKWASHER 1/4, ZINC PLT .493 OD, .255 I | 2.000 EA |
| 10XN3118K40   | 5/16-18 X 2.50" HEX HD, GRADE 5          | 4.000 EA |
| HW1001A31     | LOCKWASHER 5/16, ZINC PLT.591 OD, .319 I | 4.000 EA |
| HA3159A08     | THRUBOLT- .38-16 X 20.00 LONG STUD       | 4.000 EA |
| XY3816A12     | 3/8-16 FINISHED NUT                      | 4.000 EA |
| HW1001A38     | LOCKWASHER 3/8, ZINC PLT .688 OD, .382 I | 4.000 EA |
| HA2081A05     | SPACER TUBE, 309 FAN HSG, 2.00 LONG      | 4.000 EA |

| Parts List (continued) |  |          |
|------------------------|--|----------|
| Part Number            | Description                              | Quantity |
| XY3816A12              | 3/8-16 FINISHED NUT                      | 4.000 EA |
| HW1001A38              | LOCKWASHER 3/8, ZINC PLT .688 OD, .382 I | 4.000 EA |
| 10CB3500SP             | CONDUIT BOX LID, CAST                    | 1.000 EA |
| 10GS1000SP             | GASKET, CONDUIT BOX LID                  | 1.000 EA |
| 51XW2520A12            | .25-20 X .75, TAPTITE II, HEX WSHR SLTD  | 2.000 EA |
| HW2501E21              | KEY, 1/4 SQ X 2.375                      | 1.000 EA |
| LB1115                 | LABEL,LIFTING DEVICE                     | 1.000 EA |
| HW4500A05              | 1669B ALEM/UNIV860 GR FTG X              | 1.000 EA |
| HW4500A17              | 317400 ALEMITE GREASE RELIEF             | 1.000 EA |
| HA4001A01SP            | DRAIN PLUG, PLASTIC (MICRO PLAS)         | 1.000 EA |
| MJ1000A75              | GREASE, POLYREX EM EXXON                 | 0.080 LB |
| HW4500A03              | GREASE FITTING, .125 NPT 1610(ALEMITE) 8 | 1.000 EA |
| HW4500A17              | 317400 ALEMITE GREASE RELIEF             | 1.000 EA |
| HA4001A01SP            | DRAIN PLUG, PLASTIC (MICRO PLAS)         | 1.000 EA |
| 09FN3001A01SP          | EXTERNAL FAN, PLASTIC                    | 1.000 EA |
| HW2500A25              | WOODRUFF KEY USA #1008 #BLOW CARBON STEE | 1.000 EA |
| 51XB1214A20            | 12-14X1.25 HXWSSLD SERTYB                | 1.000 EA |
| MG1000G27              | PAINT- S9282E CHARCOAL GREY 55 GALLONS   | 0.050 GA |
| 85XU0407A04            | #4-7 X 1/4 DRIVE PIN                     | 2.000 EA |
| LB5040                 | INSTRUCTION TAG, AC & DC                 | 1.000 EA |
| LB1125A01SP            | STOCK MTR CARTON LABEL LASER PRINTER     | 4.000 EA |
| LC0005E02              | SPL CONN.DIA./WARN.LABEL(LC0005/LB1119)  | 1.000 EA |
| NP1256L                | ALUM, UL CSA CC, W/O THERMAL, LASER      | 1.000 EA |
| 40PA1005               | PACKAGING GROUP, 09 STD                  | 1.000 EA |

| Performance Data at 460V, 60Hz, 30.0HP (Typical performance - Not guaranteed values) |                                 |        |        |                      |             |        |        |
|--|---------------------------------|--------|--------|----------------------|-------------|--------|--------|
| General Characteristics  |                                 |        |        |                      |             |        |        |
| Full Load Torque:  | 88.9 LB-FT                      |        |        | Start Configuration: | DOL         |        |        |
| No-Load Current:   | 12.7 Amps                       |        |        | Break-Down Torque:   | 270.0 LB-FT |        |        |
| Line-line Res. @ 25°C.:  | 0.257 Ohms A Ph / 0.0 Ohms B Ph |        |        | Pull-Up Torque:      | 117.0 LB-FT |        |        |
| Temp. Rise @ Rated Load:   | 68 C                            |        |        | Locked-Rotor Torque: | 192.0 LB-FT |        |        |
| Temp. Rise @ S.F. Load:  | 84 C                            |        |        | Starting Current:    | 259.0 Amps  |        |        |
| Load Characteristics   |                                 |        |        |                      |             |        |        |
| % of Rated Load  | 25                              | 50     | 75     | 100                  | 125         | 150    | S.F.   |
| Power Factor:  | 51.0                            | 73.0   | 81.0   | 84.0                 | 86.0        | 86.0   | 85.0   |
| Efficiency:  | 88.9                            | 92.7   | 93.2   | 92.8                 | 92.0        | 90.9   | 92.3   |
| Speed:   | 1791.0                          | 1782.0 | 1772.0 | 1761.0               | 1749.0      | 1736.0 | 1754.0 |
| Line Amperes:  | 15.0                            | 20.7   | 27.5   | 35.8                 | 44.1        | 53.4   | 40.78  |

Performance Graph at 460V, 60Hz, 30.0HP Typical performance - Not guaranteed values





CUSTOMER IS RESPONSIBLE FOR DETERMINING THAT BALDOR'S PRODUCT WILL PERFORM SUITABLY IN THE INTENDED APPLICATION.

|  |                      |                              |
|--|----------------------|------------------------------|
| REV. DESC: REPLACED 09SF1117A01 WITH A05 | VERSION: 04          | TDR: 000000498629            |
| REV. LTR: D                              | FILE: \AAA\00096\321 | REVISED: 10:35:01 05/01/2009 |
| MTL: -                                   | BY: ENGAMGO          |                              |

**BALDOR • DODGE • RELIANCE**

STD HORZ TEFC 284-6JM

SH 1 of 1

CD0005



LOW VOLTAGE  
(2Y)



LINE

HIGH VOLTAGE  
(1Y)



LINE

NOTES:

1. INTERCHANGE ANY TWO LINE LEADS TO REVERSE ROTATION.
2. OPTIONAL THERMOSTATS ARE PROVIDED WHEN SPECIFIED.
3. ACTUAL NUMBER OF INTERNAL PARALLEL CIRCUITS MAY BE A MULTIPLE OF THOSE SHOWN ABOVE.
4. LEAD COLORS ARE OPTIONAL. LEADS MUST ALWAYS BE NUMBERED AS SHOWN.

|   |         |                         |              |
|---|---------|-------------------------|--------------|
| REV. DESC: REVISE TO SHOW OPTIONAL COLORS |         |                         |              |
| REV. LTR: E                               | BY: JLP | REVISED: 01/19/99 10:15 | TDR: 0171435 |
| 900000                                    |         | FILE: AAA00005140       | MDL: -       |
|   |         | MTL: -                  |              |

**BALDOR ELECTRIC Co.**

3PH, DV, 9 LEADS

CD0005