

BALDOR® • RELIANCE

Product Information Packet

ELECTRIC MOTOR WHOLESALE.COM

JMM4108T

30HP,3510RPM,3PH,60HZ,286JM,0954M,TEFC,F

Part Detail							
Revision:	H	Status:	PRD/A	Change #:		Proprietary:	No
Type:	AC	Prod. Type:	0954M	Elec. Spec:	09WGY353	CD Diagram:	
Enclosure:	TEFC	Mfg Plant:		Mech. Spec:	09F823	Layout:	
Frame:	286JM	Mounting:	F1	Poles:	02	Created Date:	09-20-2006
Base:	RG	Rotation:	R	Insulation:	F	Eff. Date:	02-10-2011
Leads:	9#10	Literature:		Elec. Diagram:		Replaced By:	

Nameplate NP1256L

CAT.NO.	JMM4108T						
SPEC.	09F823Y353						
HP	30						
VOLTS	230/460						
AMP	68/34						
RPM	3510						
FRAME	286JM	HZ	60	PH	3		
SER.F.	1.15	CODE	J	DES	A	CLASS	F
NEMA-NOM-EFF	91	PF	92				
RATING	40C AMB-CONT						
CC	010A	USABLE AT 208V	74				
DE	6312	ODE	6208				
ENCL	TEFC	SN					

Parts List		
Part Number	Description	Quantity
SA149370	SA 09F823Y353	1.000 EA
RA138297	RA 09F823Y353	1.000 EA
09FN3001D01	EXTERNAL FAN, PLASTIC	1.000 EA
HW1002A63	WASHER, 5/8 HI-COLLAR SPRLOCKWASHER	1.000 EA
10CB3000SP	STD KO BOX MODEL 310,312,314 MTRS W/2.00	1.000 EA
12GS1000SP	GASKET	1.000 EA
10XN3118K12	5/16-18 X .75 GRADE 5, ZINC PLATED	4.000 EA
HW1001A31	LOCKWASHER 5/16, ZINC PLT.591 OD, .319 I	4.000 EA
09EP1316A01	PUEP, MACH 284-6JM; 312 BRG.	1.000 EA
HA1005A06	SLINGER, OD 3.62, ID 2.15	1.000 EA
WD1000B17	KPA-8C BURNDY TERMINAL	1.000 EA
11XW1032G06	10-32 X .38, TAPTITE II, HEX WSHR SLTD U	1.000 EA
09EP1100A14SP	ENDPLATE, MACH	1.000 EA
XY3816A12	3/8-16 FINISHED NUT	4.000 EA
HW1001A38	LOCKWASHER 3/8, ZINC PLT .688 OD, .382 I	4.000 EA
09FH1000	FAN COVER, CAST DISA	1.000 EA
HW5100A08	W3118-035 WVY WSHR (WB)	1.000 EA
10XN2520K28	1/4-20 X 1.75" HX HD SCRWGRADE 5, ZINC P	2.000 EA
HW1001A25	LOCKWASHER 1/4, ZINC PLT .493 OD, .255 I	2.000 EA
10XN3118K40	5/16-18 X 2.50" HEX HD, GRADE 5	4.000 EA
HW1001A31	LOCKWASHER 5/16, ZINC PLT.591 OD, .319 I	4.000 EA
HA3159A08	THRUBOLT- .38-16 X 20.00 LONG STUD	4.000 EA
XY3816A12	3/8-16 FINISHED NUT	4.000 EA
HW1001A38	LOCKWASHER 3/8, ZINC PLT .688 OD, .382 I	4.000 EA

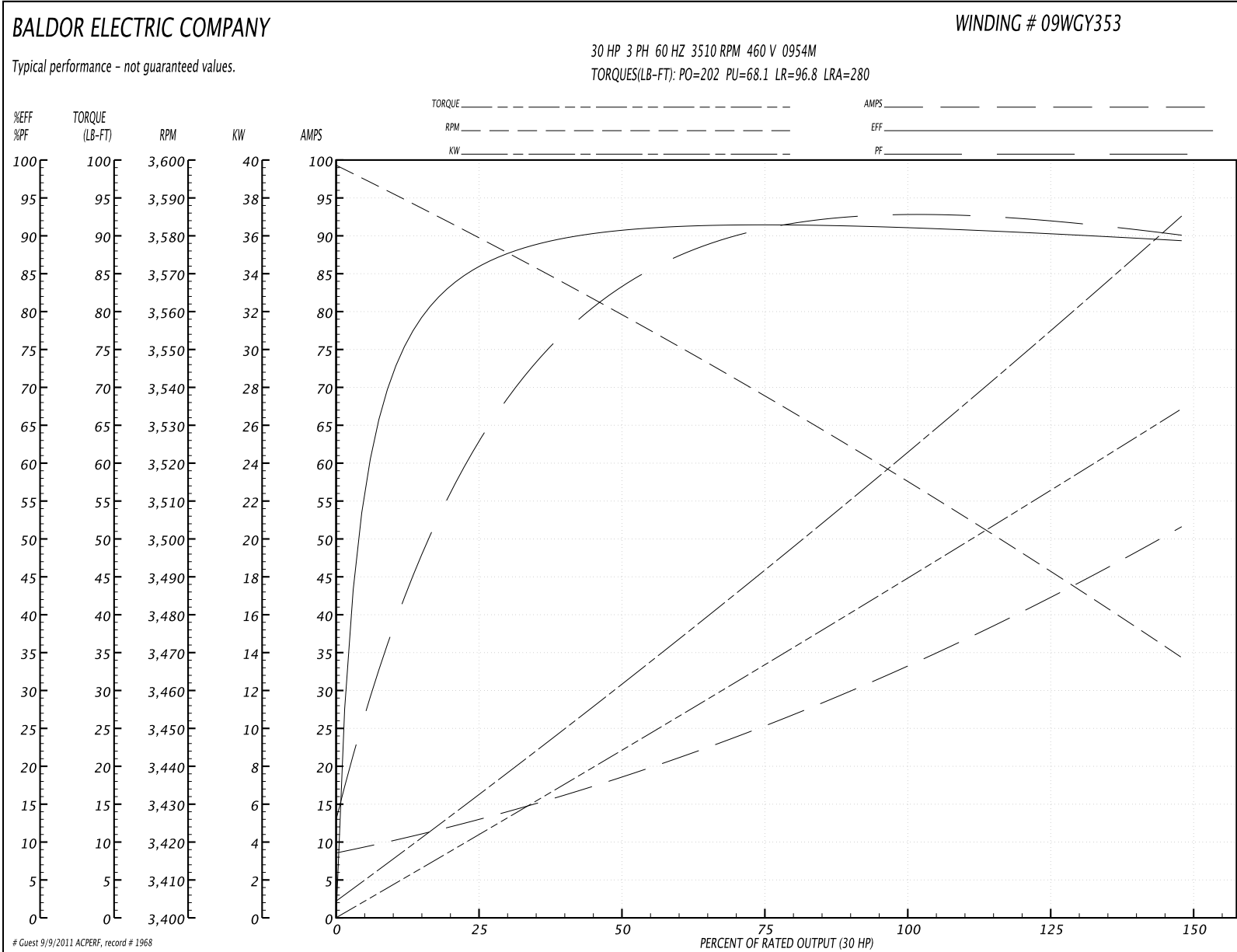
Parts List (continued)		
Part Number	Description	Quantity
HA2081A05	SPACER TUBE, 309 FAN HSG, 2.00 LONG	4.000 EA
XY3816A12	3/8-16 FINISHED NUT	4.000 EA
HW1001A38	LOCKWASHER 3/8, ZINC PLT .688 OD, .382 I	4.000 EA
10CB3500SP	CONDUIT BOX LID, CAST	1.000 EA
10GS1000SP	GASKET, CONDUIT BOX LID	1.000 EA
51XW2520A12	.25-20 X .75, TAPTITE II, HEX WSHR SLTD	2.000 EA
HW2501E21	KEY, 1/4 SQ X 2.375	1.000 EA
LB1115	LABEL,LIFTING DEVICE	1.000 EA
HW4500A05	1669B ALEM/UNIV860 GR FTG X	1.000 EA
HW4500A17	317400 ALEMITE GREASE RELIEF	1.000 EA
HA4001A01SP	DRAIN PLUG, PLASTIC (MICRO PLAS)	1.000 EA
MJ1000A75	GREASE, POLYREX EM EXXON	0.080 LB
HW4500A03	GREASE FITTING, .125 NPT 1610(ALEMITE) 8	1.000 EA
HW4500A17	317400 ALEMITE GREASE RELIEF	1.000 EA
HA4001A01SP	DRAIN PLUG, PLASTIC (MICRO PLAS)	1.000 EA
HW2500A25	WOODRUFF KEY USA #1008 #BLOW CARBON STEE	1.000 EA
51XB1214A20	12-14X1.25 HXWSSLD SERTYB	1.000 EA
MG1000G27	PAINT- S9282E CHARCOAL GREY 55 GALLONS	0.050 GA
85XU0407A04	#4-7 X 1/4 DRIVE PIN	2.000 EA
LB5040	INSTRUCTION TAG, AC & DC	1.000 EA
LB1119	WARNING LABEL	1.000 EA
LB1125A01SP	STOCK MTR CARTON LABEL LASER PRINTER	4.000 EA
LC0181	CONNECTION LABEL	1.000 EA
NP1256L	ALUM, UL CSA CC, W/O THERMAL, LASER	1.000 EA

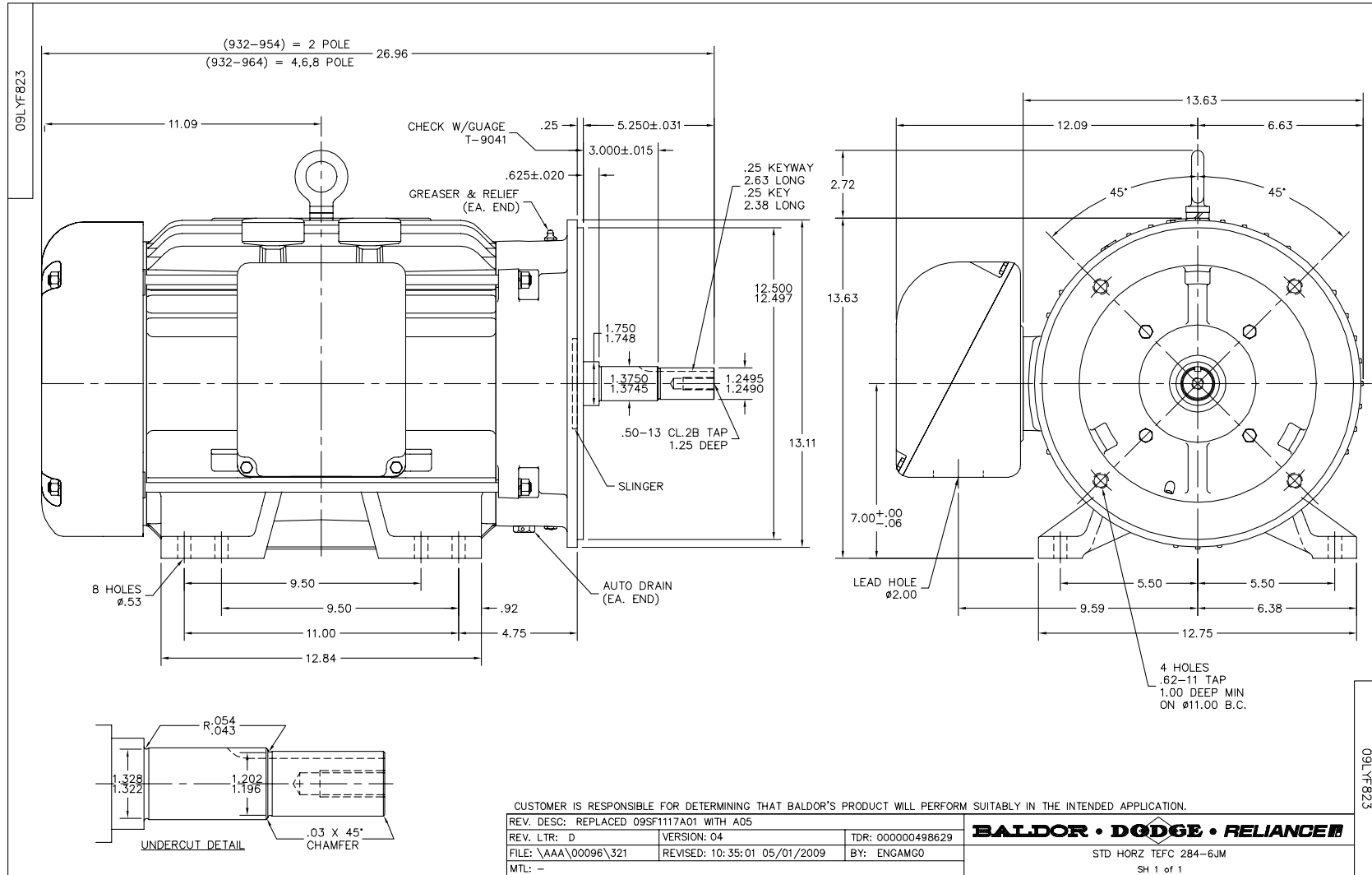
Parts List (continued)

Part Number	Description	Quantity
40PA1005	PACKAGING GROUP, 09 STD	1.000 EA

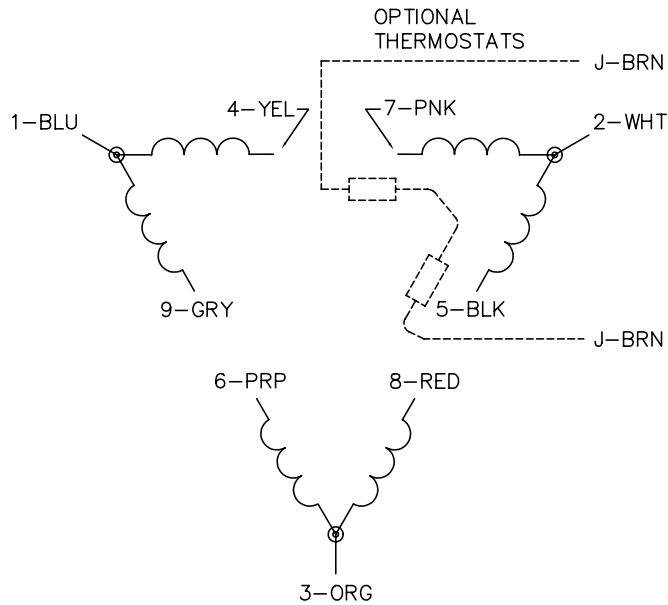
Performance Data at 460V, 60Hz, 30.0HP (Typical performance - Not guaranteed values)							
General Characteristics							
Full Load Torque:	44.8 LB-FT			Start Configuration:	DOL		
No-Load Current:	9.13 Amps			Break-Down Torque:	202.0 LB-FT		
Line-line Res. @ 25°C.:	0.236 Ohms A Ph / 0.0 Ohms B Ph			Pull-Up Torque:	68.1 LB-FT		
Temp. Rise @ Rated Load:	78 C			Locked-Rotor Torque:	96.8 LB-FT		
Temp. Rise @ S.F. Load:	94 C			Starting Current:	280.0 Amps		
Load Characteristics							
% of Rated Load	25	50	75	100	125	150	S.F.
Power Factor:	66.0	84.0	90.0	92.0	92.0	92.0	92.0
Efficiency:	86.0	90.7	91.4	91.1	90.4	89.3	90.7
Speed:	3579.0	3558.0	3537.0	3516.0	3493.0	3468.0	3502.0
Line Amperes:	12.28	18.42	25.69	33.7	42.1	51.3	38.7

Performance Graph at 460V, 60Hz, 30.0HP Typical performance - Not guaranteed values

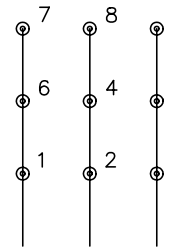




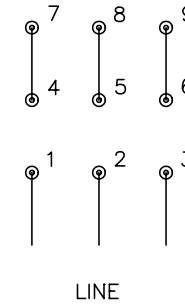
CD0180



LOW VOLTAGE
(2D)



HIGH VOLTAGE
(1D)



NOTES:

1. INTERCHANGE ANY TWO LINE LEADS TO REVERSE ROTATION.
2. OPTIONAL THERMOSTATS ARE PROVIDED WHEN SPECIFIED.
3. ACTUAL NUMBER OF INTERNAL PARALLEL CIRCUITS MAY BE A MULTIPLE OF THOSE SHOWN ABOVE.
4. LEAD COLORS ARE OPTIONAL. LEADS MUST ALWAYS BE NUMBERED AS SHOWN.

REV. DESC: REVISE TO SHOW OPTIONAL COLORS			
REV. LTR: C	BY: JLP	REVISED: 01/21/99 2:28	TDR: 0171435
0810D0		FILE: AAA00005148	MDL: -
		MTL: -	

BALDOR ELECTRIC Co.

3PH, DV, 9 LEADS, DELTA CONNECTION

CD0180