

# **BALDOR**® • **RELIANCE**

**Product Information Packet**

**ELECTRIC MOTOR WHOLESAL.COM**

**JMM4109T**

**40HP,3520RPM,3PH,60HZ,324JM,1050M,TEFC,F**

Part Detail							
Revision:	H	Status:	PRD/A	Change #:		Proprietary:	No
Type:	AC	Prod. Type:	1050M	Elec. Spec:	10WGX657	CD Diagram:	
Enclosure:	TEFC	Mfg Plant:		Mech. Spec:	10F606	Layout:	
Frame:	324JM	Mounting:	F1	Poles:	02	Created Date:	03-23-2007
Base:	RG	Rotation:	R	Insulation:	F	Eff. Date:	06-09-2010
Leads:	9#8	Literature:		Elec. Diagram:		Replaced By:	

Nameplate NP1256L									
CAT.NO.	JMM4109T								
SPEC.	10F606X657								
HP	40								
VOLTS	230/460								
AMP	90/45								
RPM	3520								
FRAME	324JM	HZ			60	PH	3		
SER.F.	1.15	CODE			H	DES	B	CLASS	F
NEMA-NOM-EFF	91.7	PF			90				
RATING	40C AMB-CONT								
CC	010A	USABLE AT 208V			100				
DE	6312	ODE			6309				
ENCL	TEFC	SN							

Parts List		
Part Number	Description	Quantity
SA155720	SA 10F606X657	1.000 EA
RA144350	RA 10F606X657	1.000 EA
09FN3001C02	EXTERNAL FAN, PLASTIC	1.000 EA
10CB3001	CONDUIT BOX CAST W/2.500 LEAD HOLE	1.000 EA
12GS1000SP	GASKET	1.000 EA
10XN3118K12	5/16-18 X .75 GRADE 5, ZINC PLATED	4.000 EA
HW1001A31	LOCKWASHER 5/16, ZINC PLT.591 OD, .319 I	4.000 EA
WD1000B16	KPA-4C BURNDY TERMINAL	1.000 EA
51XF2520A08	SCREW, HEX SER SLT HD, ZN 1/4-20 X .50 L	1.000 EA
10EP1106A01	FR ENDPLATE, MACH	1.000 EA
XY3816A12	3/8-16 FINISHED NUT	4.000 EA
HW1001A38	LOCKWASHER 3/8, ZINC PLT .688 OD, .382 I	4.000 EA
HW5100A11	W3917-042 WVY WSHR (WB)	1.000 EA
10XN2520K36	1/4-20 X 2.25" HX HD SCRWGRADE 5, ZINC P	2.000 EA
HW1001A25	LOCKWASHER 1/4, ZINC PLT .493 OD, .255 I	2.000 EA
10XN3118K44	5/16-18 X 2.75" HEX HD, GRADE 5	4.000 EA
HW1001A31	LOCKWASHER 5/16, ZINC PLT.591 OD, .319 I	4.000 EA
10EP1304A01	PU ENDPLATE, MACH	1.000 EA
HA3113A15	THRUBOLT 3/8-16 X 18.875 W/3.50 THD LENG	4.000 EA
HW1001A38	LOCKWASHER 3/8, ZINC PLT .688 OD, .382 I	4.000 EA
10FH4000	310 FAN HOUSING STAMPED	1.000 EA
10XN2520K08	1/4-20 X .50 GRADE #5, STL, ZINC PLATE	4.000 EA
HW1001A25	LOCKWASHER 1/4, ZINC PLT .493 OD, .255 I	4.000 EA
10CB3500SP	CONDUIT BOX LID, CAST	1.000 EA

Parts List (continued)		
Part Number	Description	Quantity
10GS1000SP	GASKET, CONDUIT BOX LID	1.000 EA
51XW2520A12	.25-20 X .75, TAPTITE II, HEX WSHR SLTD	4.000 EA
HW4600B41	V-RING SLINGER 2.125 X 2.880 X 0.280	1.000 EA
HW2501E21	KEY, 1/4 SQ X 2.375	1.000 EA
LB1115	LABEL,LIFTING DEVICE	1.000 EA
LB5040	INSTRUCTION TAG, AC & DC	1.000 EA
HW4500A21	1618BALEMITE FITTING 825 UNIVERSAL	1.000 EA
HA4017A01	1/8 X 4 GREASE EXT (F/S)	1.000 EA
HW4500A17	317400 ALEMITE GREASE RELIEF	1.000 EA
HA4001A01SP	DRAIN PLUG, PLASTIC (MICRO PLAS)	1.000 EA
HA4051A00	PLASTIC CAP FOR GREASE FITTING	1.000 EA
MJ1000A75	GREASE, POLYREX EM EXXON	0.130 LB
HW4500A03	GREASE FITTING, .125 NPT 1610(ALEMITE) 8	1.000 EA
HW4500A17	317400 ALEMITE GREASE RELIEF	1.000 EA
HA4001A01SP	DRAIN PLUG, PLASTIC (MICRO PLAS)	1.000 EA
HA4051A00	PLASTIC CAP FOR GREASE FITTING	1.000 EA
HW2500A25	WOODRUFF KEY USA #1008 #BLOW CARBON STEE	1.000 EA
51XB1214A20	12-14X1.25 HXWSSLD SERTYB	1.000 EA
MG1000G27	PAINT- S9282E CHARCOAL GREY 55 GALLONS	0.070 GA
85XU0407A04	#4-7 X 1/4 DRIVE PIN	2.000 EA
LB1119	WARNING LABEL	1.000 EA
LB1125C01	STD (STOCK) CARTON LABEL BALDOR WITH FLA	4.000 EA
LC0181	CONNECTION LABEL	1.000 EA
NP1256L	ALUM, UL CSA CC, W/O THERMAL, LASER	1.000 EA

Parts List (continued)		
Part Number	Description	Quantity
12PA1000	PACKAGING GROUP COMBINED PRINT PK1024A06	1.000 EA

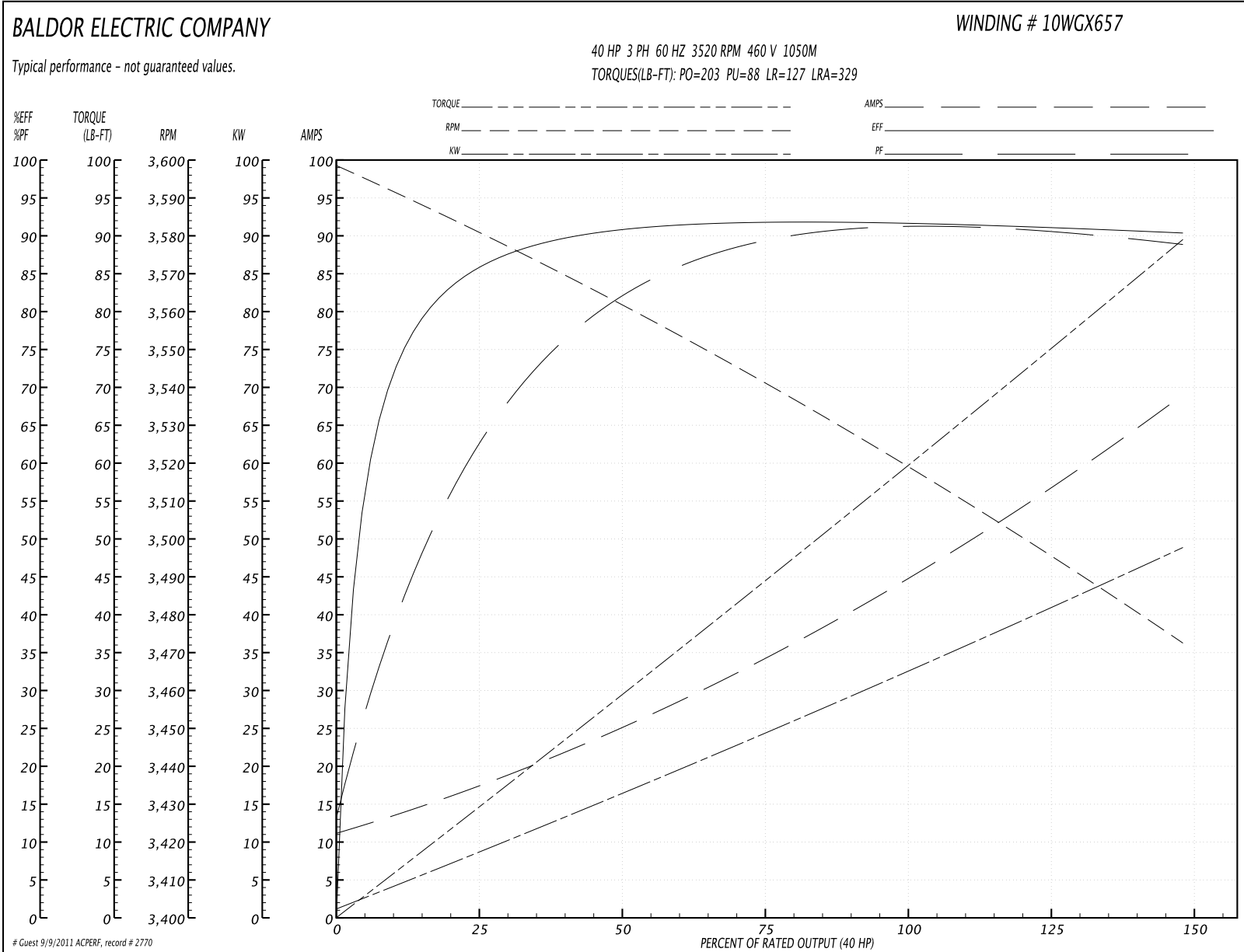
**Performance Data at 460V, 60Hz, 40.0HP (Typical performance - Not guaranteed values)**
**General Characteristics**

<b>Full Load Torque:</b>	59.7 LB-FT	<b>Start Configuration:</b>	DOL
<b>No-Load Current:</b>	11.88 Amps	<b>Break-Down Torque:</b>	203.0 LB-FT
<b>Line-line Res. @ 25°C.:</b>	0.152 Ohms A Ph / 0.0 Ohms B Ph	<b>Pull-Up Torque:</b>	88.0 LB-FT
<b>Temp. Rise @ Rated Load:</b>	78 C	<b>Locked-Rotor Torque:</b>	127.0 LB-FT
<b>Temp. Rise @ S.F. Load:</b>	93 C	<b>Starting Current:</b>	329.0 Amps

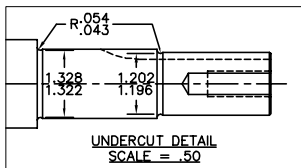
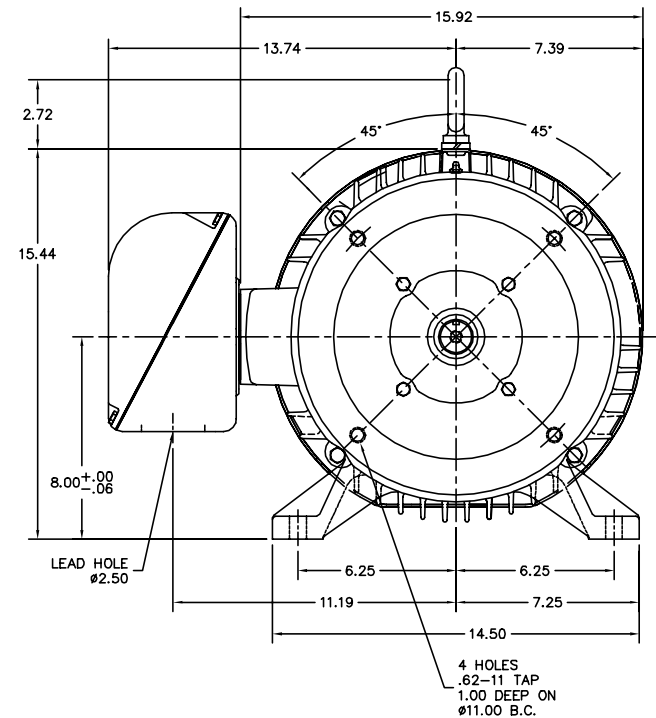
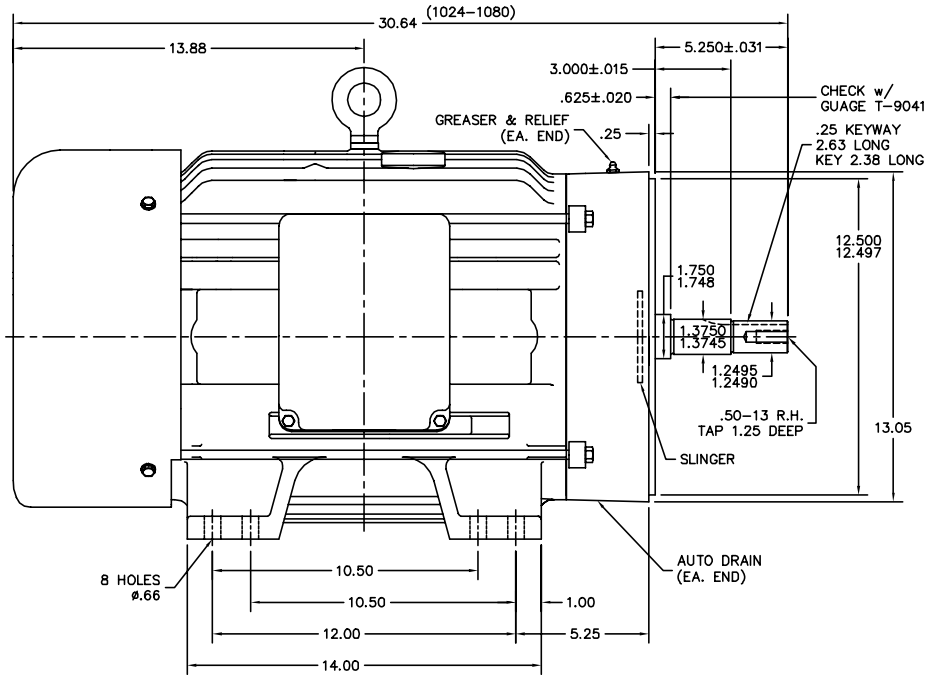
**Load Characteristics**

<b>% of Rated Load</b>	<b>25</b>	<b>50</b>	<b>75</b>	<b>100</b>	<b>125</b>	<b>150</b>	<b>S.F.</b>
<b>Power Factor:</b>	66.0	83.0	88.0	90.0	91.0	91.0	91.0
<b>Efficiency:</b>	85.5	90.8	91.8	91.7	91.2	90.3	91.4
<b>Speed:</b>	3580.0	3561.0	3541.0	3519.0	3497.0	3472.0	3506.0
<b>Line Amperes:</b>	16.49	24.94	34.8	45.4	56.4	68.7	52.0

Performance Graph at 460V, 60Hz, 40.0HP Typical performance - Not guaranteed values



10LYF606



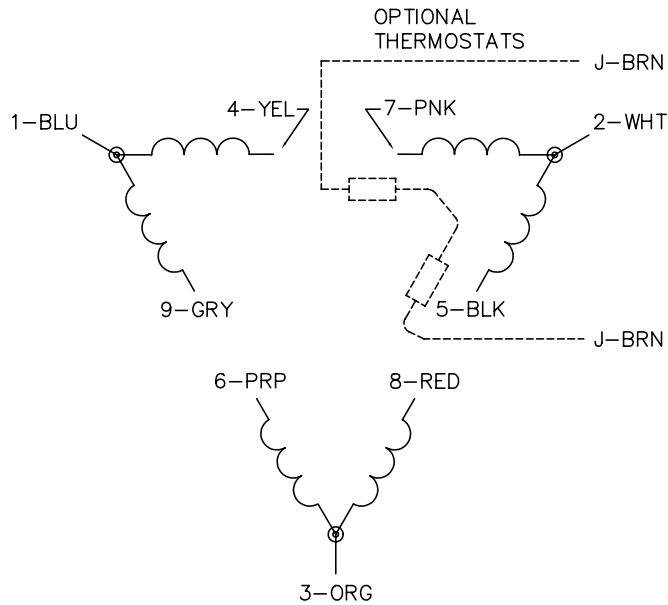
CUSTOMER IS RESPONSIBLE FOR DETERMINING THAT MOTOR PERFORMANCE IS SUITABLE IN THE APPLICATION.

REV. DESC: CHG'D THRU BOLT "HA3113A11" TO "HA3113A15"	TDR: 317757
REV. LTR: C BY: NKH REVISED: 15:08:18 11/14/2003	REF: 10LYF606
FILE: AAA00107589	
MTL: -	

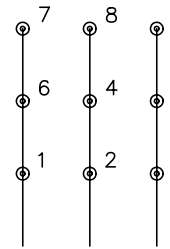
<b>BALDOR ELECTRIC Co.</b>
STD HORZ TEFC 324-6JM W/STAMPED FAN COVER

10LYF606

CD0180

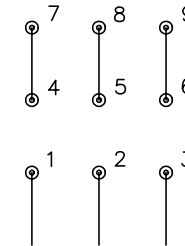


LOW VOLTAGE  
(2D)



LINE

HIGH VOLTAGE  
(1D)



LINE

NOTES:

1. INTERCHANGE ANY TWO LINE LEADS TO REVERSE ROTATION.
2. OPTIONAL THERMOSTATS ARE PROVIDED WHEN SPECIFIED.
3. ACTUAL NUMBER OF INTERNAL PARALLEL CIRCUITS MAY BE A MULTIPLE OF THOSE SHOWN ABOVE.
4. LEAD COLORS ARE OPTIONAL. LEADS MUST ALWAYS BE NUMBERED AS SHOWN.

REV. DESC: REVISE TO SHOW OPTIONAL COLORS

REV. LTR: C BY: JLP

REVISED: 01/21/99 2:28

TDR: 0171435

0810D0

FILE: AAA00005148

MDL: -

MTL: -

**BALDOR ELECTRIC Co.**

3PH, DV, 9 LEADS, DELTA CONNECTION

CD0180