

# **BALDOR® • RELIANCE**

**Product Information Packet**

**ELECTRIC MOTOR WHOLESAL.COM**

**JMWDM3546T**

**1HP,1740RPM,3PH,60HZ,143JM,3518M,TENV,F1**

Part Detail							
Revision:	-	Status:	PRD/A	Change #:		Proprietary:	No
Type:	AC	Prod. Type:	3518M	Elec. Spec:	35WGP439	CD Diagram:	
Enclosure:	TENV	Mfg Plant:		Mech. Spec:	35Z956	Layout:	
Frame:	143JM	Mounting:	F1	Poles:	04	Created Date:	11-21-2011
Base:	RG	Rotation:	R	Insulation:	F	Eff. Date:	12-08-2011
Leads:	9#18	Literature:		Elec. Diagram:		Replaced By:	

**Nameplate NP1496L**

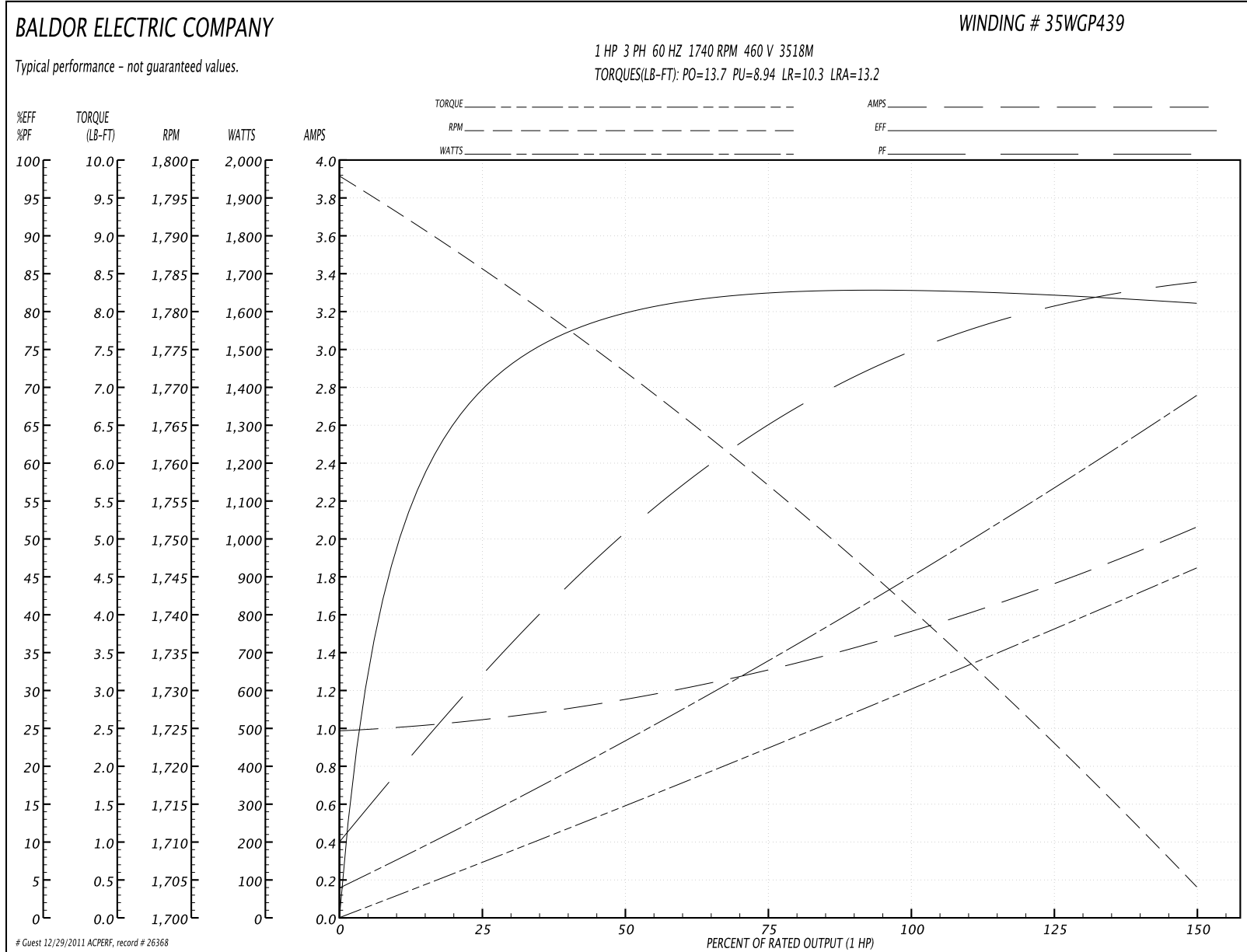
CAT.NO.	JMWDM3546T						
SPEC.	35Z956P439G1						
HP	1						
VOLTS	208-230/460						
AMP	3.2-3/1.5						
RPM	1740						
FRAME	143JM	HZ	60	PH	3		
SER.F.	1.15	CODE	M	DES	B	CLASS	F
NEMA-NOM-EFF	82.5	PF	74				
RATING	40C AMB-CONT						
CC		USABLE AT 208V					
DE	6206	ODE	6203				
ENCL	TENV	SN					

Parts List		
Part Number	Description	Quantity
SA235361	SA 35Z956P439G1	1.000 EA
RA222323	RA 35Z956P439G1	1.000 EA
NS2512A01	INSULATOR, CONDUIT BOX X	1.000 EA
35CB3010A01W	35 CB .75 NPT @ 6:00, WHITE EPOXY	1.000 EA
35GS1039	05 MOLDED GASKET W/LIP, 1.12 LEAD HOLE,	1.000 EA
51XB1016A07	10-16 X 7/16 HXWSSLD SERTYB	2.000 EA
11XW1032G06	10-32 X .38, TAPTITE II, HEX WSHR SLTD U	1.000 EA
35EP3100A95MWSP	SPL FR ENDPLATE -TENV- SP.#9 (WHITE EPOX	1.000 EA
HW4032A01	BLUE DRAIN PLUG FOR WASH DOWN MOTORS	3.000 EA
HW5100A03SP	WAVY WASHER (W1543-017)	1.000 EA
35EP3401T07MW	PU EP FOR SEAL W/"O" DRILLS & NO GRS, W/	1.000 EA
HW4600B50SP	SEAL 1.156 X 1.874 X 0.250 SINGLE LIP DB	1.000 EA
HW4032A01	BLUE DRAIN PLUG FOR WASH DOWN MOTORS	3.000 EA
10XN1032S16	10-32X1 HEX HEAD S STEEL	2.000 EA
35CB4522	35 LIPPED CB LID AUTOPHORETIC	1.000 EA
35GS1030A02	35 GS FOR CB LID - WHITE NEOPRENE	1.000 EA
59XW0832S07	TAPTITE II,HEX WSHR UNSLTD SER,410 S.S.,	4.000 EA
HW4600B36SP	V-RING SLINGER 1.188 X 1.690 X 0.240	1.000 EA
HW2502D13	SS KEY, 3/16 SQ X 1.375	1.000 EA
HA7000A01	KEY RETAINER 7/8" DIA SHAFT	1.000 EA
MJ5001A01	46-665 RED SEALER	0.001 QT
85XU0407S04	4X1/4 U DRIVE PIN STAINLESS	2.000 EA
LB1164	LABEL,WARNING AND DRAIN	1.000 EA
35EP3100A95MWSP	SPL FR ENDPLATE -TENV- SP.#9 (WHITE EPOX	1.000 EA

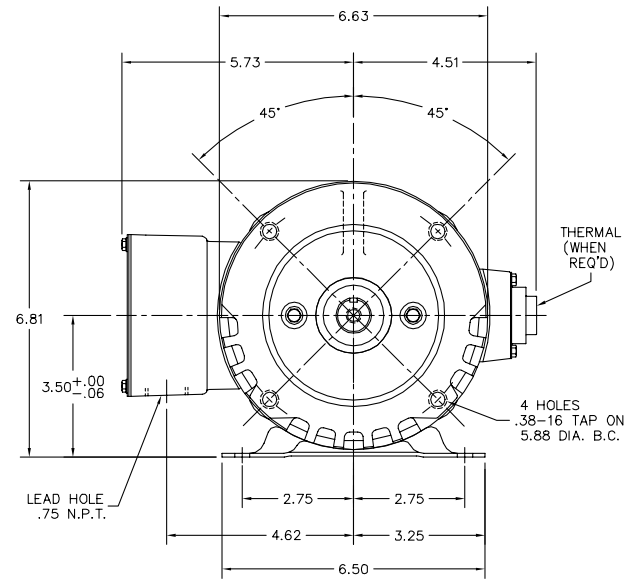
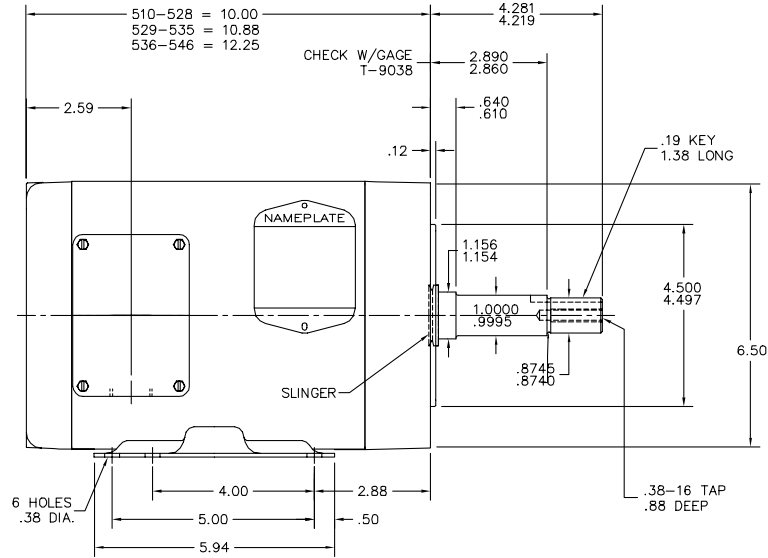
Parts List (continued)		
Part Number	Description	Quantity
MJ1000A75	GREASE, POLYREX EM EXXON	0.050 LB
35EP3401T07MW	PU EP FOR SEAL W/"O" DRILLS & NO GRS, W/	1.000 EA
MG1025Z20	ACTIVATOR WILKOFAS 060.32	0.010 GA
MG1025W11	PAINT- 781-101 WILKOFAS WHITE EPOXY	0.017 GA
HA3100S07	THRUBOLT 10-32 X 8.375 SS	4.000 EA
LB1125C01	STD (STOCK) CARTON LABEL BALDOR WITH FLA	1.000 EA
LC0005	CONN.DIA.,TY M,9-LD,DUAL VOLT,REVERSING	1.000 EA
NP1496L	WD, SS, UL CSA CC, W/O THERMAL, LASER	1.000 EA
36PA1000	PACK GROUP W/LB5001	1.000 EA

Performance Data at 460V, 60Hz, 1.0HP (Typical performance - Not guaranteed values)							
General Characteristics							
Full Load Torque:	2.99 LB-FT			Start Configuration:	DOL		
No-Load Current:	0.997 Amps			Break-Down Torque:	13.7 LB-FT		
Line-line Res. @ 25°C.:	16.0 Ohms A Ph / 0.0 Ohms B Ph			Pull-Up Torque:	8.94 LB-FT		
Temp. Rise @ Rated Load:	79 C			Locked-Rotor Torque:	10.3 LB-FT		
Temp. Rise @ S.F. Load:	98 C			Starting Current:	13.2 Amps		
Load Characteristics							
% of Rated Load	25	50	75	100	125	150	S.F.
Power Factor:	33.0	51.0	65.0	74.0	80.0	84.0	78.0
Efficiency:	69.7	79.7	82.6	83.2	82.5	81.1	82.8
Speed:	1786.0	1771.0	1757.0	1742.0	1723.0	1704.0	1731.0
Line Amperes:	1.03	1.15	1.32	1.51	1.76	2.06	1.66

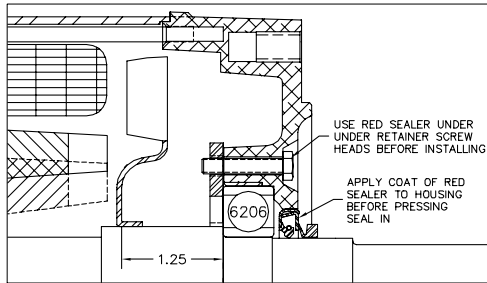
Performance Graph at 460V, 60Hz, 1.0HP Typical performance - Not guaranteed values



35LYZ956



PULLEY END DETAIL



CUSTOMER IS RESPONSIBLE FOR DETERMINING THAT BALDOR'S PRODUCT WILL PERFORM SUITABLY IN THE INTENDED APPLICATION.

REV. DESC: NEW	VERSION: 00	TDR: 000000721200
REV. LTR: -	REVISED: 03:48:10 11/21/2011	BY: ENTANW0
FILE: \AAA\00187\079		
MTL: -		

**BALDOR**

STD HORZ 143-5JM TENV 35M WD W/.75 N.P.T. LH

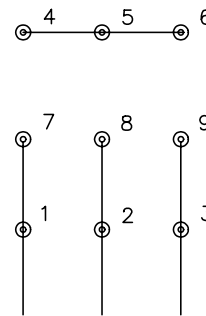
SH 1 of 1

35LYZ956

CD0005

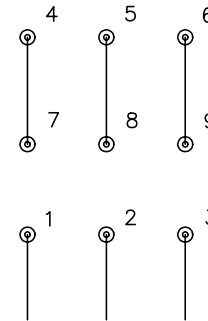


LOW VOLTAGE  
(2Y)



LINE

HIGH VOLTAGE  
(1Y)



LINE

NOTES:

1. INTERCHANGE ANY TWO LINE LEADS TO REVERSE ROTATION.
2. OPTIONAL THERMOSTATS ARE PROVIDED WHEN SPECIFIED.
3. ACTUAL NUMBER OF INTERNAL PARALLEL CIRCUITS MAY BE A MULTIPLE OF THOSE SHOWN ABOVE.
4. LEAD COLORS ARE OPTIONAL. LEADS MUST ALWAYS BE NUMBERED AS SHOWN.

REV. DESC: REVISE TO SHOW OPTIONAL COLORS			
REV. LTR: E	BY: JLP	REVISED: 01/19/99 10:15	TDR: 0171435
900000		FILE: AAA00005140	MDL: -
		MTL: -	

**BALDOR ELECTRIC Co.**

3PH, DV, 9 LEADS

CD0005