

# **BALDOR® • RELIANCE**

**Product Information Packet**

**ELECTRIC MOTOR WHOLESAL.COM**

**JMWDM3554T**

**1.5HP, 1755RPM, 3PH, 60HZ, 145JM, 3526M, TENV**

| Part Detail |       |             |       |                |          |               |            |
|-------------|-------|-------------|-------|----------------|----------|---------------|------------|
| Revision:   | -     | Status:     | PRD/A | Change #:      |          | Proprietary:  | No         |
| Type:       | AC    | Prod. Type: | 3526M | Elec. Spec:    | 35WGP689 | CD Diagram:   |            |
| Enclosure:  | TENV  | Mfg Plant:  |       | Mech. Spec:    | 35Z956   | Layout:       |            |
| Frame:      | 145JM | Mounting:   | F1    | Poles:         | 04       | Created Date: | 11-21-2011 |
| Base:       | RG    | Rotation:   | R     | Insulation:    | F        | Eff. Date:    | 12-07-2011 |
| Leads:      | 9#18  | Literature: |       | Elec. Diagram: |          | Replaced By:  |            |

**Nameplate NP1496L**

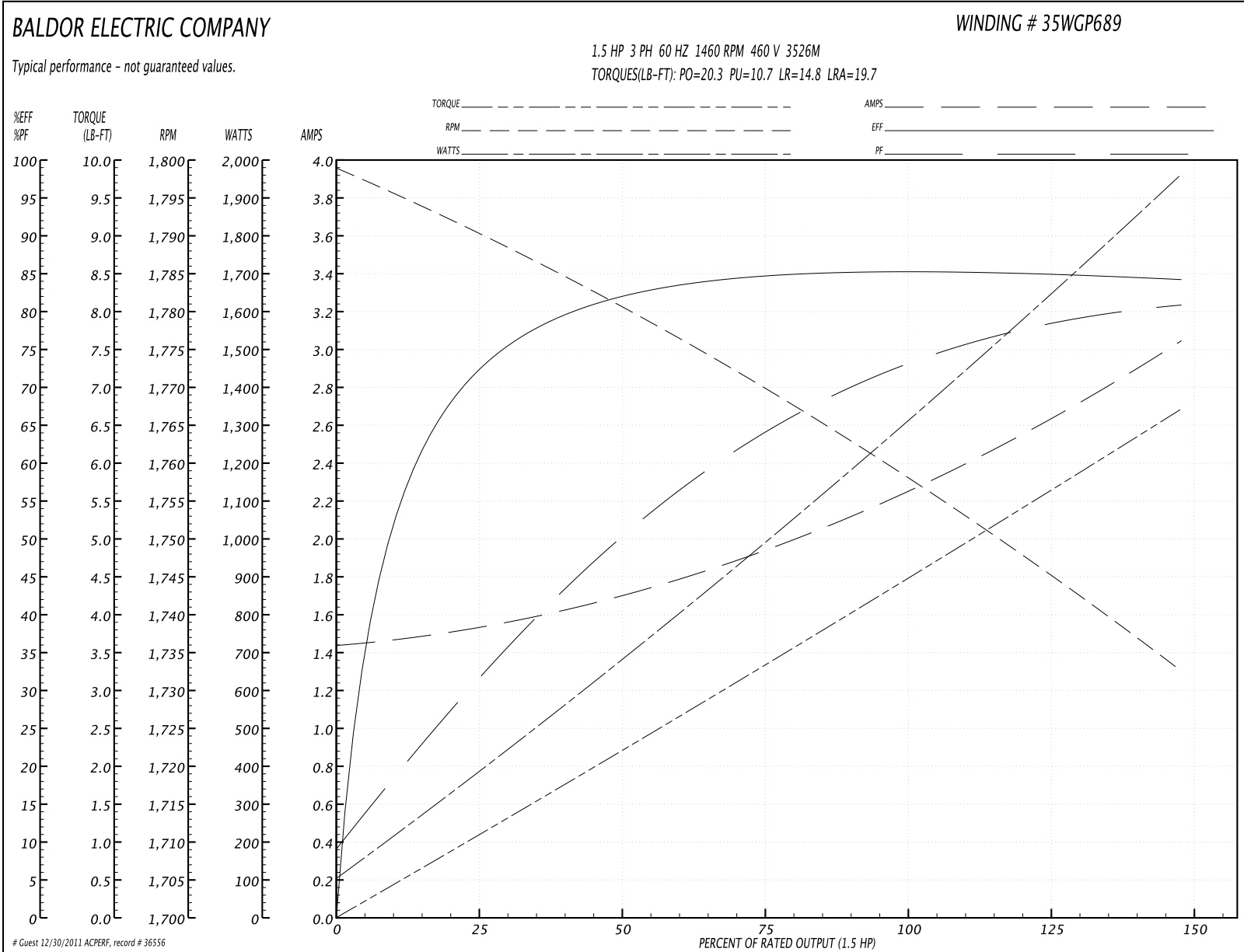
|              |              |      |                |     |   |       |   |
|--------------|--------------|------|----------------|-----|---|-------|---|
| CAT.NO.      | JMWDM3554T   |      |                |     |   |       |   |
| SPEC.        | 35Z956P689G1 |      |                |     |   |       |   |
| HP           | 1.5          |      |                |     |   |       |   |
| VOLTS        | 208-230/460  |      |                |     |   |       |   |
| AMP          | 4.9-4.5/2.25 |      |                |     |   |       |   |
| RPM          | 1755         |      |                |     |   |       |   |
| FRAME        | 145JM        | HZ   | 60             | PH  | 3 |       |   |
| SER.F.       | 1.00         | CODE | M              | DES | B | CLASS | F |
| NEMA-NOM-EFF | 85.5         | PF   | 72             |     |   |       |   |
| RATING       | 40C AMB-CONT |      |                |     |   |       |   |
| CC           |              |      | USABLE AT 208V |     |   |       |   |
| DE           | 6206         | ODE  | 6203           |     |   |       |   |
| ENCL         | TENV         | SN   |                |     |   |       |   |
|              |              |      |                |     |   |       |   |

| Parts List      |  |          |
|-----------------|--|----------|
| Part Number     | Description                              | Quantity |
| SA234582        | SA 35Z956P689G1                          | 1.000 EA |
| RA221554        | RA 35Z956P689G1                          | 1.000 EA |
| NS2512A01       | INSULATOR, CONDUIT BOX X                 | 1.000 EA |
| 35CB3010A01W    | 35 CB .75 NPT @ 6:00, WHITE EPOXY        | 1.000 EA |
| 35GS1039        | 05 MOLDED GASKET W/LIP, 1.12 LEAD HOLE,  | 1.000 EA |
| 51XB1016A07     | 10-16 X 7/16 HXWSSLD SERTYB              | 2.000 EA |
| 11XW1032G06     | 10-32 X .38, TAPTITE II, HEX WSHR SLTD U | 1.000 EA |
| HW4032A01       | BLUE DRAIN PLUG FOR WASH DOWN MOTORS     | 3.000 EA |
| HW5100A03SP     | WAVY WASHER (W1543-017)                  | 1.000 EA |
| HW4600B50SP     | SEAL 1.156 X 1.874 X 0.250 SINGLE LIP DB | 1.000 EA |
| HW4032A01       | BLUE DRAIN PLUG FOR WASH DOWN MOTORS     | 3.000 EA |
| 10XN1032S16     | 10-32X1 HEX HEAD S STEEL                 | 2.000 EA |
| 35CB4522        | 35 LIPPED CB LID AUTOPHORETIC            | 1.000 EA |
| 35GS1030A02     | 35 GS FOR CB LID - WHITE NEOPRENE        | 1.000 EA |
| 59XW0832S07     | TAPTITE II,HEX WSHR UNSLTD SER,410 S.S., | 4.000 EA |
| HW4600B36SP     | V-RING SLINGER 1.188 X 1.690 X 0.240     | 1.000 EA |
| HW2502D13       | SS KEY, 3/16 SQ X 1.375                  | 1.000 EA |
| HA7000A01       | KEY RETAINER 7/8" DIA SHAFT              | 1.000 EA |
| MJ5001A01       | 46-665 RED SEALER                        | 0.001 QT |
| 85XU0407S04     | 4X1/4 U DRIVE PIN STAINLESS              | 2.000 EA |
| LB1164          | LABEL,WARNING AND DRAIN                  | 1.000 EA |
| 35EP3100A95MWSP | SPL FR ENDPLATE -TENV- SP.#9 (WHITE EPOX | 1.000 EA |
| MJ1000A75       | GREASE, POLYREX EM EXXON                 | 0.050 LB |
| 35EP3401T07MW   | PU EP FOR SEAL W/"O" DRILLS & NO GRS, W/ | 1.000 EA |

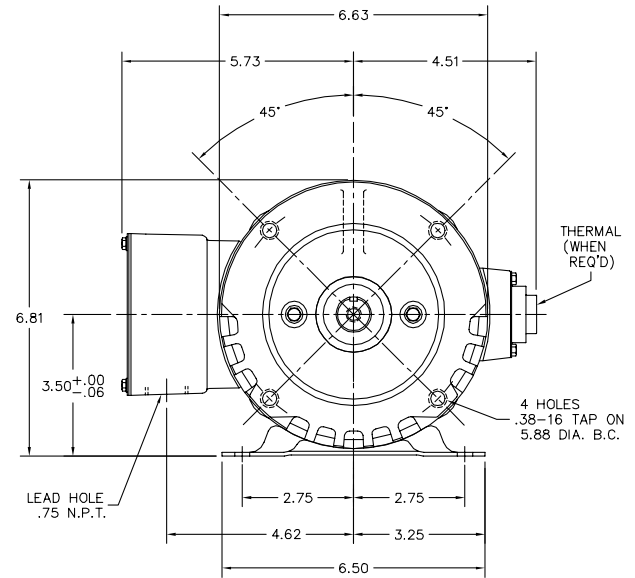
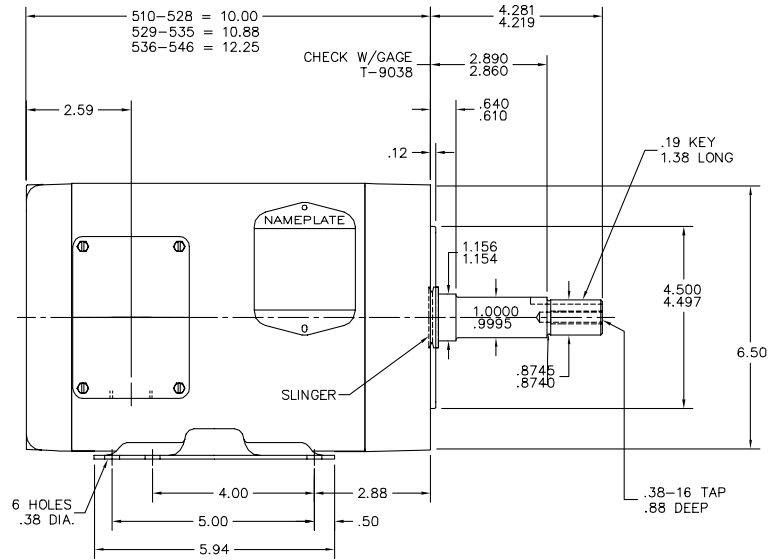
| Parts List (continued) |  |          |
|------------------------|--|----------|
| Part Number            | Description                              | Quantity |
| MG1025Z20              | ACTIVATOR WILKOFAST 060.32               | 0.010 GA |
| MG1025W11              | PAINT- 781-101 WILKOFAST WHITE EPOXY     | 0.017 GA |
| HA3100S07              | THRUBOLT 10-32 X 8.375 SS                | 4.000 EA |
| LB1125C01              | STD (STOCK) CARTON LABEL BALDOR WITH FLA | 1.000 EA |
| LC0005                 | CONN.DIA.,TY M,9-LD,DUAL VOLT,REVERSING  | 1.000 EA |
| NP1496L                | WD, SS, UL CSA CC, W/O THERMAL, LASER    | 1.000 EA |
| 36PA1000               | PACK GROUP W/LB5001                      | 1.000 EA |

| Performance Data at 460V, 60Hz, 1.5HP (Typical performance - Not guaranteed values) |                                |        |        |                      |            |        |        |
|---|--------------------------------|--------|--------|----------------------|------------|--------|--------|
| General Characteristics   |                                |        |        |                      |            |        |        |
| Full Load Torque:   | 4.41 LB-FT                     |        |        | Start Configuration: | DOL        |        |        |
| No-Load Current:  | 1.45 Amps                      |        |        | Break-Down Torque:   | 20.3 LB-FT |        |        |
| Line-line Res. @ 25°C.:   | 9.24 Ohms A Ph / 0.0 Ohms B Ph |        |        | Pull-Up Torque:      | 10.7 LB-FT |        |        |
| Temp. Rise @ Rated Load:  | 82 C                           |        |        | Locked-Rotor Torque: | 14.8 LB-FT |        |        |
| Temp. Rise @ S.F. Load:   | 95 C                           |        |        | Starting Current:    | 19.7 Amps  |        |        |
| Load Characteristics  |                                |        |        |                      |            |        |        |
| % of Rated Load   | 25                             | 50     | 75     | 100                  | 125        | 150    | S.F.   |
| Power Factor:   | 31.0                           | 49.0   | 63.0   | 72.0                 | 78.0       | 81.0   | 76.0   |
| Efficiency:   | 71.3                           | 81.4   | 84.5   | 85.4                 | 85.2       | 84.1   | 85.3   |
| Speed:  | 1791.0                         | 1781.0 | 1770.0 | 1759.0               | 1747.0     | 1732.0 | 1752.0 |
| Line Amperes:   | 1.51                           | 1.68   | 1.93   | 2.24                 | 2.61       | 3.04   | 2.46   |

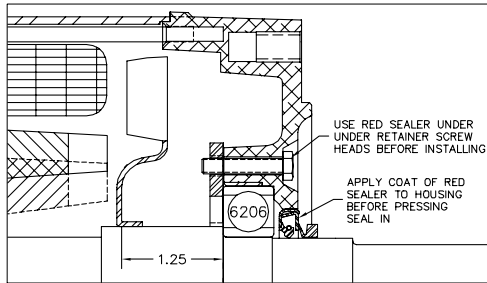
Performance Graph at 460V, 60Hz, 1.5HP Typical performance - Not guaranteed values



35LYZ956



PULLEY END DETAIL



CUSTOMER IS RESPONSIBLE FOR DETERMINING THAT BALDOR'S PRODUCT WILL PERFORM SUITABLY IN THE INTENDED APPLICATION.

|                      |                              |                   |
|----------------------|------------------------------|-------------------|
| REV. DESC: NEW       | VERSION: 00                  | TDR: 000000721200 |
| REV. LTR: -          | REVISED: 03:48:10 11/21/2011 | BY: ENTANW0       |
| FILE: \AAA\00187\079 |                              |                   |
| MTL: -               |                              |                   |

**BALDOR**

STD HORZ 143-5JM TENV 35M WD W/.75 N.P.T. LH

SH 1 of 1

35LYZ956

CD0005



LOW VOLTAGE  
(2Y)



LINE

HIGH VOLTAGE  
(1Y)



LINE

NOTES:

1. INTERCHANGE ANY TWO LINE LEADS TO REVERSE ROTATION.
2. OPTIONAL THERMOSTATS ARE PROVIDED WHEN SPECIFIED.
3. ACTUAL NUMBER OF INTERNAL PARALLEL CIRCUITS MAY BE A MULTIPLE OF THOSE SHOWN ABOVE.
4. LEAD COLORS ARE OPTIONAL. LEADS MUST ALWAYS BE NUMBERED AS SHOWN.

|   |         |                         |              |
|---|---------|-------------------------|--------------|
| REV. DESC: REVISE TO SHOW OPTIONAL COLORS |         |                         |              |
| REV. LTR: E                               | BY: JLP | REVISED: 01/19/99 10:15 | TDR: 0171435 |
| 900000                                    |         | FILE: AAA00005140       | MDL: -       |
|   |         | MTL: -                  |              |

**BALDOR ELECTRIC Co.**

3PH, DV, 9 LEADS

CD0005