

BALDOR® • RELIANCE

Product Information Packet

ELECTRIC MOTOR WHOLESAL.COM

JMWDM3611T

3HP,1750RPM,3PH,60HZ,182JM,3542M,TEFC,F1

Part Detail							
Revision:	-	Status:	PRD/A	Change #:		Proprietary:	No
Type:	AC	Prod. Type:	3542M	Elec. Spec:	35WGP797	CD Diagram:	
Enclosure:	TEFC	Mfg Plant:		Mech. Spec:	35L844	Layout:	
Frame:	182JM	Mounting:	F1	Poles:	04	Created Date:	10-17-2011
Base:	RG	Rotation:	R	Insulation:	F	Eff. Date:	10-21-2011
Leads:	9#18	Literature:		Elec. Diagram:		Replaced By:	

Nameplate NP1496L

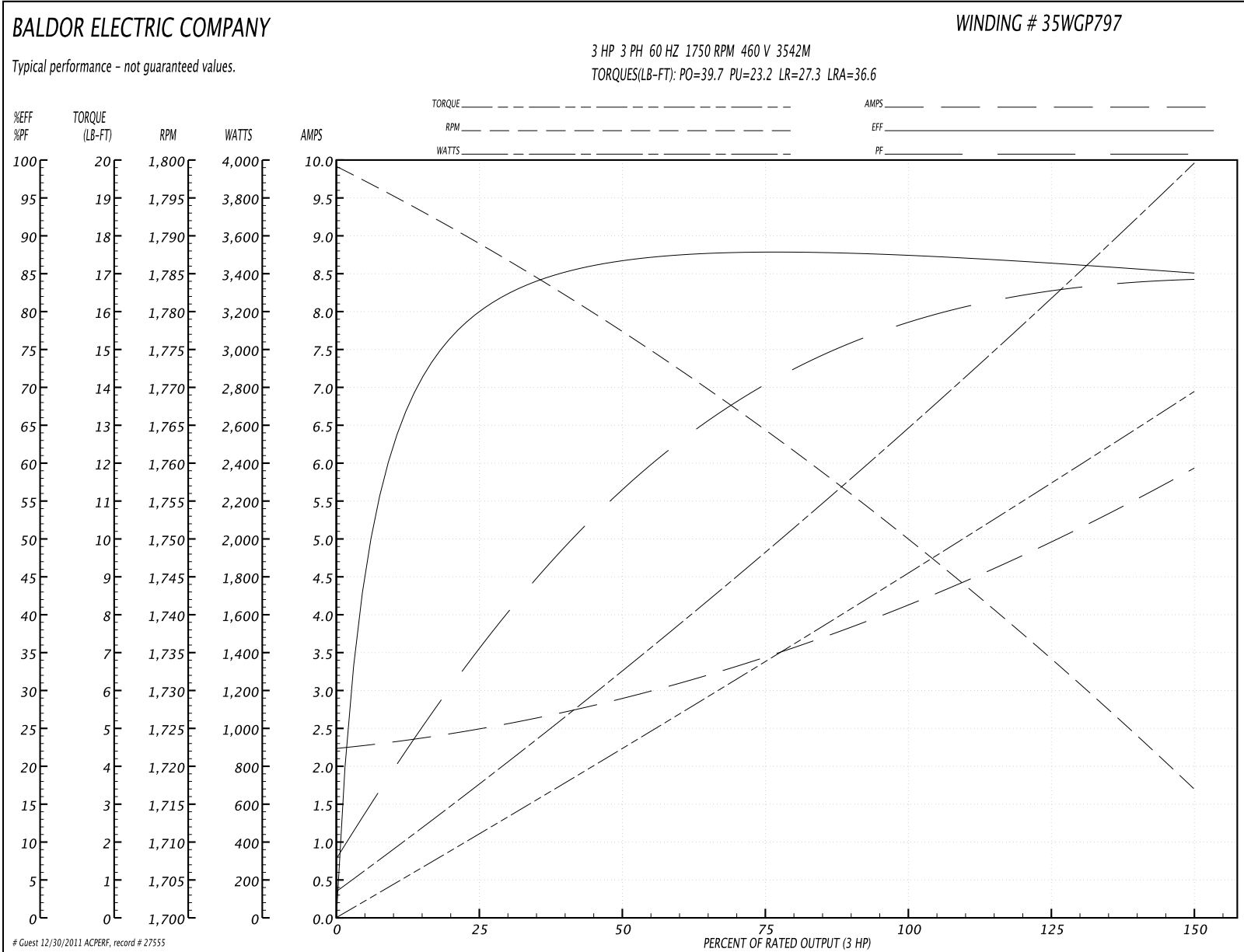
CAT.NO.	JMWDM3611T						
SPEC.	35L844P797H1						
HP	3						
VOLTS	208-230/460						
AMP	9.1-8.4/4.2						
RPM	1750						
FRAME	182JM	HZ	60	PH	3		
SER.F.	1.15	CODE	L	DES	A	CLASS	F
NEMA-NOM-EFF	87.5	PF	78				
RATING	40C AMB-CONT						
CC	010A	USABLE AT 208V					
DE	6207	ODE	6203				
ENCL	TEFC	SN					

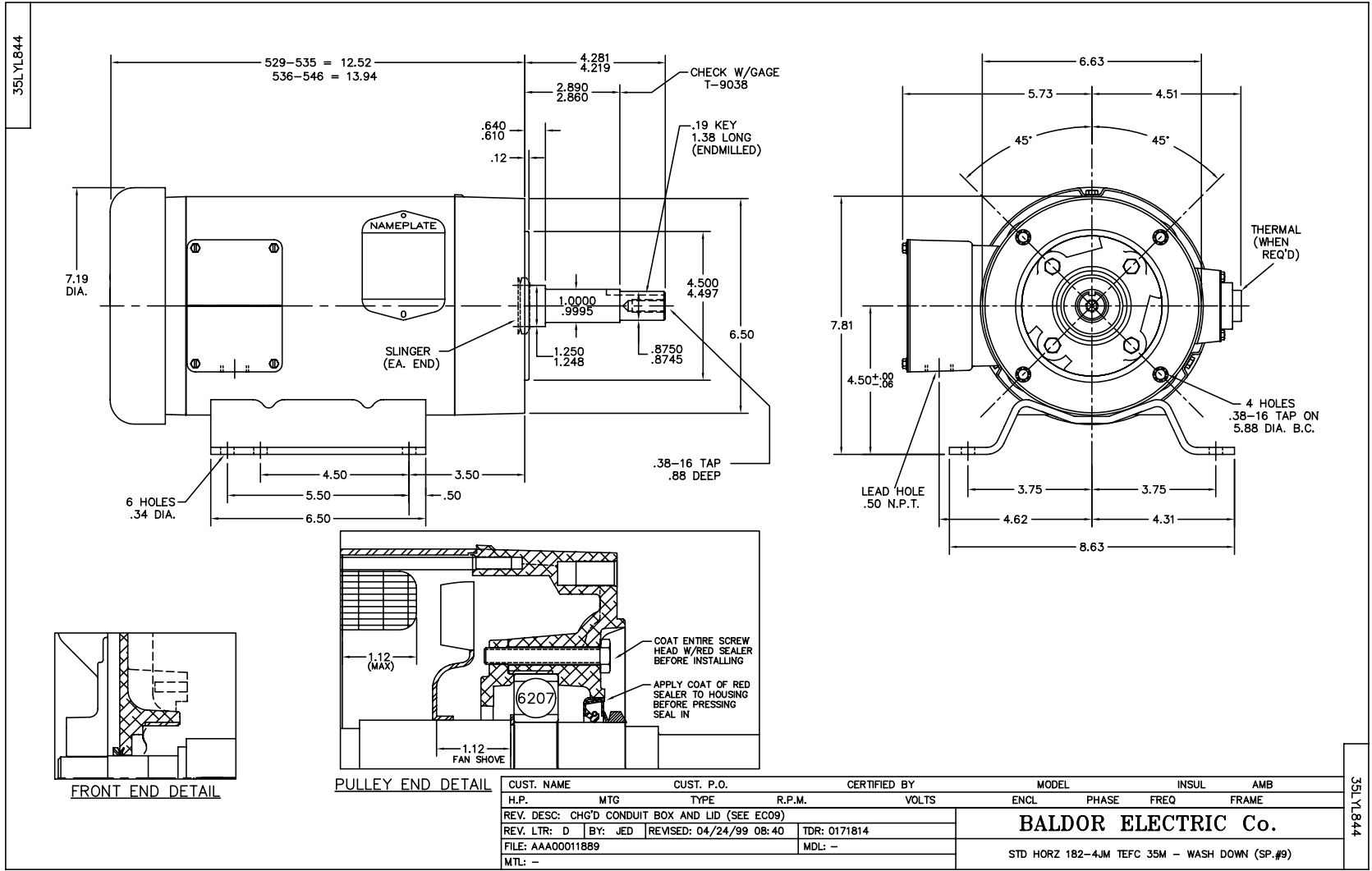
Parts List		
Part Number	Description	Quantity
SA232644	SA 35L844P797H1	1.000 EA
RA219647	RA 35L844P797H1	1.000 EA
35FN3002A05SP	EXFN, PLASTIC, 6.376 OD, .638 ID	1.000 EA
NS2512A01	INSULATOR, CONDUIT BOX X	1.000 EA
35CB3008A01W	35 CB .50 NPT @ 6, MACH WHITE EPOXY	1.000 EA
35GS1039	05 MOLDED GASKET W/LIP, 1.12 LEAD HOLE,	1.000 EA
51XB1016A07	10-16 X 7/16 HXWSSLD SERTYB	2.000 EA
11XW1032G06	10-32 X .38, TAPTITE II, HEX WSHR SLTD U	1.000 EA
35EP3100M04MW	FREP TEFC,"O" DRILLS,NO GRSR, MACH.WHITE	1.000 EA
HW4032A01	BLUE DRAIN PLUG FOR WASH DOWN MOTORS	3.000 EA
HW5100A03SP	WAVY WASHER (W1543-017)	1.000 EA
35EP3305A09MW	PU EP 207 BRG. WHITE EPOXY (4)"0"DRILLS	1.000 EA
HW4032A01	BLUE DRAIN PLUG FOR WASH DOWN MOTORS	3.000 EA
HW4600B51SP	SEAL 1.375 X 2.125 X 0.313 SINGLE LIP DB	1.000 EA
10XN2520S28	1/4-20X 1 3/4 HEX HD SS X	4.000 EA
51XB1214A16	12-14X1.00 HXWSSLD SERTYB	1.000 EA
35FH4005A32SP	IEC FH NO GRSR W/3 HOLES - W/AUTOPHERETI	1.000 EA
11XW1032S06	10-32 X .38, TAPTITE II, HEX WSHR SLTD U	3.000 EA
HW4600B39SP	SEAL 0.550 X .790 X .180 FACE SEALING	1.000 EA
HW4600B33	V-RING SLINGER 1.375 X 1.890 X 0.350	1.000 EA
35CB4522	35 LIPPED CB LID AUTOPHORETIC	1.000 EA
35GS1030A02	35 GS FOR CB LID - WHITE NEOPRENE	1.000 EA
59XW0832S07	TAPTITE II,HEX WSHR UNSLTD SER,410 S.S.,	4.000 EA
HW2502D13	SS KEY, 3/16 SQ X 1.375	1.000 EA

Parts List (continued)		
Part Number	Description	Quantity
HA7000A01	KEY RETAINER 7/8" DIA SHAFT	1.000 EA
85XU0407S04	4X1/4 U DRIVE PIN STAINLESS	2.000 EA
LB1164	LABEL,WARNING AND DRAIN	1.000 EA
MJ5001A01	46-665 RED SEALER	0.001 QT
MJ1000A75	GREASE, POLYREX EM EXXON	0.050 LB
MG1025Z20	ACTIVATOR WILKOFAS 060.32	0.010 GA
MG1025W11	PAINT- 781-101 WILKOFAS WHITE EPOXY	0.017 GA
HA3100S03	THRUBOLT- 10-32 X 10.625 302 OR 303 SS	4.000 EA
LB1125C04	STD-E (STOCK CTN LABEL STD-E WITH FLAG)	1.000 EA
LC0005	CONN.DIA.,TY M,9-LD,DUAL VOLT,REVERSING	1.000 EA
NP1496L	WD, SS, UL CSA CC, W/O THERMAL, LASER	1.000 EA
G7PA1000	PACKAGING GROUP / BALDOR	1.000 EA

Performance Data at 460V, 60Hz, 3.0HP (Typical performance - Not guaranteed values)							
General Characteristics							
Full Load Torque:	9.08 LB-FT			Start Configuration:	DOL		
No-Load Current:	2.27 Amps			Break-Down Torque:	39.7 LB-FT		
Line-line Res. @ 25°C.:	4.59 Ohms A Ph / 0.0 Ohms B Ph			Pull-Up Torque:	23.2 LB-FT		
Temp. Rise @ Rated Load:	66 C			Locked-Rotor Torque:	27.3 LB-FT		
Temp. Rise @ S.F. Load:	83 C			Starting Current:	36.6 Amps		
Load Characteristics							
% of Rated Load	25	50	75	100	125	150	S.F.
Power Factor:	37.0	58.0	71.0	78.0	82.0	85.0	80.0
Efficiency:	79.9	86.5	87.8	87.5	86.5	85.0	86.9
Speed:	1789.0	1777.0	1764.0	1750.0	1734.0	1717.0	1740.0
Line Amperes:	2.46	2.88	3.46	4.16	4.99	5.91	4.66

Performance Graph at 460V, 60Hz, 3.0HP Typical performance - Not guaranteed values

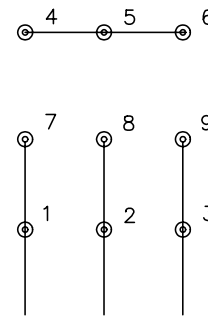




CD0005

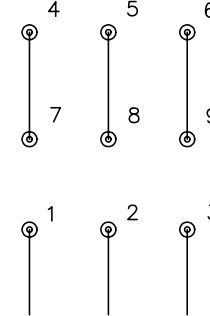


LOW VOLTAGE
(2Y)



LINE

HIGH VOLTAGE
(1Y)



LINE

NOTES:

1. INTERCHANGE ANY TWO LINE LEADS TO REVERSE ROTATION.
2. OPTIONAL THERMOSTATS ARE PROVIDED WHEN SPECIFIED.
3. ACTUAL NUMBER OF INTERNAL PARALLEL CIRCUITS MAY BE A MULTIPLE OF THOSE SHOWN ABOVE.
4. LEAD COLORS ARE OPTIONAL. LEADS MUST ALWAYS BE NUMBERED AS SHOWN.

REV. DESC: REVISE TO SHOW OPTIONAL COLORS			
REV. LTR: E	BY: JLP	REVISED: 01/19/99 10:15	TDR: 0171435
900000		FILE: AAA00005140	MDL: -
		MTL: -	

BALDOR ELECTRIC Co.

3PH, DV, 9 LEADS

CD0005