

# **BALDOR® • RELIANCE**

**Product Information Packet**

**ELECTRIC MOTOR WHOLESAL.COM**

**KL1205A**

**.33HP,3450RPM,1PH,60HZ,56C,3413L,OPEN,F1**

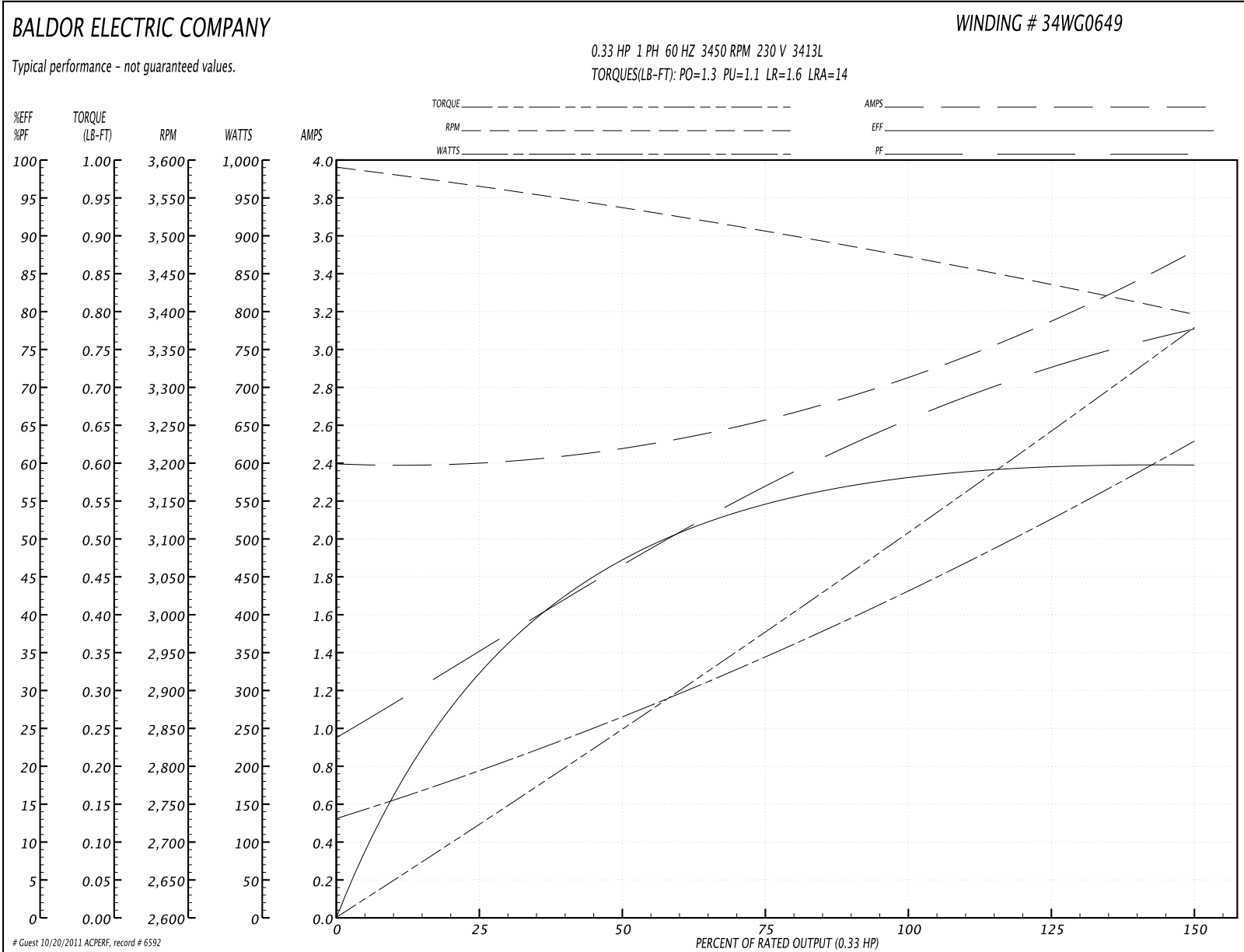
Part Detail									
Revision:	W	Status:	PRD/A	Change #:		Proprietary:	No		
Type:	AC	Prod. Type:	3413L	Elec. Spec:	34WG0649	CD Diagram:			
Enclosure:	OPEN	Mfg Plant:		Mech. Spec:	34-239	Layout:			
Frame:	56C	Mounting:	F1	Poles:	02	Created Date:			
Base:	N	Rotation:	R	Insulation:	B	Eff. Date:	06-01-2011		
Leads:	7#18	Literature:		Elec. Diagram:		Replaced By:			
Nameplate NP1257L									
CAT.NO.	KL1205A								
SPEC.	34-239-649								
HP	.33								
VOLTS	115/230								
AMP	6/3								
RPM	3450								
FRAME	56C	HZ			60	PH	1		
SER.F.	1.35	CODE			K	DES	N	CL	B
NEMA-NOM-EFF	55	PF			68				
RATING	40C AMB-CONT								
CC				USABLE AT 208V		3.5			
DE	6203	ODE			6203				
ENCL	OPEN	SN							
	SFA 7/3.5								

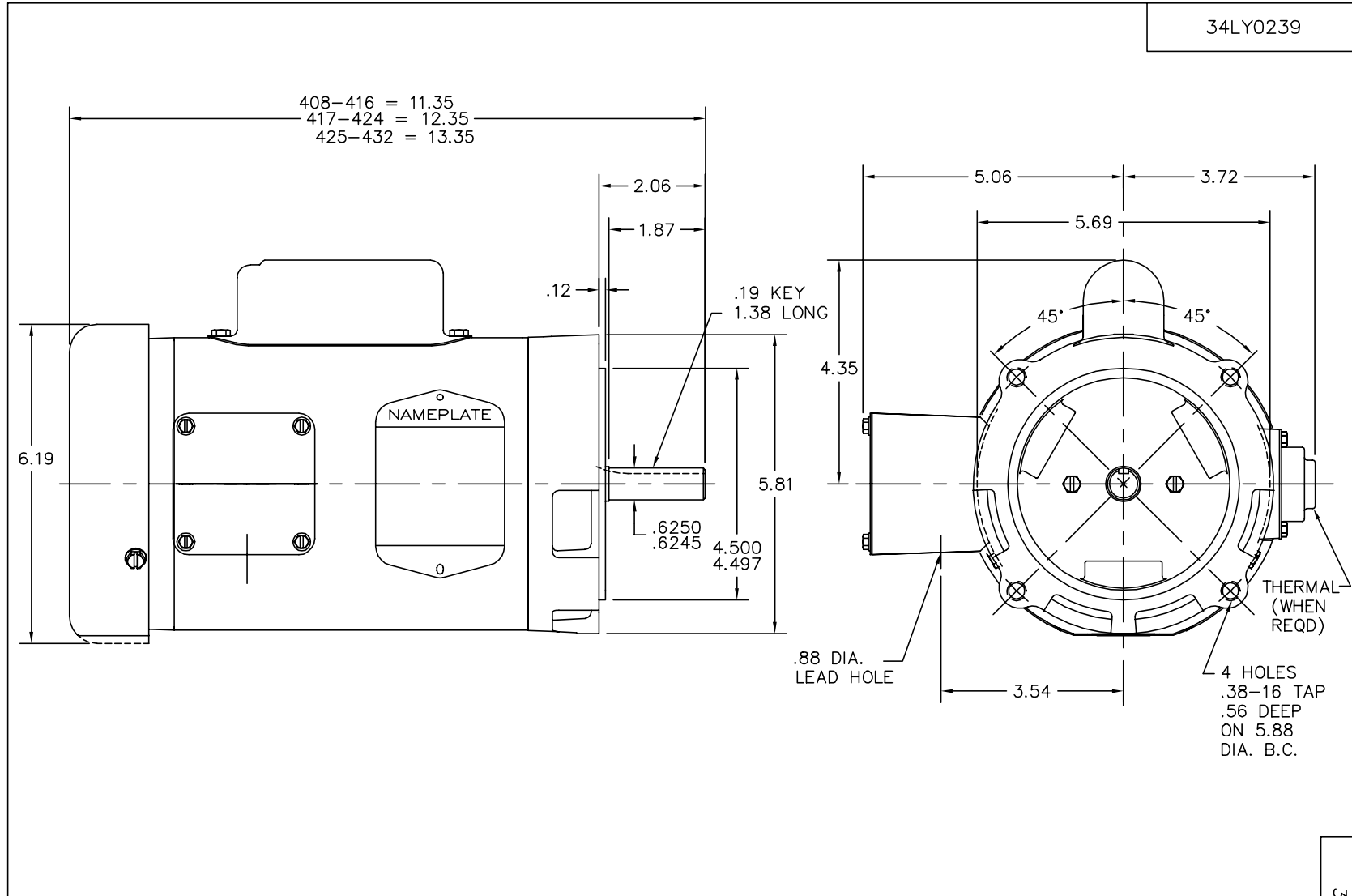
Parts List		
Part Number	Description	Quantity
SA008747	SA 34-239-649	1.000 EA
RA005194	RA 34-239-649	1.000 EA
NS2512A01	INSULATOR, CONDUIT BOX X	1.000 EA
34CB3002A	CB CAST W/.88 DIA HOLE	1.000 EA
51XB1016A07	10-16 X 7/16 HXWSSLD SERTYB	2.000 EA
11XW1032G06	10-32 X .38, TAPTITE II, HEX WSHR SLTD U	1.000 EA
51XW0832A07	8-32 X .44, TAPTITE II, HEX WSHR SLTD SE	2.000 EA
34EP3200A03	FR ENDPLATE, MACH	1.000 EA
SP1006A01	TERM. BOARD, MODE 35 SW X H-23655	1.000 EA
NS2500A01	INSULATOR, AUTO THER PROT	1.000 EA
34CB4800SP	CAPACITOR COVER, STAMPED	1.000 EA
51XB1016A05	10-16X5/16HX WA SL SR TYB (F/S)	2.000 EA
HW5100A03SP	WAVY WASHER (W1543-017)	1.000 EA
34EP3400A05	PU ENDPLATE, MACH	1.000 EA
51XN1032A20	10-32 X 1 1/4 HX WS SL SR	2.000 EA
34AD2000	BAFFLE PLATE, STAMPED	1.000 EA
51XT0632A06	6-32X3/8 TY23 HXWS SLDSR	4.000 EA
34FH4000A11	DRIP COVER, STAMPED	1.000 EA
51XW1032A06	10-32 X .38, TAPTITE II, HEX WSHR SLTD S	3.000 EA
34CB4517	CB LID 4 MTG HOLES .22 DIA STAMPED, FOR	1.000 EA
51XW0832A07	8-32 X .44, TAPTITE II, HEX WSHR SLTD SE	4.000 EA
HW2501D13SP	KEY, 3/16 SQ X 1.375	1.000 EA
HA7000A04	KEY RETAINER 0.625 DIA SHAFTS	1.000 EA
MG1000G27	PAINT- S9282E CHARCOAL GREY 55 GALLONS	0.014 GA

Parts List (continued)		
Part Number	Description	Quantity
10XF0440S02	04-40 X 1/8 TYPE F HEX HD STAINLESS STIC	2.000 EA
EC1189A02SP	61B2D120189NNBA ELEC CAP, 189-227MFD, 12	1.000 EA
SP5056A24	MODEL 34 TYPE L STATIONARY SWITCH WITH L	1.000 EA
HA3100A12	THRUBOLT 10-32 X 7.375	4.000 EA
LB1118	LABEL,WARNING (ROLL LABEL)	1.000 EA
LB1125C01	STD (STOCK) CARTON LABEL BALDOR WITH FLA	1.000 EA
LC0008	1PH,DV,7-LEAD,THERMAL,CONNECTION DIAGRAM	1.000 EA
NP1257L	ALUM, UL CSA CC, W/THERMAL, LASER	1.000 EA
34PA1002	PACKING GROUP, BALDOR	1.000 EA
PK3083T	STYROFOAM PACKING CRADLE W/TAPE	1.000 EA

Performance Data at 230V, 60Hz, 0.33HP (Typical performance - Not guaranteed values)							
<b>General Characteristics</b>							
Full Load Torque:	0.52 LB-FT			Start Configuration:	DOL		
No-Load Current:	2.4 Amps			Break-Down Torque:	1.3 LB-FT		
Line-line Res. @ 25°C.:	7.12 Ohms A Ph / 5.47 Ohms B Ph			Pull-Up Torque:	1.1 LB-FT		
Temp. Rise @ Rated Load:	31 C			Locked-Rotor Torque:	1.6 LB-FT		
Temp. Rise @ S.F. Load:	42 C			Starting Current:	14.0 Amps		
<b>Load Characteristics</b>							
% of Rated Load	25	50	75	100	125	150	S.F.
Power Factor:	39.0	47.0	56.0	66.0	70.0	75.0	72.0
Efficiency:	36.3	46.9	53.8	58.8	59.8	59.7	60.2
Speed:	3556.0	3535.0	3508.0	3465.0	3439.0	3393.0	3429.0
Line Amperes:	2.4	2.5	2.6	2.9	3.2	3.5	3.4

Performance Graph at 230V, 60Hz, 0.33HP Typical performance - Not guaranteed values





CUSTOMER IS RESPONSIBLE FOR DETERMINING THAT MOTOR PERFORMANCE IS SUITABLE IN THE APPLICATION.

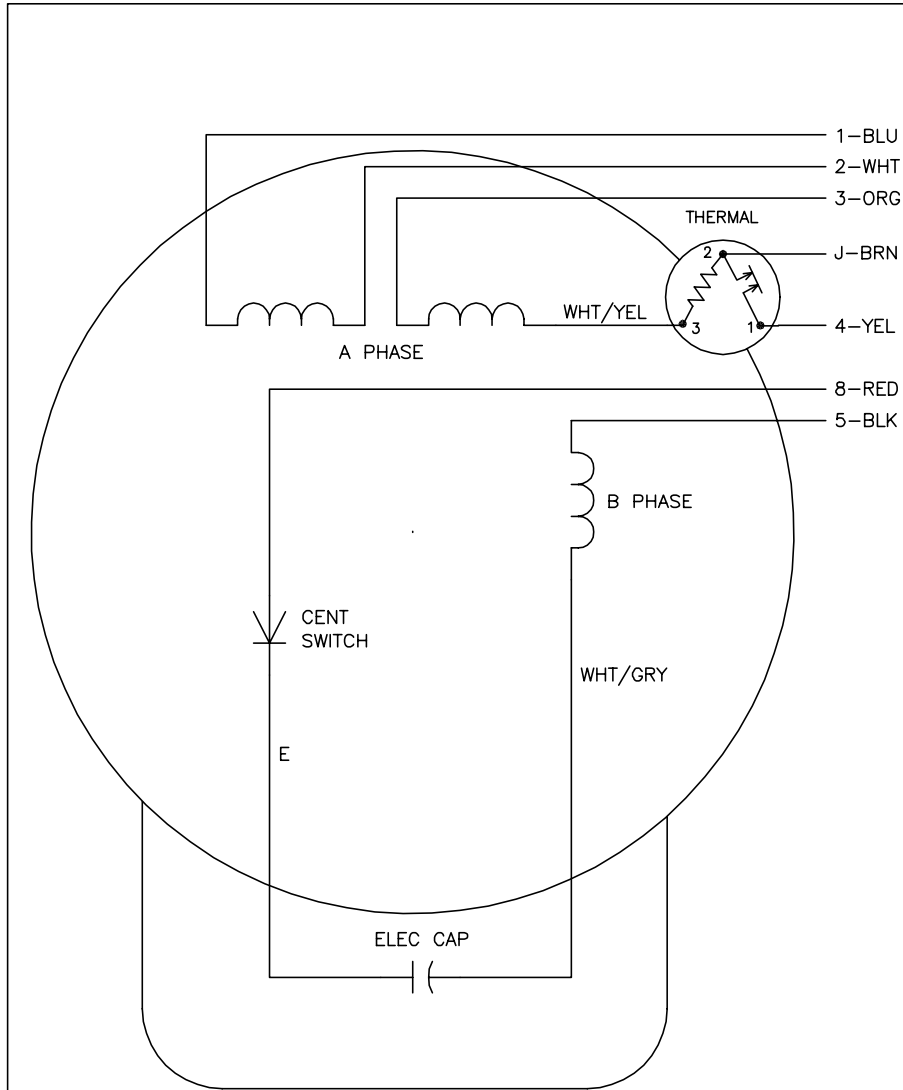
REV. DESC: CORRECTED LAYERING, NO DIMENSIONAL CHANGES.			
REV. LTR: G	BY: DMB	REVISED: 08:25:37 05/21/2004	TDR: 332801
34LY0239		FILE: AAA00026290	REF: 34LY0239
		MTL: -	

**BALDOR ELECTRIC Co.**

STD VERT MODEL 34L NEMA 56C OPEN W/DRIPCOVER

34LY0239

CD0008



	LINE A	LINE B	JOIN	JOIN
HIGH STD	1	4	2,3,8	J,5
HIGH OPP	1	4	2,3,5	J,8
LOW STD	1,3,8	4	-	2,J,5
LOW OPP	1,3,5	4	-	2,J,8

NOTES:

1. STANDARD ROTATION IS CCW FACING END OPPOSITE SHAFT EXTENSION.
2. MULTIPLE CAPACITORS ARE CONNECTED IN PARALLEL UNLESS OTHERWISE SPECIFIED.
3. LEAD COLORS ARE OPTIONAL. LEADS MUST ALWAYS BE NUMBERED AS SHOWN.

REV. DESC: REMOVE 2-TERMINAL THERMAL DETAIL, SEE CD0008A02		
REV. LTR: F	VERSION: 01	TDR: 000000360649
800000	FILE: \AAA\00007\408	REVISED: 10:56:54 04/18/2005
	MTL: -	BY: ENJOEPO

**BALDOR ELECTRIC Co.**

TYPE L, DV, REV, THERMAL, 7 LEADS

CD0008