

# **BALDOR® • RELIANCE**

**Product Information Packet**

**ELECTRIC MOTOR WHOLESALE.COM**

**L1303**

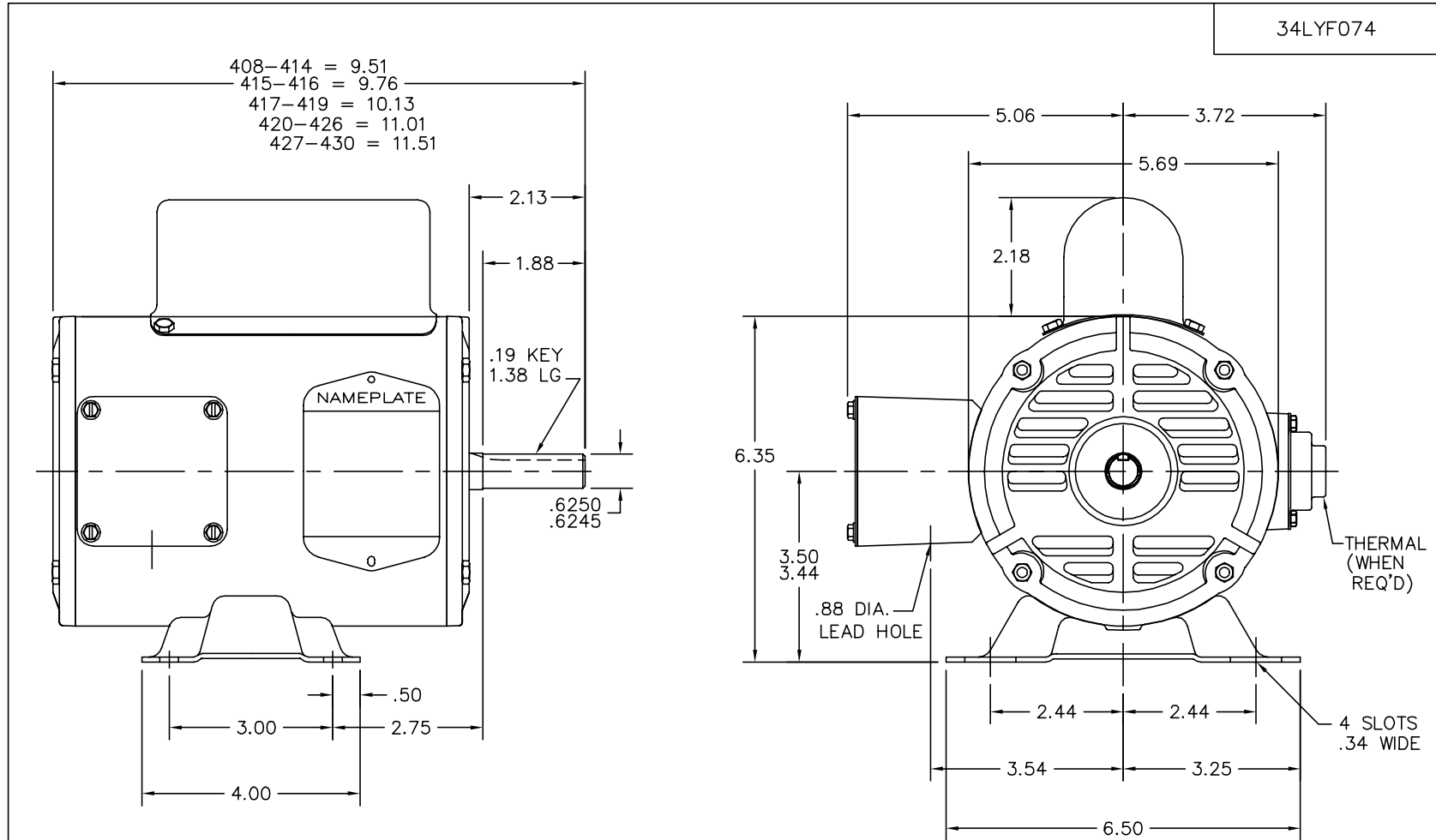
**.5HP,3450RPM,1PH,60HZ,56,3413L,OPEN,F1**

Part Detail							
Revision:	K	Status:	PRD/A	Change #:		Proprietary:	No
Type:	AC	Prod. Type:	3413L	Elec. Spec:	34WGX716	CD Diagram:	
Enclosure:	OPEN	Mfg Plant:		Mech. Spec:	34F074	Layout:	
Frame:	56	Mounting:	F1	Poles:	02	Created Date:	
Base:	RG	Rotation:	R	Insulation:	B	Eff. Date:	04-07-2011
Leads:	6#18	Literature:		Elec. Diagram:		Replaced By:	

Nameplate NP1256L									
CAT.NO.	L1303								
SPEC.	34F074X716								
HP	.5								
VOLTS	115/230								
AMP	7/3.5								
RPM	3450								
FRAME	56	HZ			60	PH	1		
SER.F.	1.25	CODE			L	DES	N	CLASS	B
NEMA-NOM-EFF	66	PF			72				
RATING	40C AMB-CONT								
CC				USABLE AT 208V		4.1			
DE	6203	ODE			6203				
ENCL	OPEN	SN							
	SFA 8/4								

Parts List		
Part Number	Description	Quantity
SA045159	SA 34F074X716	1.000 EA
RA040556	RA 34F074X716	1.000 EA
NS2512A01	INSULATOR, CONDUIT BOX X	1.000 EA
34CB3002A	CB CAST W/.88 DIA HOLE	1.000 EA
51XB1016A07	10-16 X 7/16 HXWSSLD SERTYB	2.000 EA
11XW1032G06	10-32 X .38, TAPTITE II, HEX WSHR SLTD U	1.000 EA
34EP3210A01SP	FR ENDPLATE, MACH	1.000 EA
51XW0832A07	8-32 X .44, TAPTITE II, HEX WSHR SLTD SE	2.000 EA
SP1006A01	TERM. BOARD, MODE 35 SW X H-23655	1.000 EA
NS2501A01	INSULATOR, CAPACITOR	1.000 EA
51XB1016A05	10-16X5/16HX WA SL SR TYB (F/S)	2.000 EA
HW5100A03SP	WAVY WASHER (W1543-017)	1.000 EA
34EP3212A02	PU ENDPLATE, MODEL 34 OPEN	1.000 EA
XY1032A02	10-32 HEX NUT DIRECTIONAL SERRATION	4.000 EA
34CB4517	CB LID 4 MTG HOLES .22 DIA STAMPED, FOR	1.000 EA
51XW0832A07	8-32 X .44, TAPTITE II, HEX WSHR SLTD SE	4.000 EA
HW2501D13SP	KEY, 3/16 SQ X 1.375	1.000 EA
HA7000A04	KEY RETAINER 0.625 DIA SHAFTS	1.000 EA
MG1000G27	PAINT- S9282E CHARCOAL GREY 55 GALLONS	0.014 GA
10XF0440S02	04-40 X 1/8 TYPE F HEX HD STAINLESS STIC	2.000 EA
EC1400A03SP	ELEC CAP, 400-480 MFD, 125V, 1.81D X 3.	1.000 EA
33CB4800A01	CAPACITOR COVER, STAMPED	1.000 EA
SP5056A24	MODEL 34 TYPE L STATIONARY SWITCH WITH L	1.000 EA
HA3100A12	THRUBOLT 10-32 X 7.375	4.000 EA

Parts List (continued)		
Part Number	Description	Quantity
LB5040	INSTRUCTION TAG, AC & DC	1.000 EA
LB1125C01	STD (STOCK) CARTON LABEL BALDOR WITH FLA	1.000 EA
LC0001A01	CONN LABEL / WARNING LABEL (LC0001 / LB1	1.000 EA
NP1256L	ALUM, UL CSA CC, W/O THERMAL, LASER	1.000 EA
34PA1002	PACKING GROUP, BALDOR	1.000 EA



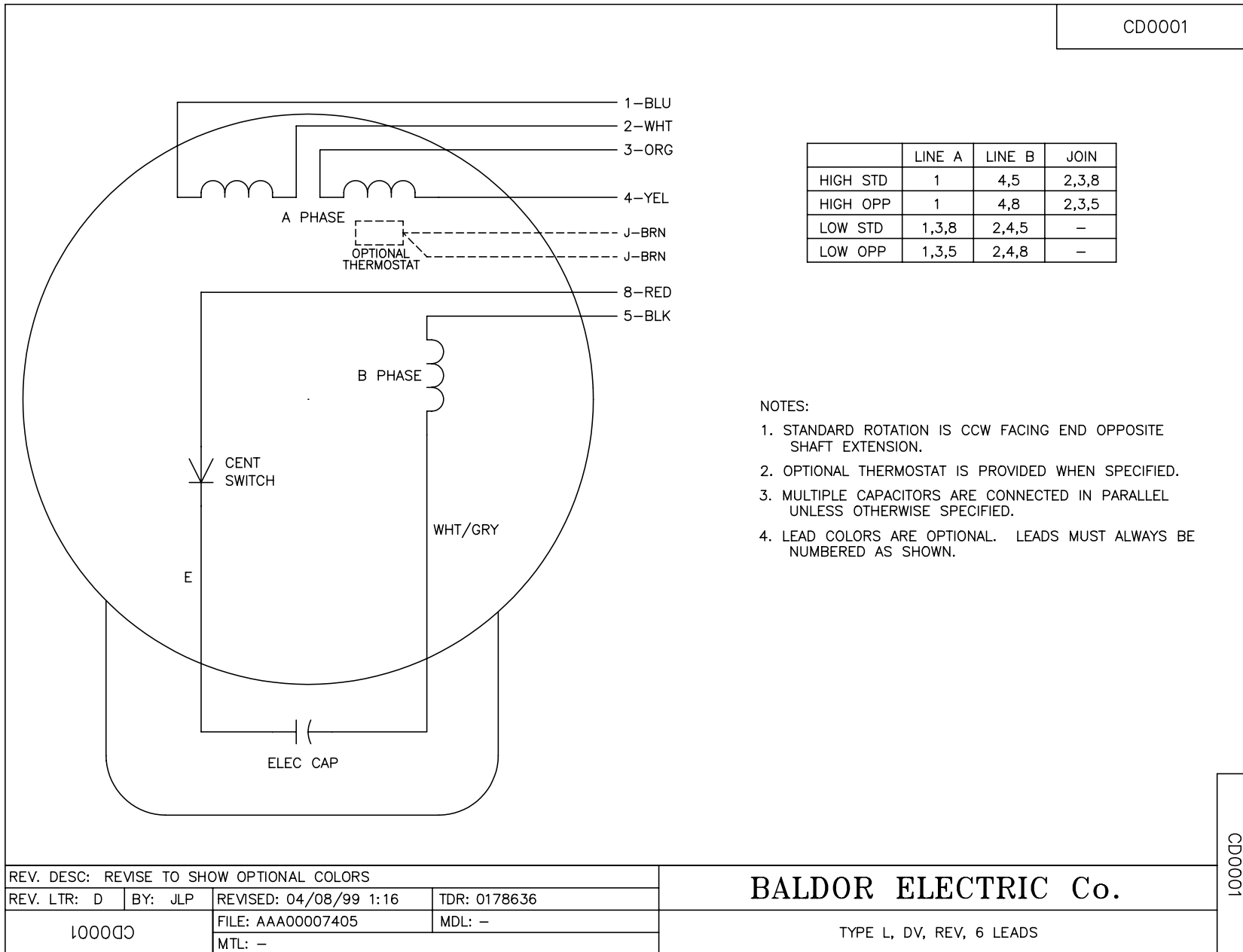
CUSTOMER IS RESPONSIBLE FOR DETERMINING THAT MOTOR PERFORMANCE IS SUITABLE IN THE APPLICATION.

REV. DESC: MOVED CAP BOX .25 TOWARD PU END; NEW KBOX & LID			
REV. LTR: D	BY: RT	REVISED: 11:21:05 10/16/2003	TDR: 312052
34LYF074		FILE: AAA00026594	REF: 34LYF074
		MTL: -	

<b>BALDOR ELECTRIC Co.</b>
STD HORZ MODEL 34L NEMA 56 OPEN W/3 PHASE ER'S & LG CAPAC

34LYF074

CD0001



REV. DESC: REVISE TO SHOW OPTIONAL COLORS			
REV. LTR: D	BY: JLP	REVISED: 04/08/99 1:16	TDR: 0178636
100000		FILE: AAA00007405	MDL: -
		MTL: -	

**BALDOR ELECTRIC Co.**

TYPE L, DV, REV, 6 LEADS

CD0001