

BALDOR® • RELIANCE

Product Information Packet

ELECTRIC MOTOR WHOLESAL.COM

L1305

.5HP, 1140RPM, 1PH, 60HZ, 56/56H, 3524L, OPEN

Part Detail							
Revision:	X	Status:	PRD/A	Change #:		Proprietary:	No
Type:	AC	Prod. Type:	3524L	Elec. Spec:	35WG0077	CD Diagram:	
Enclosure:	OPEN	Mfg Plant:		Mech. Spec:	35J384	Layout:	
Frame:	56/56H	Mounting:	F1	Poles:	06	Created Date:	
Base:	RG	Rotation:	R	Insulation:	B	Eff. Date:	03-16-2011
Leads:	6#18	Literature:		Elec. Diagram:		Replaced By:	

Nameplate NP1256L									
CAT.NO.	L1305								
SPEC.	35J384-77								
HP	.5								
VOLTS	115/230								
AMP	8.2/4.1								
RPM	1140								
FRAME	56/56H	HZ			60	PH	1		
SER.F.	1.25	CODE			K	DES	N	CLASS	B
NEMA-NOM-EFF	62	PF			60				
RATING	40C AMB-CONT								
CC				USABLE AT 208V		4.8			
DE	6205	ODE			6203				
ENCL	OPEN	SN							
	SFA 8.8/4.4								

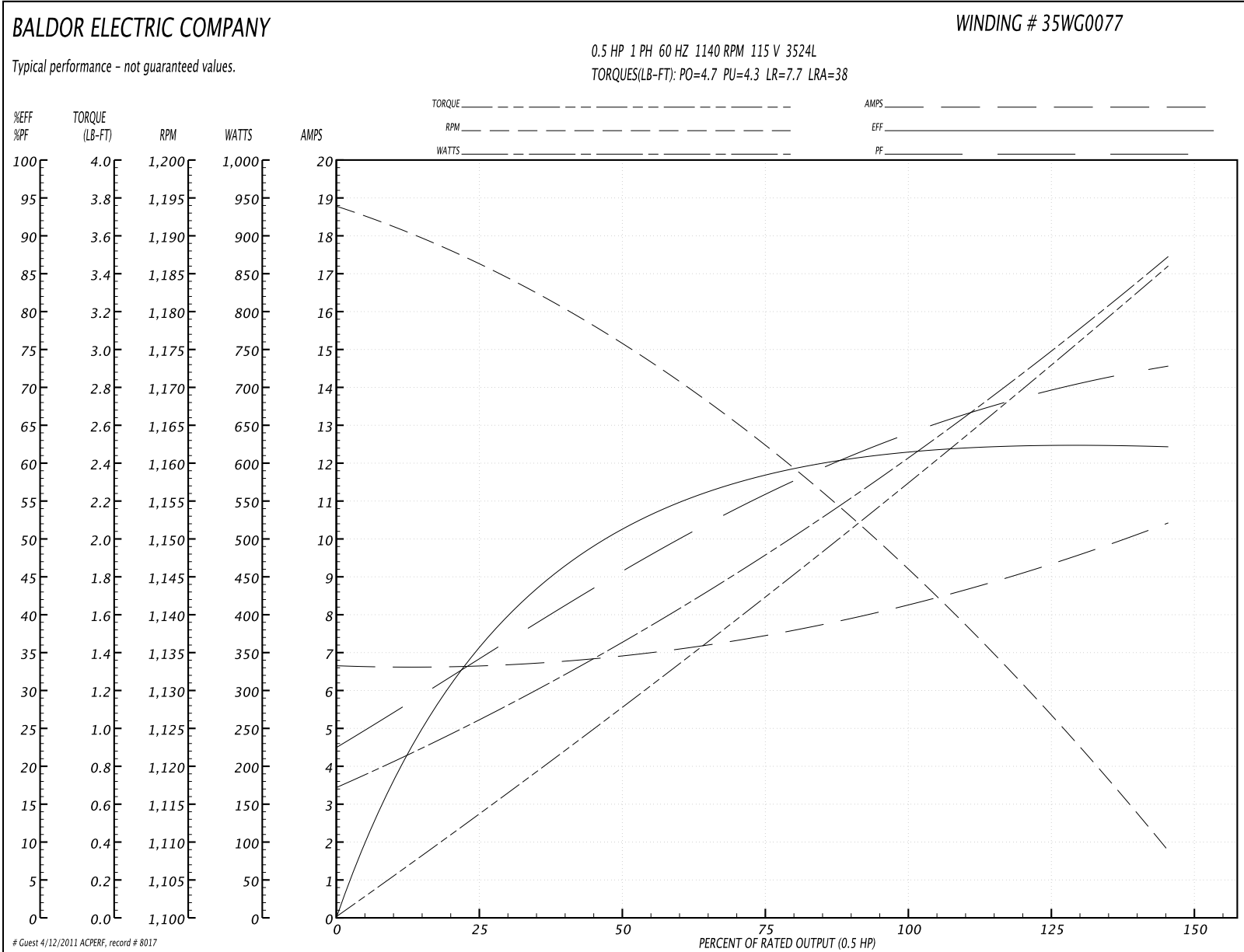
Parts List		
Part Number	Description	Quantity
SA025951	SA 35J384-77	1.000 EA
RA022001	RA 35J384-77	1.000 EA
EC1270A02SP	ELEC CAP, 270-324 MFD, 125V, 1.48D X 3.	1.000 EA
NS2512A01	INSULATOR, CONDUIT BOX X	1.000 EA
35CB3007	35 CB CASTING W/.88 DIA. LEAD HOLE	1.000 EA
51XB1016A07	10-16 X 7/16 HXWSSLD SERTYB	2.000 EA
11XW1032G06	10-32 X .38, TAPTITE II, HEX WSHR SLTD U	1.000 EA
35EP3201A03	STD FR EP OPEN-203BRG-35L OR M FRAME--LE	1.000 EA
SP1006A01	TERM. BOARD, MODE 35 SW X H-23655	1.000 EA
51XW0832A07	8-32 X .44, TAPTITE II, HEX WSHR SLTD SE	2.000 EA
NS2501A01	INSULATOR, CAPACITOR	1.000 EA
51XB1016A05	10-16X5/16HX WA SL SR TYB (F/S)	2.000 EA
HW5100A03SP	WAVY WASHER (W1543-017)	1.000 EA
35EP3200A02	STD PU ENDPLATE-OPEN-205 BRG	1.000 EA
XY1032A02	10-32 HEX NUT DIRECTIONAL SERRATION	4.000 EA
35CB4521	35 LIPPED CB LID (GALV & PHOSPH)	1.000 EA
51XW0832A07	8-32 X .44, TAPTITE II, HEX WSHR SLTD SE	4.000 EA
HW2501D13SP	KEY, 3/16 SQ X 1.375	1.000 EA
HA7000A04	KEY RETAINER 0.625 DIA SHAFTS	1.000 EA
10XF0440S02	04-40 X 1/8 TYPE F HEX HD STAINLESS STIC	2.000 EA
WD1000A15	3-520132-2 AMP FLAG (4M/RL NON-CANC/NON-	2.000 EA
MJ1000A75	GREASE, POLYREX EM EXXON	0.050 LB
MG1000G27	PAINT- S9282E CHARCOAL GREY	0.017 GA
HA3100A18	THRUBOLT 10-32 X 9.250	4.000 EA

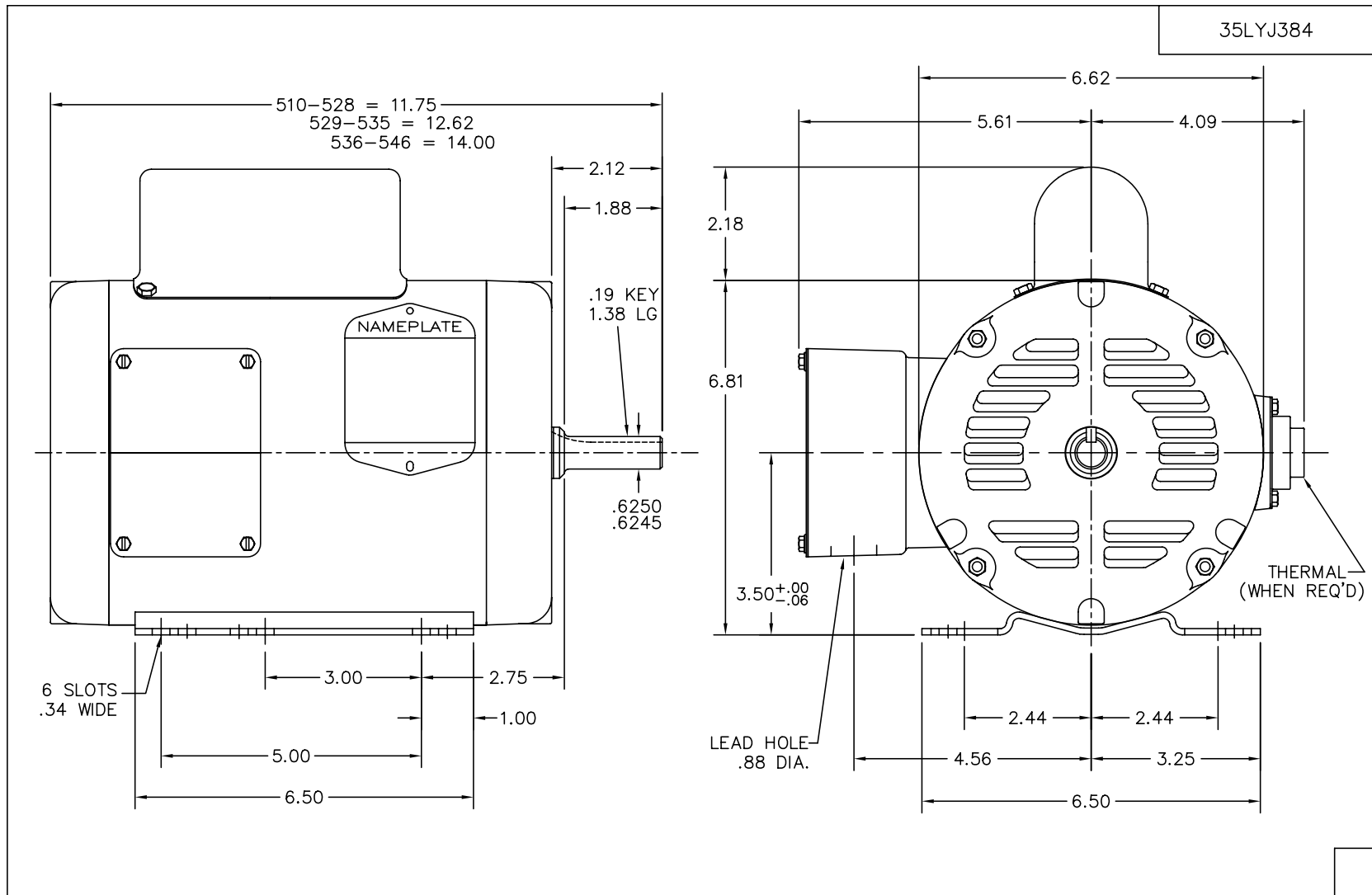
Parts List (continued)		
Part Number	Description	Quantity
35CB4802A02SP	CAPACITOR COVER, STAMPED X W/AUTOPHORET	1.000 EA
SP5055A67	MODEL 35 TYPE L STATIONARY SWITCH	1.000 EA
LB1125C01	STD (STOCK) CARTON LABEL BALDOR WITH FLA	1.000 EA
LC0001A01	CONN LABEL / WARNING LABEL (LC0001 / LB1	1.000 EA
NP1256L	ALUM, UL CSA CC, W/O THERMAL, LASER	1.000 EA
35PA1066	PACKING GROUP COMBINED PRINT	1.000 EA

Accessories		
Part Number	Description	Multiplier
35-8764	C FACE KIT	A8
35EP1604A01SP	D-FLANGE KIT	A8

Performance Data at 115V, 60Hz, 0.5HP (Typical performance - Not guaranteed values)							
General Characteristics							
Full Load Torque:	2.3 LB-FT			Start Configuration:	DOL		
No-Load Current:	6.6 Amps			Break-Down Torque:	4.7 LB-FT		
Line-line Res. @ 25°C.:	1.15 Ohms A Ph / 3.64 Ohms B Ph			Pull-Up Torque:	4.3 LB-FT		
Temp. Rise @ Rated Load:	71 C			Locked-Rotor Torque:	7.7 LB-FT		
Temp. Rise @ S.F. Load:	84 C			Starting Current:	38.0 Amps		
Load Characteristics							
% of Rated Load	25	50	75	100	125	150	S.F.
Power Factor:	34.0	45.0	55.0	64.0	70.0	75.0	0.0
Efficiency:	35.8	51.2	58.6	62.0	62.9	61.7	0.0
Speed:	1185.0	1174.0	1161.0	1147.0	1130.0	1107.0	0.0
Line Amperes:	6.7	7.0	7.5	8.2	9.2	10.5	9.2

Performance Graph at 115V, 60Hz, 0.5HP Typical performance - Not guaranteed values





CUST. NAME		CUST. P.O.		CERTIFIED BY		MODEL		INSUL		AMB	
H.P.		MTG		TYPE		R.P.M.		VOLTS		ENCL	
PHASE		FREQ		FRAME							
REV. DESC: CHG'D CONDUIT BOX AND LID (SEE EC09)											
REV. LTR: D		BY: JED		REVISED: 04/09/99 11:14				TDR: 0171806			
35LYJ384				FILE: AAA00010412				MDL: -			
MTL: -				BALDOR ELECTRIC Co.							
STD HORZ 35L NEMA 56/56H OPEN											

35LYJ384

CD0001



NOTES:

1. STANDARD ROTATION IS CCW FACING END OPPOSITE SHAFT EXTENSION.
2. OPTIONAL THERMOSTAT IS PROVIDED WHEN SPECIFIED.
3. MULTIPLE CAPACITORS ARE CONNECTED IN PARALLEL UNLESS OTHERWISE SPECIFIED.
4. LEAD COLORS ARE OPTIONAL. LEADS MUST ALWAYS BE NUMBERED AS SHOWN.

REV. DESC: REVISE TO SHOW OPTIONAL COLORS			
REV. LTR: D	BY: JLP	REVISED: 04/08/99 1:16	TDR: 0178636
100000		FILE: AAA00007405	MDL: -
		MTL: -	

BALDOR ELECTRIC Co.

TYPE L, DV, REV, 6 LEADS

CD0001