

# **BALDOR® • RELIANCE**

**Product Information Packet**

**ELECTRIC MOTOR WHOLESAL.COM**

**L1306**

**.75HP,3450RPM,1PH,60HZ,56,3420L,OPEN,F1**

Part Detail							
Revision:	S	Status:	PRD/A	Change #:		Proprietary:	No
Type:	AC	Prod. Type:	3420L	Elec. Spec:	34WG5897	CD Diagram:	
Enclosure:	OPEN	Mfg Plant:		Mech. Spec:	34P047	Layout:	
Frame:	56	Mounting:	F1	Poles:	02	Created Date:	
Base:	RG	Rotation:	R	Insulation:	B	Eff. Date:	04-06-2011
Leads:	6#18	Literature:		Elec. Diagram:		Replaced By:	

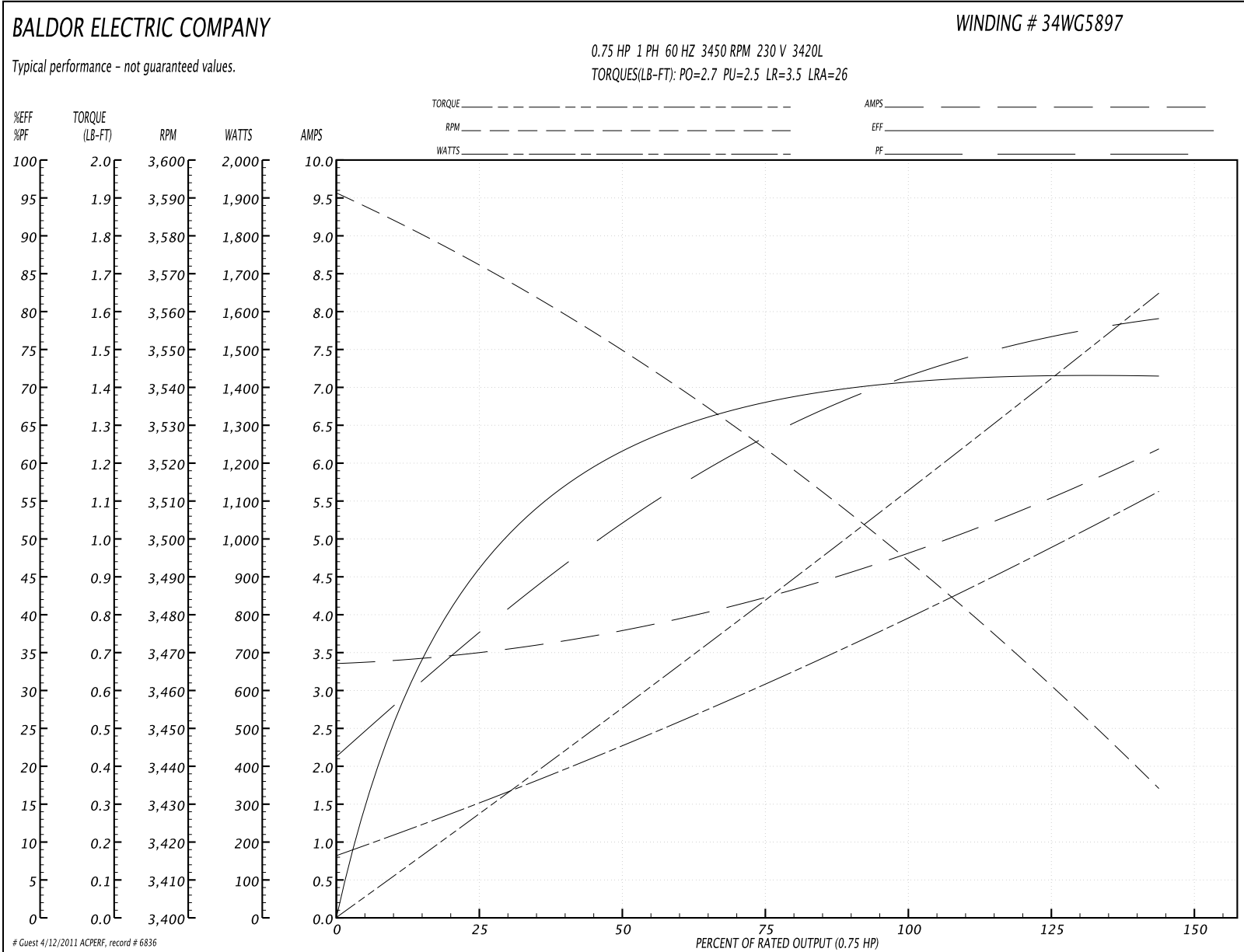
Nameplate NP1256L									
CAT.NO.	L1306								
SPEC.	34P47-5897								
HP	.75								
VOLTS	115/230								
AMP	9.4/4.7								
RPM	3450								
FRAME	56	HZ			60	PH	1		
SER.F.	1.25	CODE			J	DES	N	CLASS	B
NEMA-NOM-EFF	72	PF			71				
RATING	40C AMB-CONT								
CC				USABLE AT 208V		5.8			
DE	6203	ODE			6203				
ENCL	OPEN	SN							
	SFA 11/5.5								

Parts List		
Part Number	Description	Quantity
SA007778	SA 34P47-5897	1.000 EA
RA004225	RA 34P47-5897	1.000 EA
EC1400A03SP	ELEC CAP, 400-480 MFD, 125V, 1.81D X 3.	1.000 EA
NS2512A01	INSULATOR, CONDUIT BOX X	1.000 EA
34CB3002A	CB CAST W/.88 DIA HOLE	1.000 EA
51XB1016A07	10-16 X 7/16 HXWSSLD SERTYB	2.000 EA
11XW1032G06	10-32 X .38, TAPTITE II, HEX WSHR SLTD U	1.000 EA
34EP3200A01SP	FR ENDPLATE, MACH	1.000 EA
SP1006A01	TERM. BOARD, MODE 35 SW X H-23655	1.000 EA
51XW0832A07	8-32 X .44, TAPTITE II, HEX WSHR SLTD SE	2.000 EA
NS2501A01	INSULATOR, CAPACITOR	1.000 EA
51XB1016A05	10-16X5/16HX WA SL SR TYB (F/S)	2.000 EA
HW5100A03SP	WAVY WASHER (W1543-017)	1.000 EA
34EP3200A02SP	FR/PU ENDPLATE, MACH	1.000 EA
XY1032A02	10-32 HEX NUT DIRECTIONAL SERRATION	4.000 EA
34CB4517	CB LID 4 MTG HOLES .22 DIA STAMPED, FOR	1.000 EA
51XW0832A07	8-32 X .44, TAPTITE II, HEX WSHR SLTD SE	4.000 EA
HW2501D13SP	KEY, 3/16 SQ X 1.375	1.000 EA
HA7000A04	KEY RETAINER 0.625 DIA SHAFTS	1.000 EA
MG1000G27	PAINT- S9282E CHARCOAL GREY	0.014 GA
10XF0440S02	04-40 X 1/8 TYPE F HEX HD STAINLESS STIC	2.000 EA
33CB4800A02	CAPACITOR COVER, STAMPED	1.000 EA
SP5056A24	MODEL 34 TYPE L STATIONARY SWITCH WITH L	1.000 EA
HA3100A45	THRUBOLT 10-32 X 8.875	4.000 EA

Parts List (continued)		
Part Number	Description	Quantity
LB1125C01	STD (STOCK) CARTON LABEL BALDOR WITH FLA	1.000 EA
LC0001A01	CONN LABEL / WARNING LABEL (LC0001 / LB1	1.000 EA
NP1256L	ALUM, UL CSA CC, W/O THERMAL, LASER	1.000 EA
34PA1002	PACKING GROUP, BALDOR	1.000 EA

Performance Data at 230V, 60Hz, 0.75HP (Typical performance - Not guaranteed values)							
General Characteristics							
Full Load Torque:	1.1 LB-FT			Start Configuration:	DOL		
No-Load Current:	3.35 Amps			Break-Down Torque:	2.7 LB-FT		
Line-line Res. @ 25°C.:	3.34 Ohms A Ph / 3.22 Ohms B Ph			Pull-Up Torque:	2.5 LB-FT		
Temp. Rise @ Rated Load:	38 C			Locked-Rotor Torque:	3.5 LB-FT		
Temp. Rise @ S.F. Load:	51 C			Starting Current:	26.0 Amps		
Load Characteristics							
% of Rated Load	25	50	75	100	125	150	S.F.
Power Factor:	38.0	53.0	64.0	73.0	79.0	83.0	0.0
Efficiency:	45.8	61.1	67.8	70.8	71.7	71.3	0.0
Speed:	3572.0	3549.0	3525.0	3498.0	3468.0	3433.0	0.0
Line Amperes:	3.5	3.8	4.2	4.75	5.4	6.2	5.4

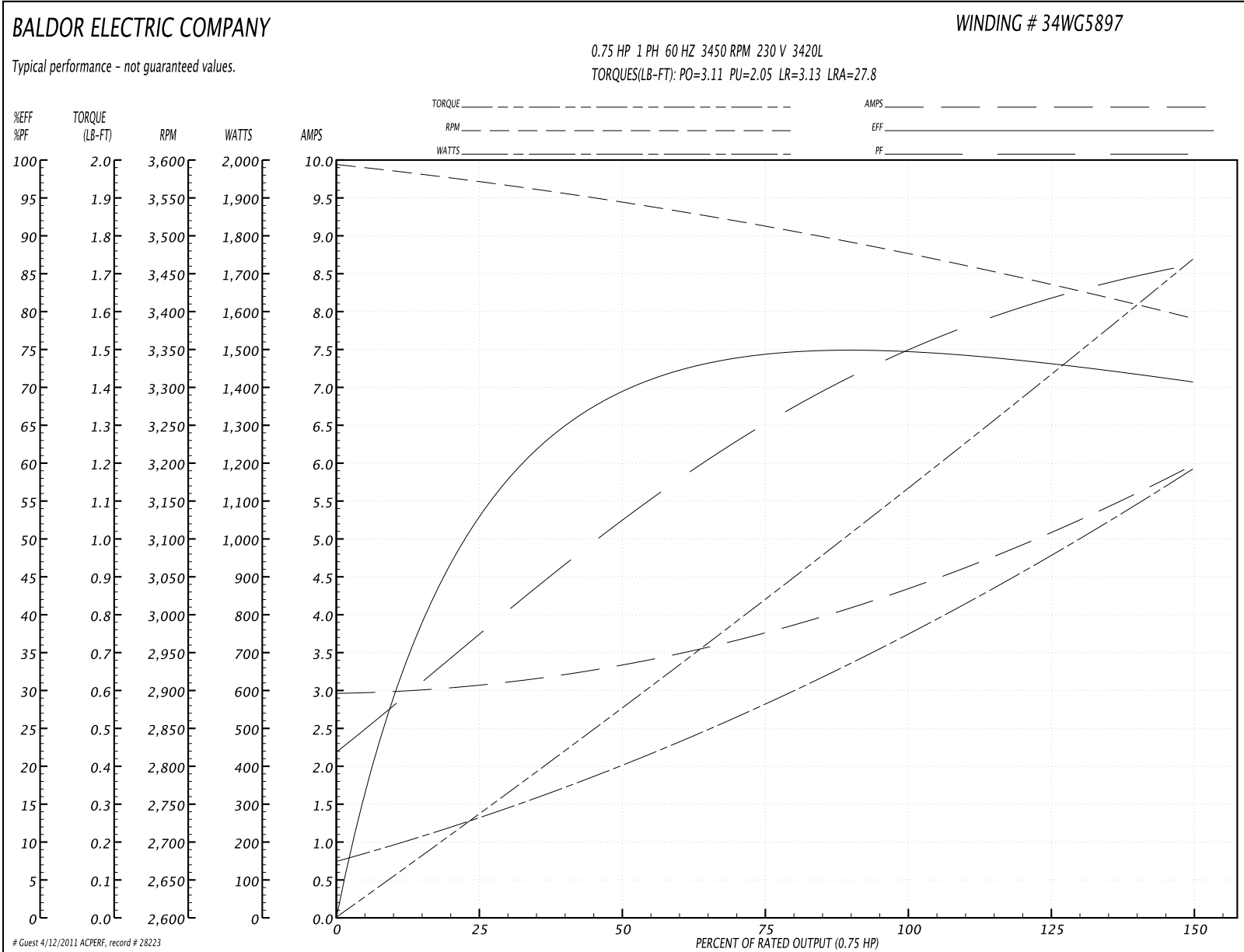
Performance Graph at 230V, 60Hz, 0.75HP Typical performance - Not guaranteed values

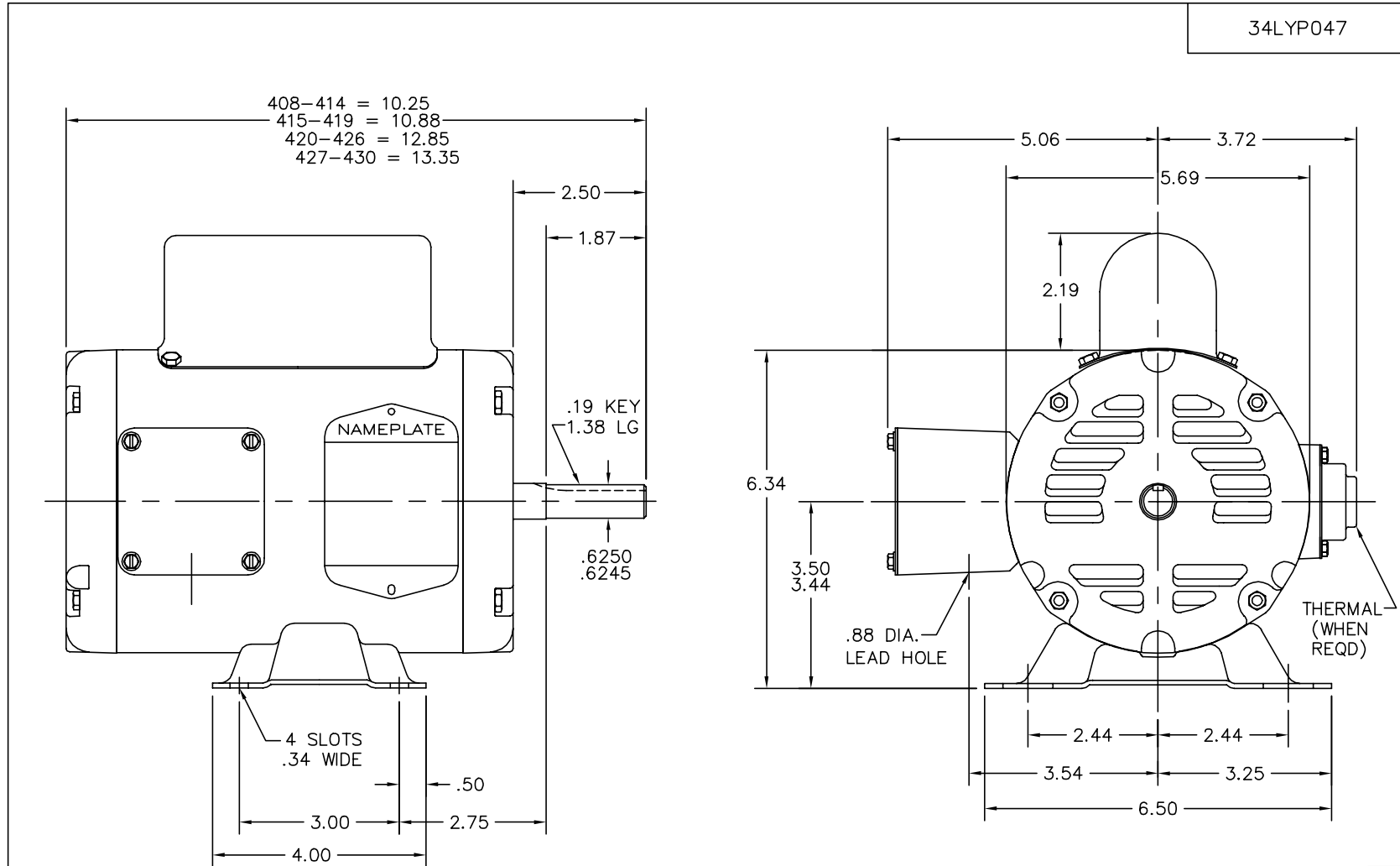


**Performance Data at 230V, 60Hz, 0.75HP (Typical performance - Not guaranteed values)**

General Characteristics							
Full Load Torque:	1.13 LB-FT			Start Configuration:	DOL		
No-Load Current:	3.0 Amps			Break-Down Torque:	3.11 LB-FT		
Line-line Res. @ 25°C.:	3.3755 Ohms A Ph / 3.1705 Ohms B Ph			Pull-Up Torque:	2.05 LB-FT		
Temp. Rise @ Rated Load:	41 C			Locked-Rotor Torque:	3.13 LB-FT		
Temp. Rise @ S.F. Load:	54 C			Starting Current:	27.8 Amps		
Load Characteristics							
% of Rated Load	25	50	75	100	125	150	S.F.
Power Factor:	36.0	53.0	67.0	72.0	83.0	86.0	83.0
Efficiency:	56.0	69.5	73.0	74.7	73.5	70.8	73.5
Speed:	3569.4	3541.9	3513.3	3479.6	3437.6	3390.0	3438.0
Line Amperes:	3.04	3.3	3.71	4.49	5.0	5.96	5.0

Performance Graph at 230V, 60Hz, 0.75HP Typical performance - Not guaranteed values





CUSTOMER IS RESPONSIBLE FOR DETERMINING THAT MOTOR PERFORMANCE IS SUITABLE IN THE APPLICATION.

REV. DESC: NEW KBOX & LID				<b>BALDOR ELECTRIC Co.</b>
REV. LTR: C	BY: RT	REVISED: 09:56:28 12/17/2003	TDR: 320281	
34LYP047		FILE: AAA00026164	REF: 34LYP047	STD HORZ MODEL 34L NEMA 56 OPEN W/3 PHASE ENDRINGS & 35 CAP
		MTL: -		

34LYP047

CD0001



NOTES:

1. STANDARD ROTATION IS CCW FACING END OPPOSITE SHAFT EXTENSION.
2. OPTIONAL THERMOSTAT IS PROVIDED WHEN SPECIFIED.
3. MULTIPLE CAPACITORS ARE CONNECTED IN PARALLEL UNLESS OTHERWISE SPECIFIED.
4. LEAD COLORS ARE OPTIONAL. LEADS MUST ALWAYS BE NUMBERED AS SHOWN.

REV. DESC: REVISE TO SHOW OPTIONAL COLORS			
REV. LTR: D	BY: JLP	REVISED: 04/08/99 1:16	TDR: 0178636
100000		FILE: AAA00007405	MDL: -
		MTL: -	

**BALDOR ELECTRIC Co.**

TYPE L, DV, REV, 6 LEADS

CD0001