

# **BALDOR® • RELIANCE**

**Product Information Packet**

**ELECTRIC MOTOR WHOLESAL.COM**

**L1307A**

**.75HP, 1725RPM, 1PH, 60HZ, 56, 3428L, OPEN, F1**

Part Detail									
Revision:	AC	Status:	PRD/A	Change #:		Proprietary:	No		
Type:	AC	Prod. Type:	3428L	Elec. Spec:	34WGW169	CD Diagram:			
Enclosure:	OPEN	Mfg Plant:		Mech. Spec:	34F074	Layout:			
Frame:	56	Mounting:	F1	Poles:	04	Created Date:			
Base:	RG	Rotation:	R	Insulation:	B	Eff. Date:	04-10-2011		
Leads:	6#18,1#14 #4TH	Literature:	Y	Elec. Diagram:		Replaced By:			
Nameplate NP1257L									
CAT.NO.	L1307A								
SPEC.	34F74W169								
HP	.75								
VOLTS	115/230								
AMP	10.2/5.1								
RPM	1725								
FRAME	56	HZ	60			PH	1		
SER.F.	1.25	CODE	K			DES	N	CL	B
NEMA-NOM-EFF	68	PF	68						
RATING	40C AMB-CONT								
CC					USABLE AT 208V	6			
DE	6203	ODE	6203						
ENCL	OPEN	SN							
	SFA 11.4/5.7								

Parts List		
Part Number	Description	Quantity
SA005874	SA 34F74W169	1.000 EA
RA002620	RA 34F74W169	1.000 EA
NS2512A01	INSULATOR, CONDUIT BOX X	1.000 EA
34CB3002A	CB CAST W/.88 DIA HOLE	1.000 EA
51XB1016A07	10-16 X 7/16 HXWSSLD SERTYB	2.000 EA
11XW1032G06	10-32 X .38, TAPTITE II, HEX WSHR SLTD U	1.000 EA
34EP3210A01SP	FR ENDPLATE, MACH	1.000 EA
51XW0832A07	8-32 X .44, TAPTITE II, HEX WSHR SLTD SE	2.000 EA
SP1006A01	TERM. BOARD, MODE 35 SW X H-23655	1.000 EA
NS2501A01	INSULATOR, CAPACITOR	1.000 EA
51XB1016A05	10-16X5/16HX WA SL SR TYB (F/S)	2.000 EA
HW5100A03SP	WAVY WASHER (W1543-017)	1.000 EA
34EP3212A02	PU ENDPLATE, MODEL 34 OPEN	1.000 EA
XY1032A02	10-32 HEX NUT DIRECTIONAL SERRATION	4.000 EA
34CB4517	CB LID 4 MTG HOLES .22 DIA STAMPED, FOR	1.000 EA
51XW0832A07	8-32 X .44, TAPTITE II, HEX WSHR SLTD SE	4.000 EA
HW2501D13SP	KEY, 3/16 SQ X 1.375	1.000 EA
HA7000A04	KEY RETAINER 0.625 DIA SHAFTS	1.000 EA
MG1000G27	PAINT- S9282E CHARCOAL GREY	0.014 GA
10XF0440S02	04-40 X 1/8 TYPE F HEX HD STAINLESS STIC	2.000 EA
EC1460A05SP	ELEC CAP, 460-552 MFD, 125V, 2.06D X 3.	1.000 EA
33CB4800A02	CAPACITOR COVER, STAMPED	1.000 EA
SP5056A24	MODEL 34 TYPE L STATIONARY SWITCH WITH L	1.000 EA
HA3100A38	THRUBOLT 10-32 X 9.375	4.000 EA

Parts List (continued)		
Part Number	Description	Quantity
LB5040	INSTRUCTION TAG, AC & DC	1.000 EA
LB1118	LABEL,WARNING (ROLL LABEL)	1.000 EA
LB1125C01	STD (STOCK) CARTON LABEL BALDOR WITH FLA	1.000 EA
LC0269	1PH,DV,REV,THERMAL,7 LD,L.AMP THRU HTR H	1.000 EA
NP1257L	ALUM, UL CSA CC, W/THERMAL, LASER	1.000 EA
34PA1002	PACKING GROUP, BALDOR	1.000 EA

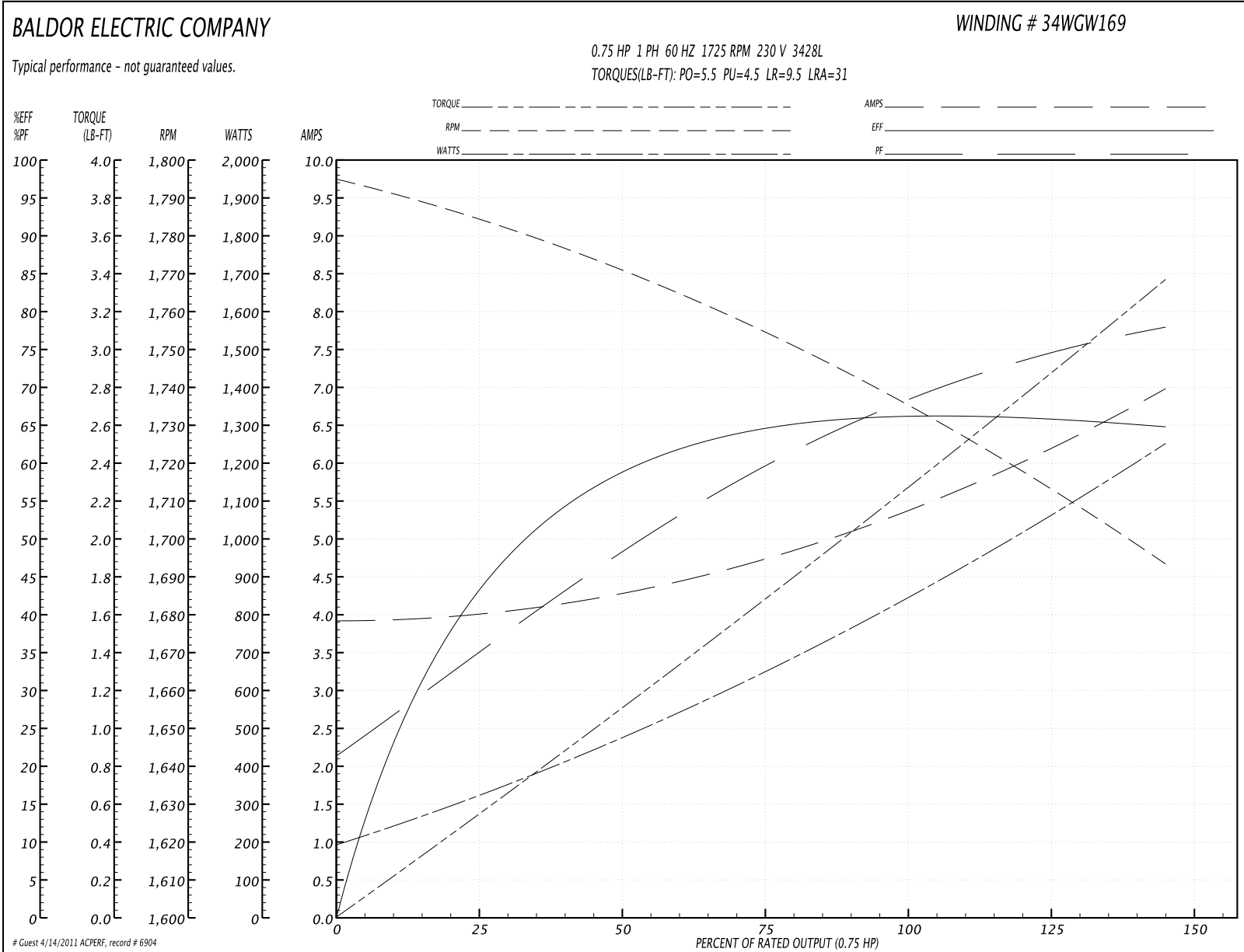
**Performance Data at 230V, 60Hz, 0.75HP (Typical performance - Not guaranteed values)**
**General Characteristics**

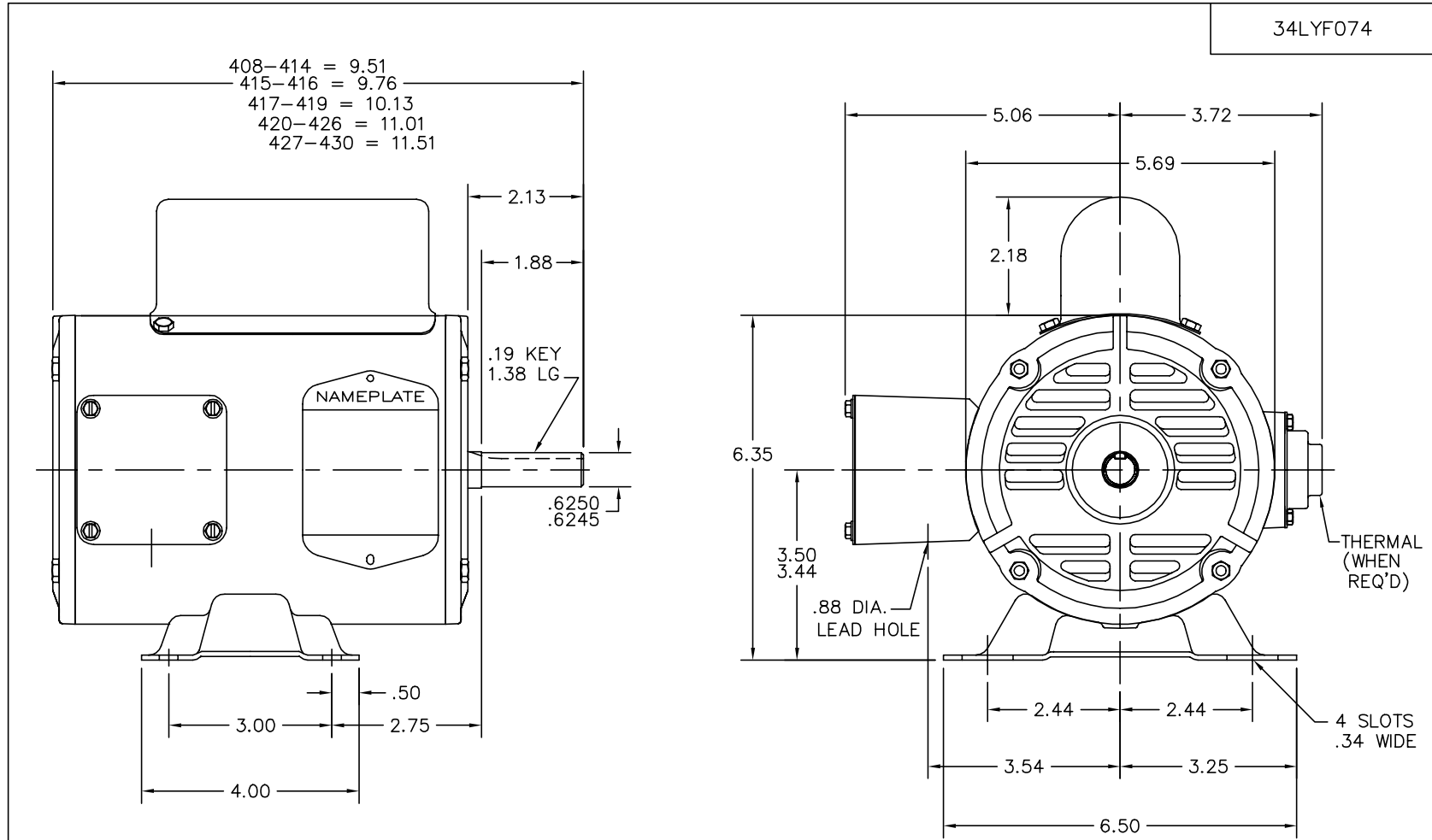
<b>Full Load Torque:</b>	2.25 LB-FT	<b>Start Configuration:</b>	DOL
<b>No-Load Current:</b>	3.9 Amps	<b>Break-Down Torque:</b>	5.5 LB-FT
<b>Line-line Res. @ 25°C.:</b>	3.1 Ohms A Ph / 1.64 Ohms B Ph	<b>Pull-Up Torque:</b>	4.5 LB-FT
<b>Temp. Rise @ Rated Load:</b>	74 C	<b>Locked-Rotor Torque:</b>	9.5 LB-FT
<b>Temp. Rise @ S.F. Load:</b>	90 C	<b>Starting Current:</b>	31.0 Amps

**Load Characteristics**

<b>% of Rated Load</b>	<b>25</b>	<b>50</b>	<b>75</b>	<b>100</b>	<b>125</b>	<b>150</b>	<b>S.F.</b>
<b>Power Factor:</b>	35.0	49.0	63.0	70.0	76.0	80.0	76.0
<b>Efficiency:</b>	45.4	59.1	62.7	66.7	66.8	64.4	66.8
<b>Speed:</b>	1783.0	1770.0	1754.0	1737.0	1717.0	1692.0	1717.0
<b>Line Amperes:</b>	4.05	4.25	4.8	5.3	6.1	7.0	6.1

Performance Graph at 230V, 60Hz, 0.75HP Typical performance - Not guaranteed values





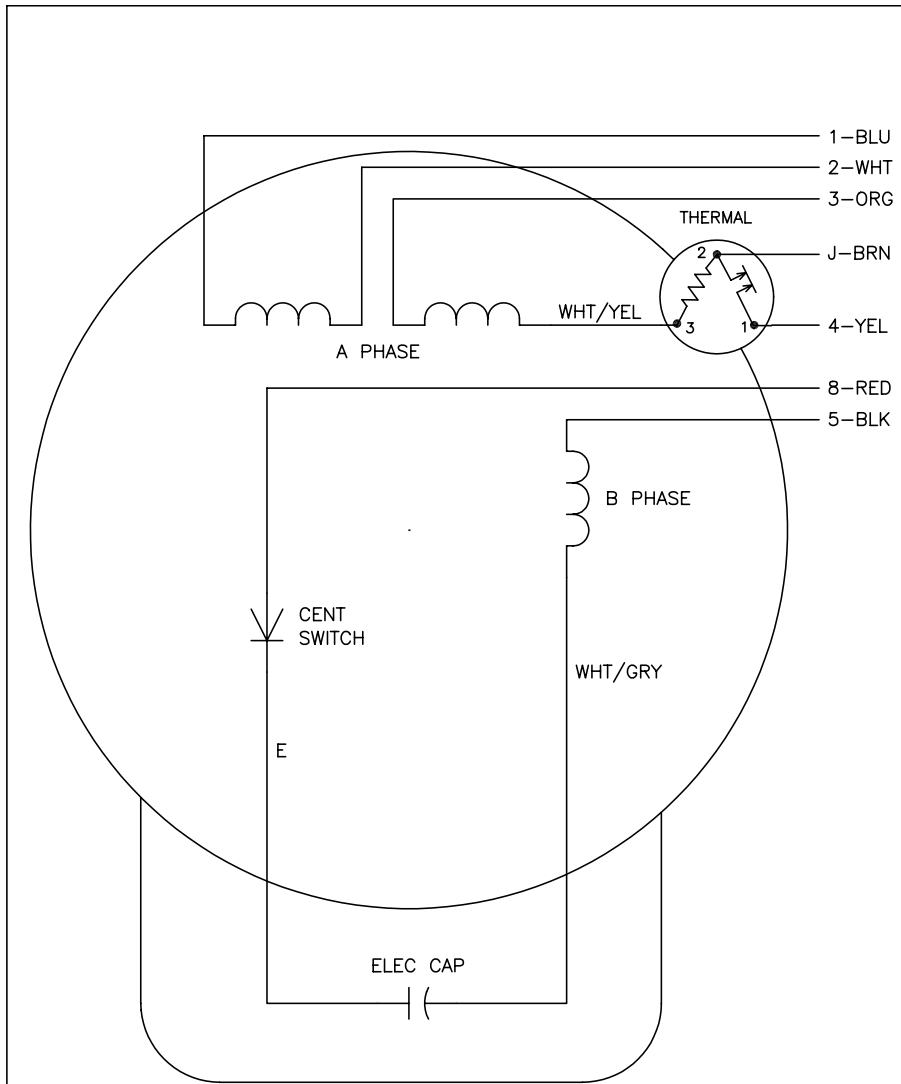
CUSTOMER IS RESPONSIBLE FOR DETERMINING THAT MOTOR PERFORMANCE IS SUITABLE IN THE APPLICATION.

REV. DESC: MOVED CAP BOX .25 TOWARD PU END; NEW KBOX & LID			
REV. LTR: D	BY: RT	REVISED: 11:21:05 10/16/2003	TDR: 312052
34LYF074		FILE: AAA00026594	REF: 34LYF074
		MTL: -	

<b>BALDOR ELECTRIC Co.</b>
STD HORZ MODEL 34L NEMA 56 OPEN W/3 PHASE ER'S & LG CAPAC

34LYF074

CD0269



	LINE A	LINE B	JOIN	JOIN
HIGH STD	1,8	4	2,3,5	J
HIGH OPP	1,5	4	2,3,8	J
LOW STD	1,3,8	4	-	2,J,5
LOW OPP	1,3,5	4	-	2,J,8

- NOTES:
1. STANDARD ROTATION IS CCW FACING END OPPOSITE SHAFT EXTENSION.
  2. MULTIPLE CAPACITORS ARE CONNECTED IN PARALLEL UNLESS OTHERWISE SPECIFIED.
  3. LEAD COLORS ARE OPTIONAL. LEADS MUST ALWAYS BE NUMBERED AS SHOWN.

REV. DESC: REVISE TO SHOW OPTIONAL COLORS			
REV. LTR: E	BY: JLP	REVISED: 04/08/99 1:07	TDR: 0178636
692000		FILE: AAA00007421	MDL: -
		MTL: -	

**BALDOR ELECTRIC Co.**

TYPE L, DV, REV, THERMAL, B PH AMPS THRU HTR HVC, 7 LEAD

CD0269