

BALDOR® • RELIANCE

Product Information Packet

ELECTRIC MOTOR WHOLESAL.COM

L1308

.75HP, 1140RPM, 1PH, 60HZ, 56/56H, 3528LC

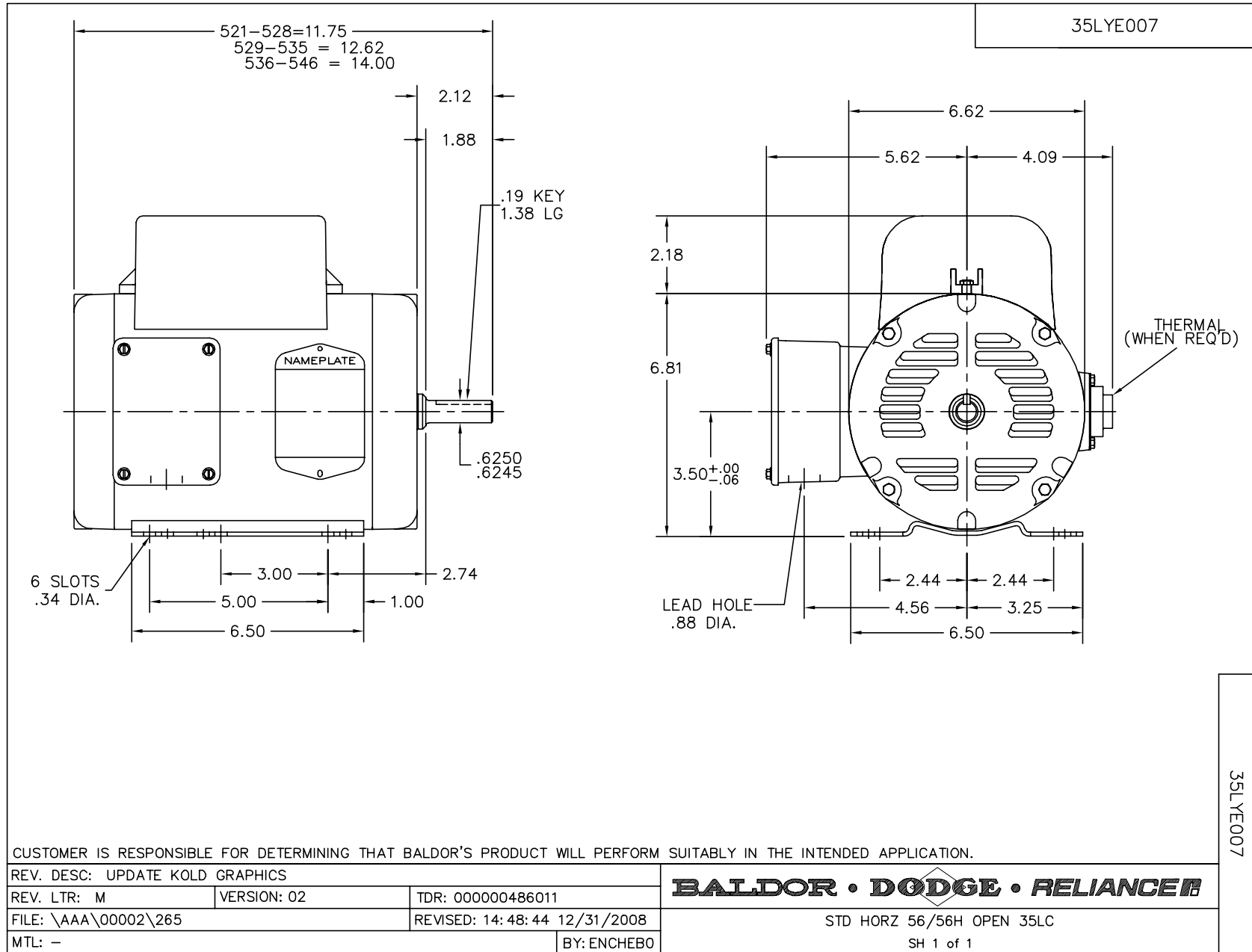
| Part Detail | | | | | | | |
|-------------|--------|-------------|--------|----------------|---------|---------------|------------|
| Revision: | AJ | Status: | PRD/A | Change #: | | Proprietary: | No |
| Type: | AC | Prod. Type: | 3528LC | Elec. Spec: | 35WG007 | CD Diagram: | |
| Enclosure: | OPEN | Mfg Plant: | | Mech. Spec: | 35E007 | Layout: | |
| Frame: | 56/56H | Mounting: | F1 | Poles: | 06 | Created Date: | |
| Base: | RG | Rotation: | R | Insulation: | B | Eff. Date: | 03-04-2011 |
| Leads: | 6#18 | Literature: | | Elec. Diagram: | | Replaced By: | |

| Nameplate NP1256L | | | | | | | | | |
|-------------------|--------------|------|--|----------------|------|-----|---|-------|---|
| CAT.NO. | L1308 | | | | | | | | |
| SPEC. | 35E07W07 | | | | | | | | |
| HP | .75 | | | | | | | | |
| VOLTS | 115/230 | | | | | | | | |
| AMP | 10/5 | | | | | | | | |
| RPM | 1140 | | | | | | | | |
| FRAME | 56/56H | HZ | | | 60 | PH | 1 | | |
| SER.F. | 1.15 | CODE | | | L | DES | N | CLASS | B |
| NEMA-NOM-EFF | 68 | PF | | | 68 | | | | |
| RATING | 40C AMB-CONT | | | | | | | | |
| CC | | | | USABLE AT 208V | | 5.3 | | | |
| DE | 6205 | ODE | | | 6203 | | | | |
| ENCL | OPEN | SN | | | | | | | |
| | | | | | | | | | |

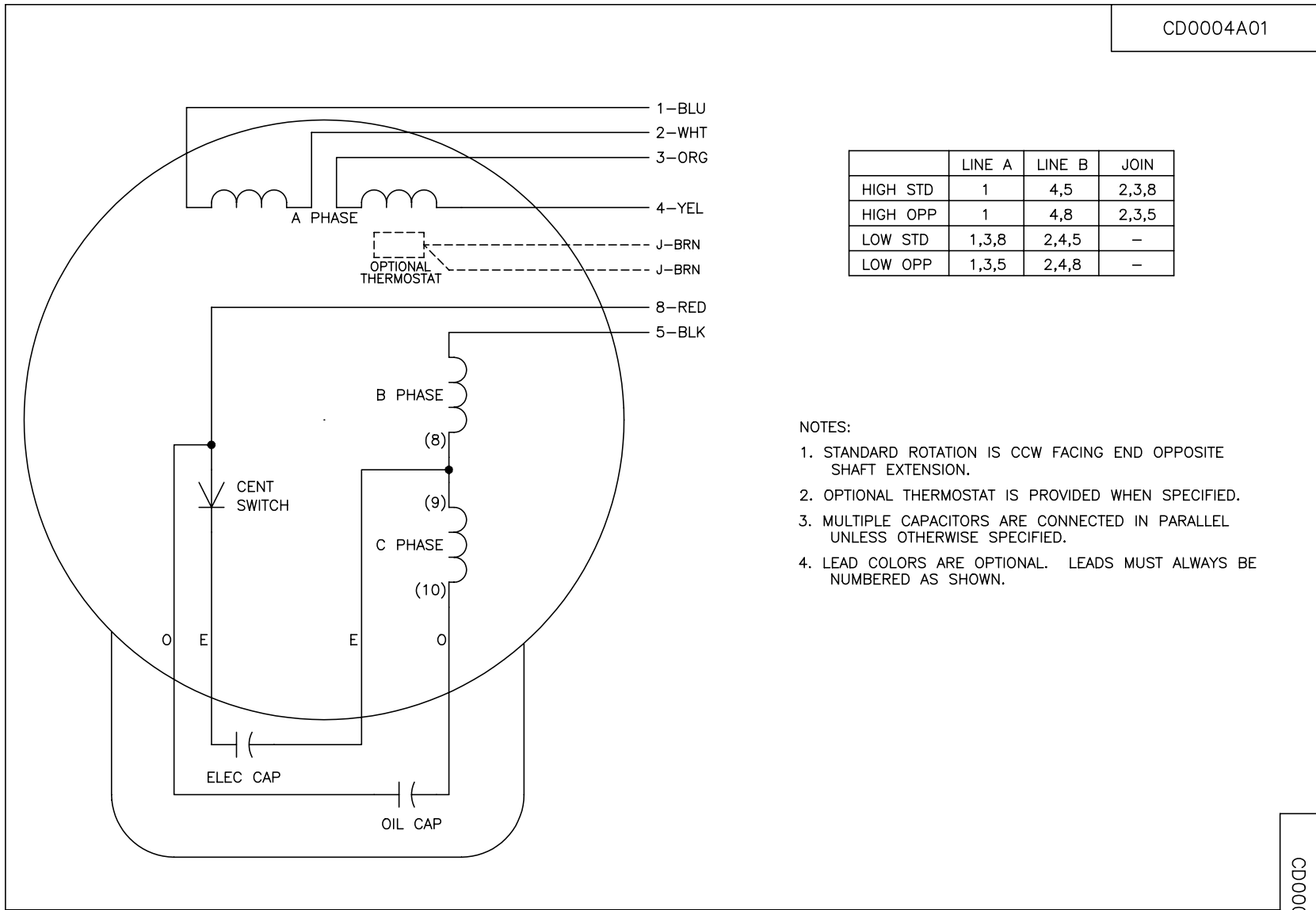
| Parts List | | |
|-------------|--|----------|
| Part Number | Description | Quantity |
| SA023774 | SA 35E07W07 | 1.000 EA |
| RA019824 | RA 35E07W07 | 1.000 EA |
| OC3012F12SP | CYL OIL CAP 12MFD/370V | 1.000 EA |
| EC1400A03SP | ELEC CAP, 400-480 MFD, 125V, 1.81D X 3. | 1.000 EA |
| NS2512A01 | INSULATOR, CONDUIT BOX X | 1.000 EA |
| 35CB3007 | 35 CB CASTING W/.88 DIA. LEAD HOLE | 1.000 EA |
| 51XB1016A07 | 10-16 X 7/16 HXWSSLD SERTYB | 2.000 EA |
| 11XW1032G06 | 10-32 X .38, TAPTITE II, HEX WSHR SLTD U | 1.000 EA |
| 35EP3201A03 | STD FR EP OPEN-203BRG-35L OR M FRAME--LE | 1.000 EA |
| 51XW0832A07 | 8-32 X .44, TAPTITE II, HEX WSHR SLTD SE | 2.000 EA |
| NS2501A02 | INSULATOR, CAPACITOR BOX | 1.000 EA |
| 35CB3801SP | CAPACITOR COVER, CAST | 1.000 EA |
| HA7010 | CAPACITOR RETENTION CLAMP | 1.000 EA |
| 51XB1016A08 | 10-16X 1/2HXWSSLD SERTYB | 2.000 EA |
| HW5100A03SP | WAVY WASHER (W1543-017) | 1.000 EA |
| 35EP3200A02 | STD PU ENDPLATE-OPEN-205 BRG | 1.000 EA |
| XY1032A02 | 10-32 HEX NUT DIRECTIONAL SERRATION | 4.000 EA |
| 35CB4521 | 35 LIPPED CB LID (GALV & PHOSPH) | 1.000 EA |
| 51XW0832A07 | 8-32 X .44, TAPTITE II, HEX WSHR SLTD SE | 4.000 EA |
| HW2501D13SP | KEY, 3/16 SQ X 1.375 | 1.000 EA |
| HA7000A04 | KEY RETAINER 0.625 DIA SHAFTS | 1.000 EA |
| 85XU0407S04 | 4X1/4 U DRIVE PIN STAINLESS | 2.000 EA |
| SP1006A01 | TERM. BOARD, MODE 35 SW X H-23655 | 1.000 EA |
| MJ1000A75 | GREASE, POLYREX EM EXXON | 0.050 LB |

| Parts List (continued) | | |
|------------------------|--|----------|
| Part Number | Description | Quantity |
| MG1000G27 | PAINT- S9282E CHARCOAL GREY | 0.017 GA |
| HA3100A18 | THRUBOLT 10-32 X 9.250 | 4.000 EA |
| 34GS5003 | FOAM SLEEVE, ID = 2 1/16" X 3 3/8" | 1.000 EA |
| WD1000A15 | 3-520132-2 AMP FLAG (4M/RL NON-CANC/NON- | 4.000 EA |
| SP5056A52 | MODEL 35 LC STATIONARY SWITCH LEAD ASSY | 1.000 EA |
| LB1125C01 | STD (STOCK) CARTON LABEL BALDOR WITH FLA | 1.000 EA |
| LC0001A01 | CONN LABEL / WARNING LABEL (LC0001 / LB1 | 1.000 EA |
| NP1256L | ALUM, UL CSA CC, W/O THERMAL, LASER | 1.000 EA |
| 35PA1066 | PACKING GROUP COMBINED PRINT | 1.000 EA |

| Accessories | | |
|--------------------|--------------------|-------------------|
| Part Number | Description | Multiplier |
| 35-8764 | C FACE KIT | A8 |
| 35EP1604A01SP | D-FLANGE KIT | A8 |



CD0004A01



| | LINE A | LINE B | JOIN |
|----------|--------|--------|-------|
| HIGH STD | 1 | 4,5 | 2,3,8 |
| HIGH OPP | 1 | 4,8 | 2,3,5 |
| LOW STD | 1,3,8 | 2,4,5 | - |
| LOW OPP | 1,3,5 | 2,4,8 | - |

NOTES:

1. STANDARD ROTATION IS CCW FACING END OPPOSITE SHAFT EXTENSION.
2. OPTIONAL THERMOSTAT IS PROVIDED WHEN SPECIFIED.
3. MULTIPLE CAPACITORS ARE CONNECTED IN PARALLEL UNLESS OTHERWISE SPECIFIED.
4. LEAD COLORS ARE OPTIONAL. LEADS MUST ALWAYS BE NUMBERED AS SHOWN.

| | | | |
|---|---------|------------------------|--------------|
| REV. DESC: REVISE TO SHOW OPTIONAL COLORS | | | |
| REV. LTR: F | BY: JLP | REVISED: 04/09/99 3:03 | TDR: 0178636 |
| CD0004A01 | | FILE: AAA00007406 | MDL: - |
| | | MTL: - | |

BALDOR ELECTRIC Co.

TYPE LC, DV, REV, C PHASE, 6 LEADS

CD0004A01