

# **BALDOR® • RELIANCE**

**Product Information Packet**

**ELECTRIC MOTOR WHOLESAL.COM**

**L1403**

**1.5HP,1725RPM,1PH,60HZ,184,3623L,OPEN,F1**

| Part Detail |                  |             |       |                |          |               |            |
|-------------|------------------|-------------|-------|----------------|----------|---------------|------------|
| Revision:   | W                | Status:     | PRD/A | Change #:      |          | Proprietary:  | No         |
| Type:       | AC               | Prod. Type: | 3623L | Elec. Spec:    | 36WG0078 | CD Diagram:   |            |
| Enclosure:  | OPEN             | Mfg Plant:  |       | Mech. Spec:    | 36D011   | Layout:       |            |
| Frame:      | 184              | Mounting:   | F1    | Poles:         | 04       | Created Date: |            |
| Base:       | RG               | Rotation:   | R     | Insulation:    | B        | Eff. Date:    | 06-18-2009 |
| Leads:      | 4#14 A PH,2#16 B | Literature: |       | Elec. Diagram: |          | Replaced By:  |            |

| Nameplate NP1256L |              |      |  |                |      |     |   |       |   |
|-------------------|--------------|------|--|----------------|------|-----|---|-------|---|
| CAT.NO.           | L1403        |      |  |                |      |     |   |       |   |
| SPEC.             | 36D11-78     |      |  |                |      |     |   |       |   |
| HP                | 1.5          |      |  |                |      |     |   |       |   |
| VOLTS             | 115/230      |      |  |                |      |     |   |       |   |
| AMP               | 19/9.5       |      |  |                |      |     |   |       |   |
| RPM               | 1725         |      |  |                |      |     |   |       |   |
| FRAME             | 184          | HZ   |  |                | 60   | PH  | 1 |       |   |
| SER.F.            | 1.15         | CODE |  |                | K    | DES | L | CLASS | B |
| NEMA-NOM-EFF      | 68           | PF   |  |                | 67   |     |   |       |   |
| RATING            | 40C AMB-CONT |      |  |                |      |     |   |       |   |
| CC                |              |      |  | USABLE AT 208V |      | 10  |   |       |   |
| DE                | 6206         | ODE  |  |                | 6205 |     |   |       |   |
| ENCL              | OPEN         | SN   |  |                |      |     |   |       |   |
|                   |              |      |  |                |      |     |   |       |   |

| Parts List    |                                          |          |
|---------------|------------------------------------------|----------|
| Part Number   | Description                              | Quantity |
| SA034380      | SA 36D11-78                              | 1.000 EA |
| RA030408      | RA 36D11-78                              | 1.000 EA |
| EC1850A06SP   | ELEC CAP 115V 2.0 X 4.3 X                | 1.000 EA |
| 36CB3004      | 36 CB CASTING W/1.09 DIA LEAD HOLE @ 6:0 | 1.000 EA |
| 51XB1016A08   | 10-16X 1/2HXWSSLD SERTYB                 | 2.000 EA |
| 11XW1032G06   | 10-32 X .38, TAPTITE II, HEX WSHR SLTD U | 1.000 EA |
| HW3001B01     | 003SS CUP WASHER, FOR #8 SCREW           | 1.000 EA |
| 36EP3200A01SP | FR ENDPLATE, MACH                        | 1.000 EA |
| HW4500A01     | 1641B(ALEMITE)400 UNIV, GREASE FITT      | 1.000 EA |
| 13XT0832A07   | 8-32X7/16 TYP 23 PAN HD SLT DX           | 2.000 EA |
| NS2501A01     | INSULATOR, CAPACITOR                     | 1.000 EA |
| SP1008A01     | BAFFLE, MODEL 36 & 37                    | 1.000 EA |
| 35CB4802A02SP | CAPACITOR COVER, STAMPED X W/AUTOPHORET  | 1.000 EA |
| 51XB1016A05   | 10-16X5/16HX WA SL SR TYB (F/S)          | 2.000 EA |
| HW5100A05     | WVY WSHR F/205 & 304 BRGS                | 1.000 EA |
| 36EP3201A01   | PU ENDPLATE, MACH 182-4T                 | 1.000 EA |
| HW4500A01     | 1641B(ALEMITE)400 UNIV, GREASE FITT      | 1.000 EA |
| XY2520A12     | 1/4-20 HEX NUT, DIRECTIONAL SERRATIONS   | 4.000 EA |
| 36CB4516      | 36 LIPPED CB LID                         | 1.000 EA |
| 51XW0832A07   | 8-32 X .44, TAPTITE II, HEX WSHR SLTD SE | 4.000 EA |
| HW2501D13SP   | KEY, 3/16 SQ X 1.375                     | 1.000 EA |
| HA7000A01     | KEY RETAINER 7/8" DIA SHAFT              | 1.000 EA |
| 85XU0407S04   | 4X1/4 U DRIVE PIN STAINLESS              | 2.000 EA |
| WD1000A15     | 3-520132-2 AMP FLAG (4M/RL NON-CANC/NON- | 2.000 EA |

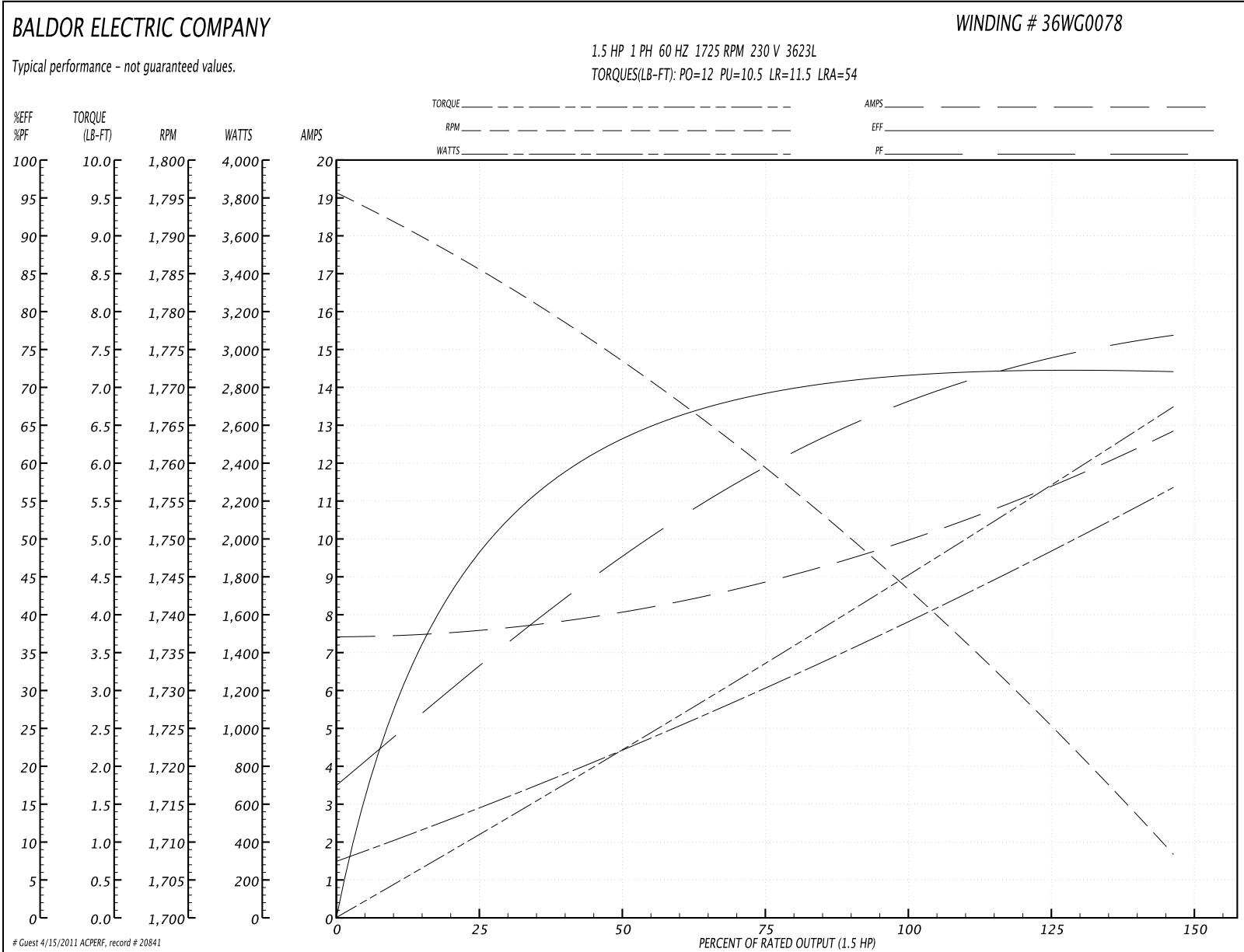
| Parts List (continued) |                                          |          |
|------------------------|------------------------------------------|----------|
| Part Number            | Description                              | Quantity |
| MJ1000A75              | GREASE, POLYREX EM EXXON                 | 0.050 LB |
| MG1000G27              | PAINT- S9282E CHARCOAL GREY              | 0.022 GA |
| HA3101A23              | THRUBOLT 1/4-20 X 9.625 DEMBY            | 4.000 EA |
| SP5061A01              | MODEL 36 TYPE L,F1,SMALL CAP CAN         | 1.000 EA |
| LB1125C01              | STD (STOCK) CARTON LABEL BALDOR WITH FLA | 1.000 EA |
| LC0001A01              | CONN LABEL / WARNING LABEL (LC0001 / LB1 | 1.000 EA |
| NP1256L                | ALUM, UL CSA CC, W/O THERMAL, LASER      | 1.000 EA |
| 36PA1000               | PACK GROUP W/LB5001                      | 1.000 EA |

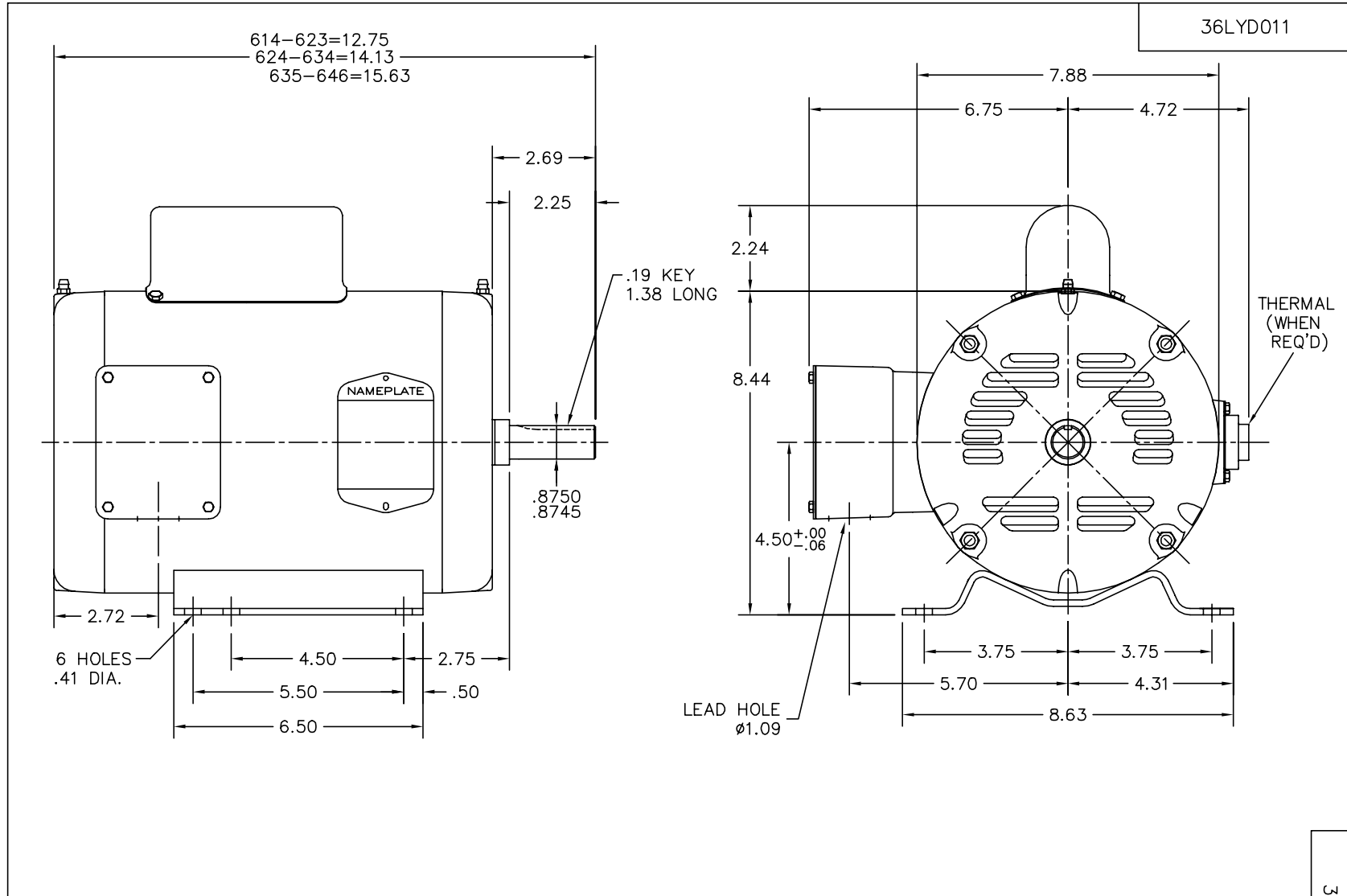
| <b>Accessories</b> |                    |                   |
|--------------------|--------------------|-------------------|
| <b>Part Number</b> | <b>Description</b> | <b>Multiplier</b> |
| 36-486             | C FACE KIT         | A8                |
| 36EP1405A09SP      | D-FLANGE KIT       | A8                |

**Performance Data at 230V, 60Hz, 1.5HP (Typical performance - Not guaranteed values)**

| General Characteristics  |                                   |        |        |                      |            |        |        |
|--------------------------|-----------------------------------|--------|--------|----------------------|------------|--------|--------|
| Full Load Torque:        | 4.5 LB-FT                         |        |        | Start Configuration: | DOL        |        |        |
| No-Load Current:         | 7.4 Amps                          |        |        | Break-Down Torque:   | 12.0 LB-FT |        |        |
| Line-line Res. @ 25°C.:  | 0.341 Ohms A Ph / 0.925 Ohms B Ph |        |        | Pull-Up Torque:      | 10.5 LB-FT |        |        |
| Temp. Rise @ Rated Load: | 72 C                              |        |        | Locked-Rotor Torque: | 11.5 LB-FT |        |        |
| Temp. Rise @ S.F. Load:  | 88 C                              |        |        | Starting Current:    | 54.0 Amps  |        |        |
| Load Characteristics     |                                   |        |        |                      |            |        |        |
| % of Rated Load          | 25                                | 50     | 75     | 100                  | 125        | 150    | S.F.   |
| Power Factor:            | 33.0                              | 48.0   | 59.0   | 68.0                 | 74.0       | 79.0   | 72.0   |
| Efficiency:              | 47.8                              | 63.0   | 69.3   | 71.9                 | 72.6       | 71.8   | 72.3   |
| Speed:                   | 1785.0                            | 1773.0 | 1759.0 | 1744.0               | 1727.0     | 1708.0 | 1734.0 |
| Line Amperes:            | 7.6                               | 8.1    | 8.9    | 9.95                 | 11.2       | 12.9   | 10.7   |

Performance Graph at 230V, 60Hz, 1.5HP Typical performance - Not guaranteed values





CUSTOMER IS RESPONSIBLE FOR DETERMINING THAT MOTOR PERFORMANCE IS SUITABLE IN THE APPLICATION.

REV. DESC: CORRECT PLOT FILE

REV. LTR: F | BY: JF | REVISED: 10:21:47 06/04/2003 | TDR: 304239

110DA79E

FILE: AAA00002581

REF: 36LYD011

MTL: -

**BALDOR ELECTRIC Co.**

STD HORZ 182-4 OPEN 36L

36LYD011

CD0001



|                                           |         |                        |              |
|-------------------------------------------|---------|------------------------|--------------|
| REV. DESC: REVISE TO SHOW OPTIONAL COLORS |         |                        |              |
| REV. LTR: D                               | BY: JLP | REVISED: 04/08/99 1:16 | TDR: 0178636 |
| 100000                                    |         | FILE: AAA00007405      | MDL: -       |
|                                           |         | MTL: -                 |              |

**BALDOR ELECTRIC Co.**

TYPE L, DV, REV, 6 LEADS

CD0001