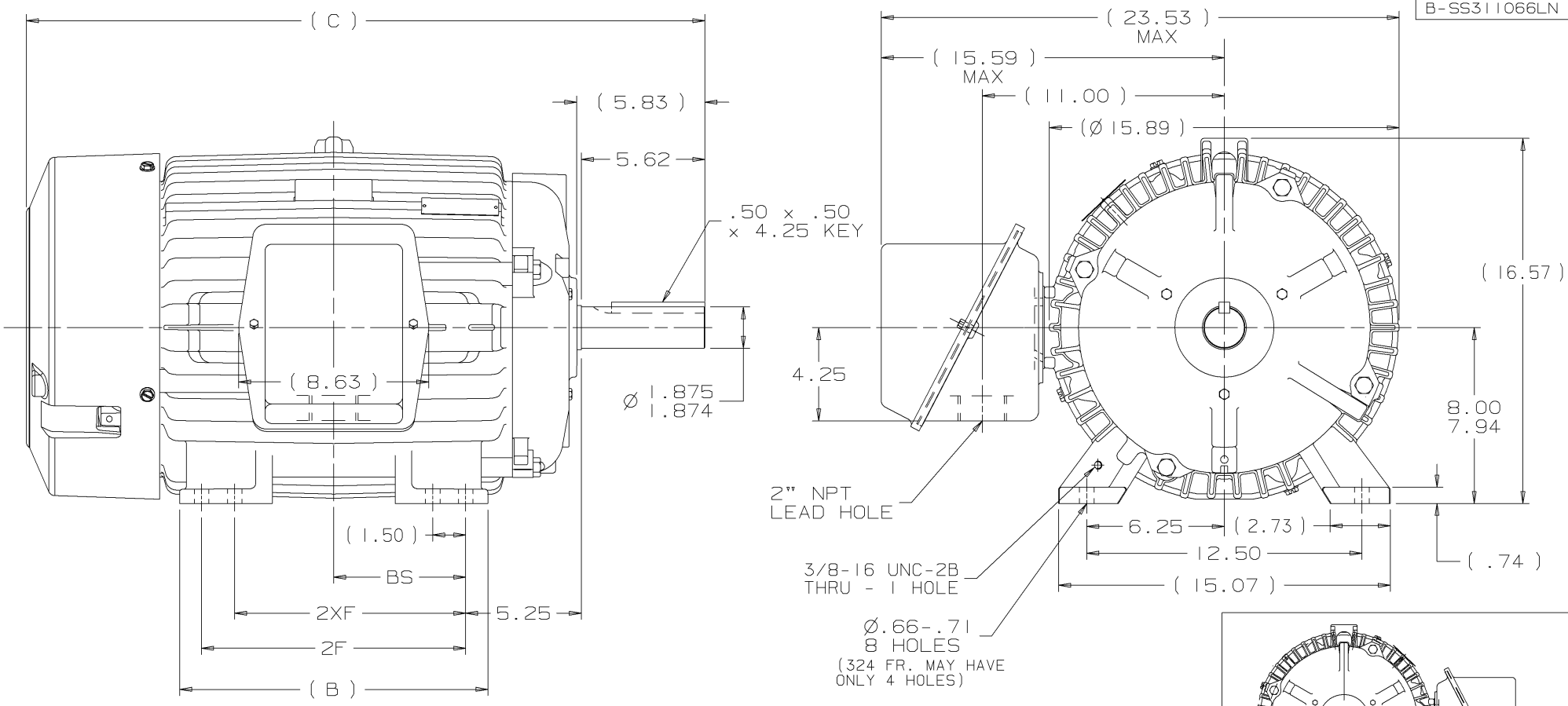


B-SS311066LN



NOTES

1. BOX CAN BE ROTATED IN 90° STEPS
2. BOX CAN BE MOUNTED ON OPPOSITE SIDE BY REMOVING BRACKETS AND TURNING FRAME 180°
3. NAMEPLATE TO BE READ FROM CONDUIT BOX SIDE OF MOTOR

DASH	FRAME	B	C	2F	2XF	BS	REV	DATE	CHANGE	NAME	PART NAME	DRWG NO
1475	324U	14.00	29.34	10.50		5.25	2	03-06-2001	DASH 1475 (B) 14.00 WAS 12.50 CN 29200-146B	HLB	OUTLINE - TFPA - CAST C'BOX 320U FR. - TEFC - STD - 12.50 LAM	B-SS311066LN
1625	326U	14.00	30.84	12.00	10.50	6.00	1	10-24-2000	NEW DRAWING	DRS		



UNLESS OTHERWISE SPECIFIED DIMENSIONS ARE IN INCHES
TOL. ON XX±.03 XXX±.005 XXXX±.0005 ANGLES± 7'30"

MAX. SURFACE ROUGHNESS UNLESS OTHERWISE NOTED

FINISH

MATERIAL

DRAWN BY DRS 10-18-2000

CHKD BY ML 10-24-2000

APPD BY SW 10-24-2000

PURCHASED

CADD FILE NO. SS311066LN

ERROR: syntaxerror
OFFENDING COMMAND: --nostringval--

STACK:

/im
-savelevel-