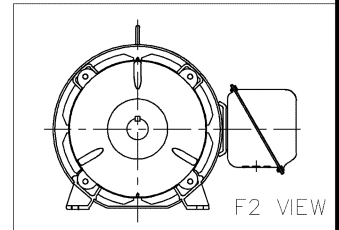
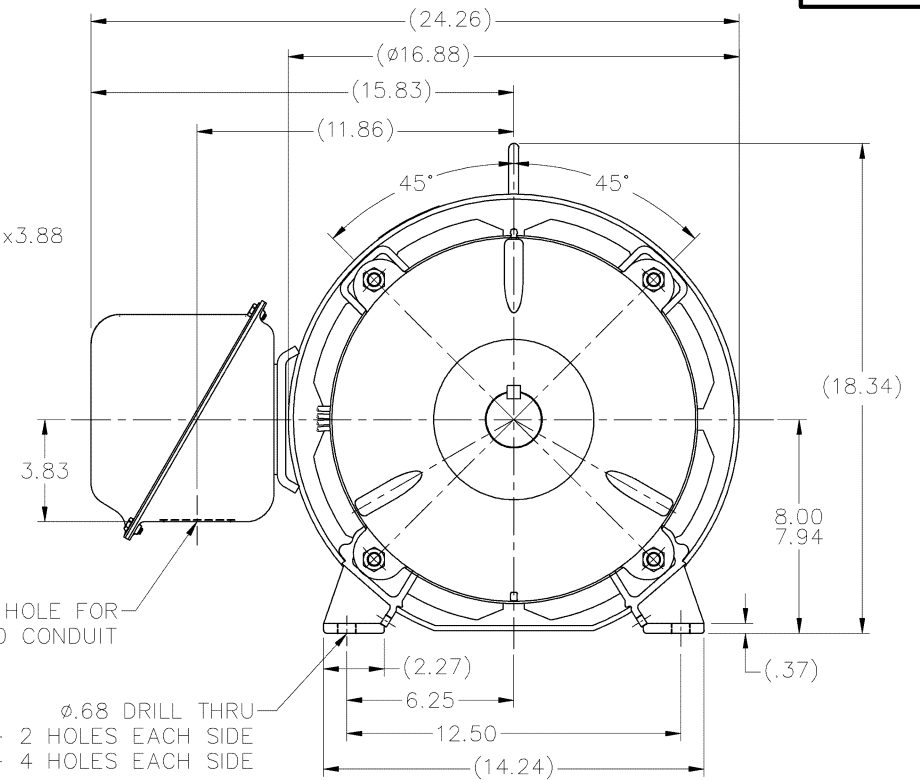


.50x.50x3.88
KEY

HOLE FOR
Ø2.50 CONDUIT
Ø.68 DRILL THRU
324 - 2 HOLES EACH SIDE
326 - 4 HOLES EACH SIDE



NOTES:
1. CONDUIT BOX CAN BE ROTATED IN 90° STEPS.
2. NAMEPLATES TO BE READ FROM CONDUIT BOX SIDE OF MOTOR.

DASH	FRAME	C	BS	B	2F	2FF	2FFF
1550	324T	28.50	10.62	13.52	10.50		
1700	326T	30.00	12.12	15.02	12.00	10.50	10.50

		TOLERANCES UNLESS SPECIFIED			DRAWN MSG 09-17-2001		
DEC.	INCHES	CHK	ML 09-17-2001				
X	±.1				APPD HNH 09-24-2001	SCALE 1=4.5	
XX	±.03	TITLE OUTLINE NEMA MOTORS			REF		
XXX	±.005	320T FR. -TEFC -UE 1			FMF		
XXXX	±.0005	MAT'L			PREV		
NO	REVISION	BY & DATE	CHK	ANG ±7'30"	FINISH		
THIS DRAWING IN DESIGN AND DETAIL IS OUR PROPERTY AND MUST NOT BE USED EXCEPT IN CONNECTION WITH OUR WORK ALL RIGHTS OF DESIGN AND INVENTION ARE RESERVED THIS IS AN ELECTRONICALLY GENERATED DOCUMENT - DO NOT SCALE THIS PRINT		RFP 09-24-2001	CHK	ANG	FINISH	SIZE B	DRAWING NO. XG2F1SS1
		DIST BY				PAGE OF 1	REV. 1