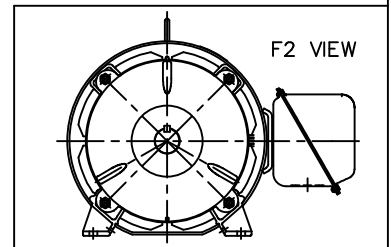
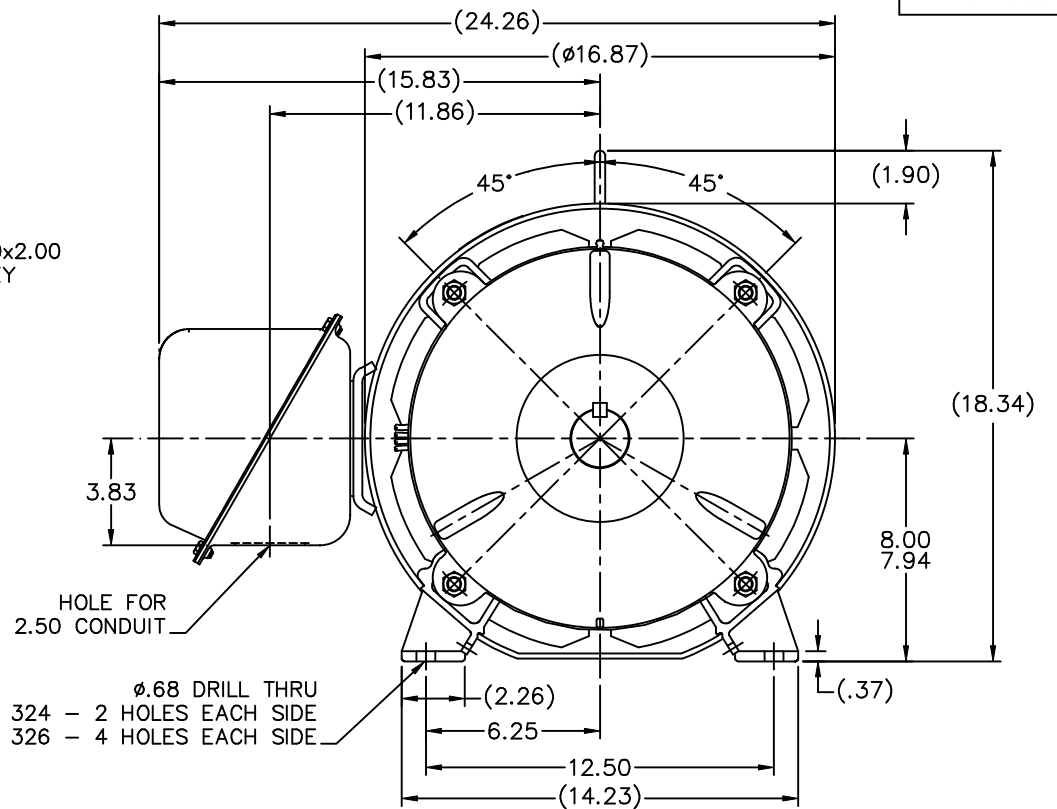
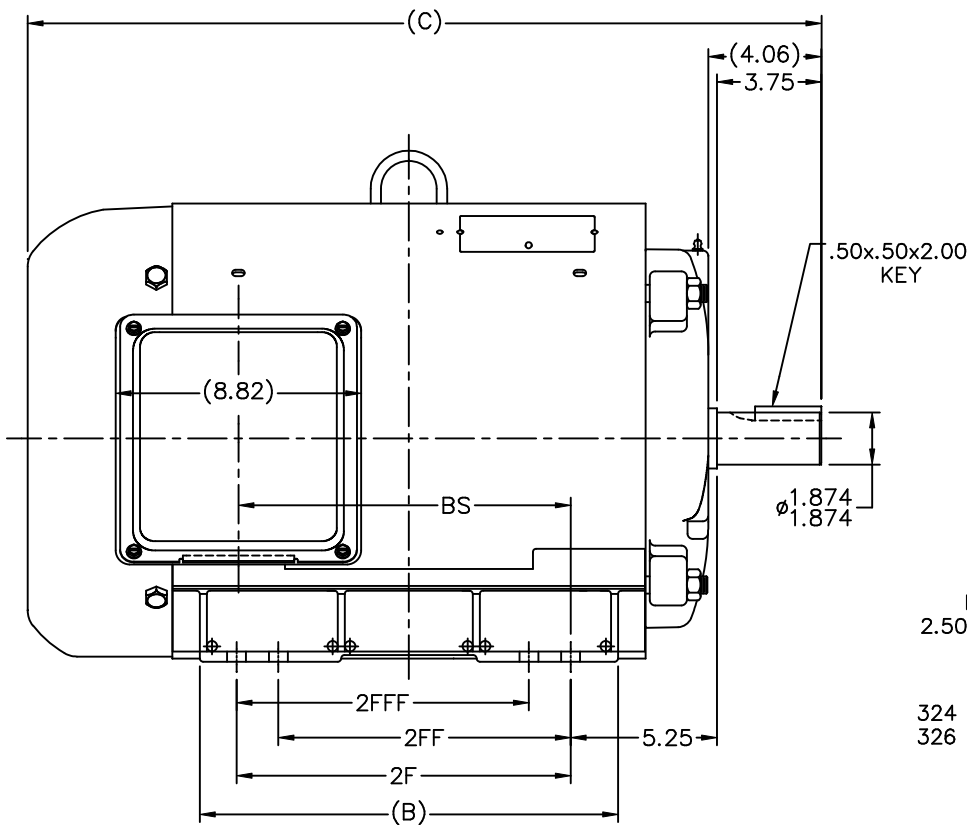


XG2F1SS2



- NOTES:
 1. CONDUIT BOX CAN BE ROTATED IN 90° STEPS.
 2. NAMEPLATES TO BE READ FROM CONDUIT BOX SIDE OF MOTOR.

DASH	FRAME	C	BS	B	2F	2FF	2FFF
1550	324TS	27.00	10.62	13.52	10.50		
1700	326TS	28.50	12.12	15.02	12.00	10.50	10.50

				TOLERANCES UNLESS SPECIFIED		Lincoln MOTOR		DRAWN CTO 09-16-2002				
				DEC.	INCHES			CHK	ML	09-16-2002		
				.X	±.1			APPD	HNH	09-16-2002		
2	ADDED F2 VIEW PER MU51178	CTO 10-01-2004	HNH	.XXX	±.005	TITLE OUTLINE NEMA MOTORS		SCALE .225=1				
1	NEW DRAWING	CN 34929	CTO 09-16-2002	ML	.XXXX	±.0005	320TS FR. - TEFC - UE		REF			
NO.	REVISION	BY & DATE	CHK	ANG	±7'30"		FINISH	PREV				
THIS DRAWING IN DESIGN AND DETAIL IS OUR PROPERTY AND MUST NOT BE USED EXCEPT IN CONNECTION WITH OUR WORK ALL RIGHTS OF DESIGN AND INVENTION ARE RESERVED THIS IS AN ELECTRONICALLY GENERATED DOCUMENT - DO NOT SCALE THIS PRINT							RFP	CAD FILE xg2f1ss2	SIZE	DRAWING NO.	PAGE OF	REV.
							DIST BY	B	XG2F1SS2	2		