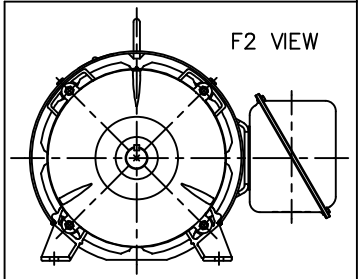
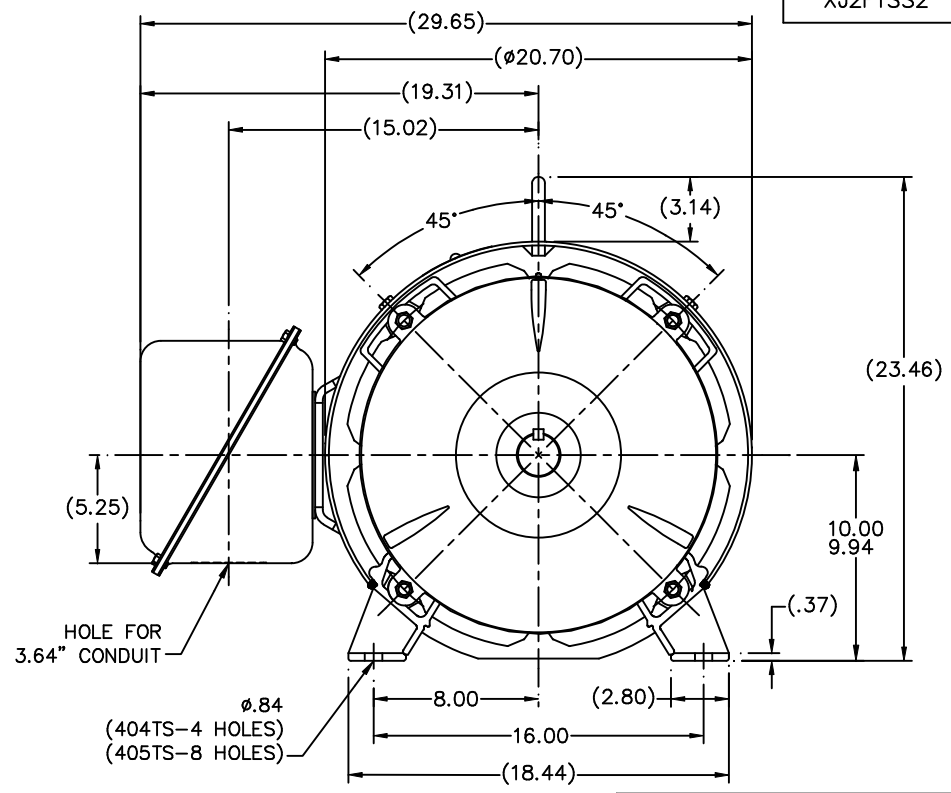
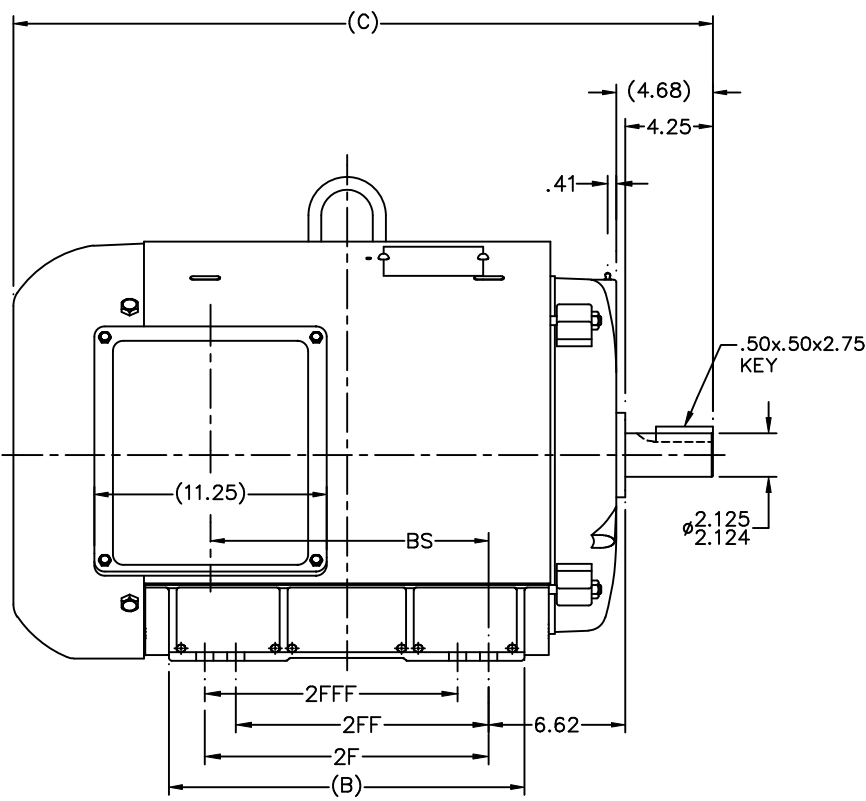


XJ2F1SS2



NOTES:  
 1. CONDUIT BOX CAN BE ROTATED IN 90° STEPS.  
 2. NAMEPLATES TO BE READ FROM CONDUIT BOX SIDE OF MOTOR

1796	404TS	33.90	---	15.75	12.25	---	---	12.17
1946	405TS	35.40	---	17.25	13.75	12.25	12.25	13.67
DASH	FRAME	C	AG	B	2F	2FF	2FFF	BS

		TOLERANCES UNLESS SPECIFIED				DRAWN TJB 05-23-2002	
		DEC.	INCHES			CHK ML 05-28-2002	
		.X	±.1			APPD HNH 05-28-2002	
		.XX	±.03	TITLE OUTLINE		SCALE 1=6	
		.XXX	±.005	400TS - TEFC - UE		REF	
1	NEW DRAWING MU41848	TJB	05-28-2002	HNH	.XXXX	±.0005	FMF
NO.	REVISION	BY & DATE	CHK	ANG	±7'30"	FINISH	PREV
THIS DRAWING IN DESIGN AND DETAIL IS OUR PROPERTY AND MUST NOT BE USED EXCEPT IN CONNECTION WITH OUR WORK ALL RIGHTS OF DESIGN AND INVENTION ARE RESERVED THIS IS AN ELECTRONICALLY GENERATED DOCUMENT - DO NOT SCALE THIS PRINT				RFP	CAD FILE XJ2F1SS2		SIZE DRAWING NO. PAGE OF REV.
				DIST BY	B	XJ2F1SS2	1

ERROR: syntaxerror  
OFFENDING COMMAND: --nostringval--

STACK:

/terminate  
-dictionary-  
/Pscript\_WinNT\_Compat  
-dictionary-