

# **BALDOR® • RELIANCE**

**Product Information Packet**

**ELECTRIC MOTOR WHOLESALE.COM**

**M2394T**

**15HP,3450RPM,3PH,60HZ,254T,0750M,TEFC,F1**

Part Detail							
Revision:	V	Status:	INA/A	Change #:		Proprietary:	No
Type:	AC	Prod. Type:	0750M	Elec. Spec:	07WGW677	CD Diagram:	
Enclosure:	TEFC	Mfg Plant:		Mech. Spec:	07H203	Layout:	
Frame:	254T	Mounting:	F1	Poles:	02	Created Date:	
Base:	RG	Rotation:	R	Insulation:	F	Eff. Date:	02-10-2010
Leads:	9#14	Literature:		Elec. Diagram:		Replaced By:	

Nameplate NP1256L									
CAT.NO.	M2394T								
SPEC.	07H203W677H1								
HP	15								
VOLTS	208-230/460								
AMP	37.5-34/17								
RPM	3450								
FRAME	254T	HZ			60	PH	3		
SER.F.	1.15	CODE			K	DES	A	CLASS	F
NEMA-NOM-EFF	90.2	PF			91				
RATING	40C AMB-CONT								
CC	010A	USABLE AT 208V			37.5				
DE	6309	ODE			6307				
ENCL	TEFC	SN							

Parts List		
Part Number	Description	Quantity
SA021119	SA 07H203W677H1	1.000 EA
RA017172	RA 07H203W677H1	1.000 EA
S/P101-000-000	EPACT PROCEDURES-FS PLANT-POLYREX EM, NO	1.000 EA
HW3201A01	1/2-13 EYEBOLT	1.000 EA
09CB3002SP	CB W/1.38 LEAD HOLE FOR 37, 39, 307 & 30	1.000 EA
09GS1000SP	GASKET-CONDUIT BOX, 1/16 THICK LEXIDE	1.000 EA
51XW2520A12	.25-20 X .75, TAPTITE II, HEX WSHR SLTD	2.000 EA
WD1000B17	KPA-8C BURNDY TERMINAL	1.000 EA
51XW1032A06	10-32 X .38, TAPTITE II, HEX WSHR SLTD S	1.000 EA
37EP1101A03	FR/PU ENDPLATE, MACH	1.000 EA
HW4500A01	1641B(ALEMITE)400 UNIV, GREASE FITT	1.000 EA
HW5100A08	W3118-035 WVY WSHR (WB)	1.000 EA
07EP1116A01	ENDPLATE, MACH	1.000 EA
HW4500A01	1641B(ALEMITE)400 UNIV, GREASE FITT	1.000 EA
XY3118A12	5/16-18 HEX NUT DIRECTIONAL SERRATION	4.000 EA
51XB1214A20	12-14X1.25 HXWSSLD SERTYB	1.000 EA
07FH4007SP	IEC FH W/GRSR, NOTCH @ 6:00 & 3 FAN CVR	1.000 EA
51XW1032A06	10-32 X .38, TAPTITE II, HEX WSHR SLTD S	3.000 EA
09CB3501SP	CONDUIT BOX LID FOR 09CB3001 & 09CB3002	1.000 EA
09GS1013SP	09 GS FOR 09CB3501 LID - LEXIDE	1.000 EA
51XW2520A12	.25-20 X .75, TAPTITE II, HEX WSHR SLTD	2.000 EA
HW2501G25	KEY, 3/8 SQ X 2.875	1.000 EA
HA7000A03	KEY RETAINER RING 1.62 & 1.88 DIA. SH	1.000 EA
LB1115	LABEL,LIFTING DEVICE	1.000 EA

Parts List (continued)		
Part Number	Description	Quantity
85XU0407S04	4X1/4 U DRIVE PIN STAINLESS	2.000 EA
MJ1000A75	GREASE, POLYREX EM EXXON	0.050 LB
HA3104A58	THRUBOLT- 5/16-18 X 14.500	4.000 EA
MG1000G27	PAINT- S9282E CHARCOAL GREY	0.036 GA
36FN3000C02	EXFN, PLASTIC, 5.25 OD, 1.175 ID	1.000 EA
LB1125C04	STD-E (STOCK CTN LABEL STD-E WITH FLAG)	1.000 EA
LC0005E01	CONN.DIA./WARNING LABEL (LC0005/LB1119)	1.000 EA
NP1256L	ALUM, UL CSA CC, W/O THERMAL, LASER	1.000 EA
07PA1011	PKG GRP, 07 CAST IRON PK1181	1.000 EA
10XL3807A32	3/8 X 2" LAG SCREW TDR #49106	2.000 EA

Accessories		
Part Number	Description	Multiplier
37-1302	C FACE KIT	A8

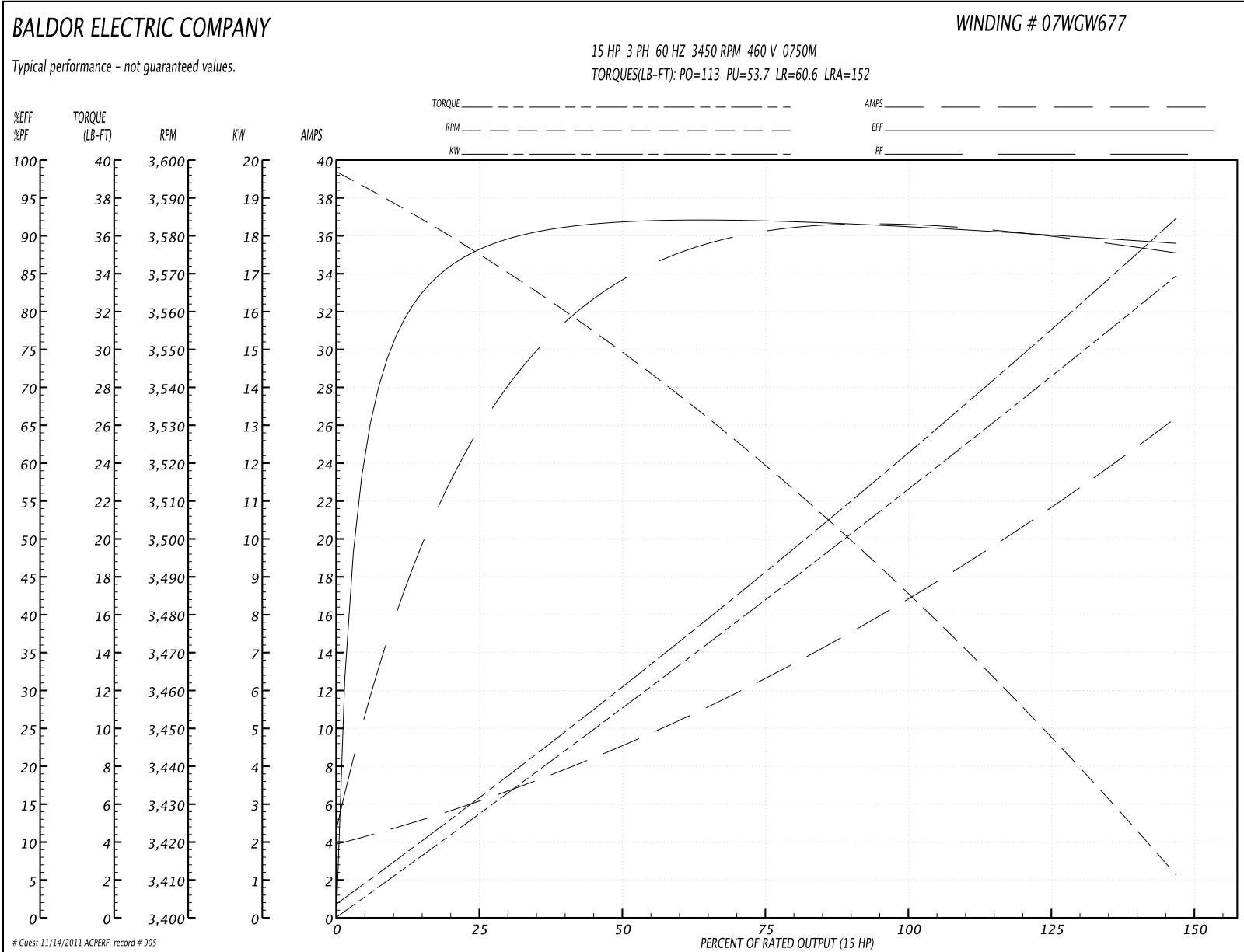
**Performance Data at 460V, 60Hz, 15.0HP (Typical performance - Not guaranteed values)**
**General Characteristics**

<b>Full Load Torque:</b>	22.6 LB-FT	<b>Start Configuration:</b>	DOL
<b>No-Load Current:</b>	4.0 Amps	<b>Break-Down Torque:</b>	113.0 LB-FT
<b>Line-line Res. @ 25°C.:</b>	0.55 Ohms A Ph / 0.0 Ohms B Ph	<b>Pull-Up Torque:</b>	53.7 LB-FT
<b>Temp. Rise @ Rated Load:</b>	63 C	<b>Locked-Rotor Torque:</b>	60.6 LB-FT
<b>Temp. Rise @ S.F. Load:</b>	77 C	<b>Starting Current:</b>	152.0 Amps

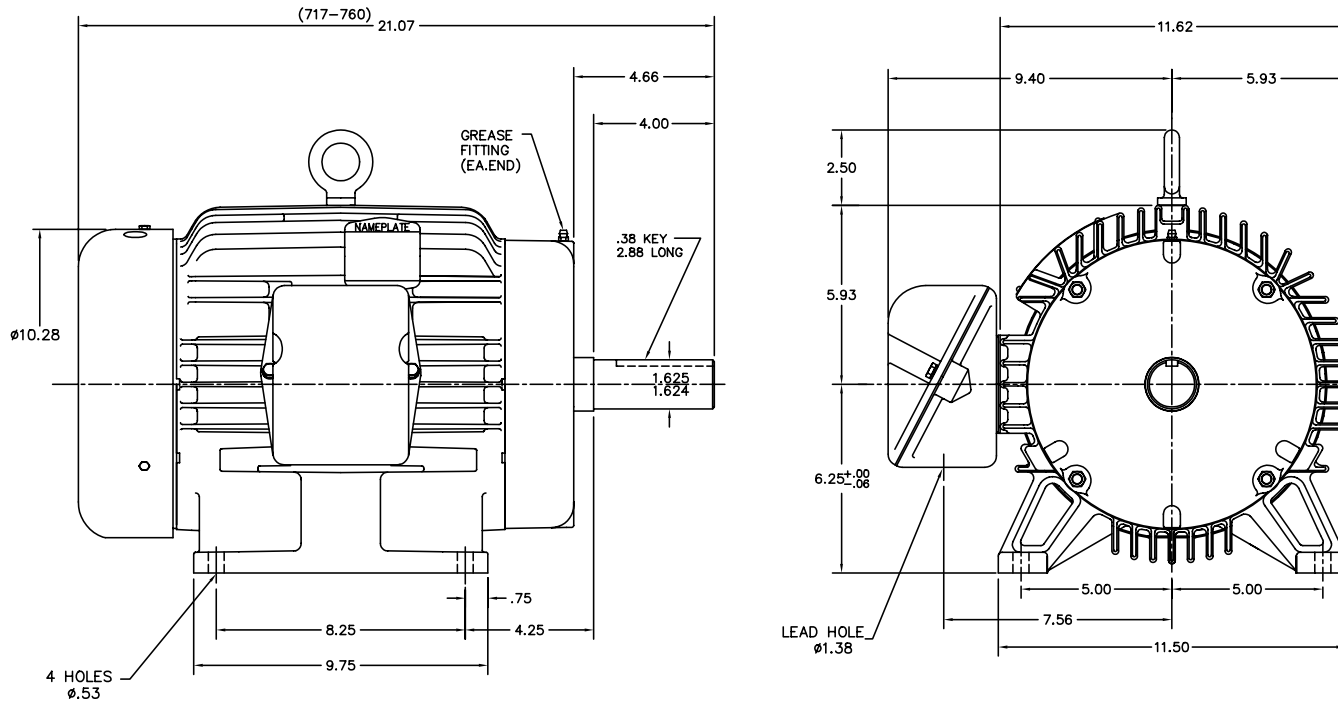
**Load Characteristics**

<b>% of Rated Load</b>	<b>25</b>	<b>50</b>	<b>75</b>	<b>100</b>	<b>125</b>	<b>150</b>	<b>S.F.</b>
<b>Power Factor:</b>	68.0	85.0	90.0	91.0	91.0	90.0	91.0
<b>Efficiency:</b>	88.2	91.6	91.9	91.3	90.3	88.9	90.7
<b>Speed:</b>	3570.0	3550.0	3520.0	3485.0	3450.0	3411.0	3464.0
<b>Line Amperes:</b>	6.0	9.2	12.9	17.0	21.1	26.5	19.5

Performance Graph at 460V, 60Hz, 15.0HP Typical performance - Not guaranteed values



07L YH203



CUSTOMER IS RESPONSIBLE FOR DETERMINING THAT MOTOR PERFORMANCE IS SUITABLE IN THE APPLICATION.

REV. DESC: CHANGED FAN COVER FROM 07FH4004 TO 07FH4007			
REV. LTR: E	BY: YD	REVISED: 07/19/00 9:60	TDR: 0214736
FILE: AAA00001196		REF: -	
MTL: -			

**BALDOR ELECTRIC Co.**

HORZ 254T TEFC 307M

07L YH203

CD0005



LOW VOLTAGE  
(2Y)



LINE

HIGH VOLTAGE  
(1Y)



LINE

NOTES:

1. INTERCHANGE ANY TWO LINE LEADS TO REVERSE ROTATION.
2. OPTIONAL THERMOSTATS ARE PROVIDED WHEN SPECIFIED.
3. ACTUAL NUMBER OF INTERNAL PARALLEL CIRCUITS MAY BE A MULTIPLE OF THOSE SHOWN ABOVE.
4. LEAD COLORS ARE OPTIONAL. LEADS MUST ALWAYS BE NUMBERED AS SHOWN.

REV. DESC: REVISE TO SHOW OPTIONAL COLORS			
REV. LTR: E	BY: JLP	REVISED: 01/19/99 10:15	TDR: 0171435
900000		FILE: AAA00005140	MDL: -
		MTL: -	

**BALDOR ELECTRIC Co.**

3PH, DV, 9 LEADS

CD0005