

# **BALDOR® • RELIANCE**

**Product Information Packet**

**ELECTRIC MOTOR WHOLESAL.COM**

**M2505**

**7.5HP,1770RPM,3PH,60HZ,254U,3731M,OPSB,F**

Part Detail							
Revision:	-	Status:	PRD/A	Change #:		Proprietary:	No
Type:	AC	Prod. Type:	3731M	Elec. Spec:	37WGS907	CD Diagram:	
Enclosure:	OPSB	Mfg Plant:		Mech. Spec:	37F642	Layout:	
Frame:	254U	Mounting:	F1	Poles:	04	Created Date:	08-26-2010
Base:	RG	Rotation:	R	Insulation:	F	Eff. Date:	09-23-2010
Leads:	9#14	Literature:		Elec. Diagram:		Replaced By:	

**Nameplate NP1256L**

CAT.NO.	M2505						
SPEC.	37F642S907H1						
HP	7.5						
VOLTS	208-230/460						
AMP	22-20.2/10.1						
RPM	1770						
FRAME	254U	HZ	60	PH	3		
SER.F.	1.15	CODE	K	DES	A	CLASS	F
NEMA-NOM-EFF	88.5	PF	77				
RATING	40C AMB-CONT						
CC	010A	USABLE AT 208V					
DE	6307	ODE	6206				
ENCL	OPSB	SN					

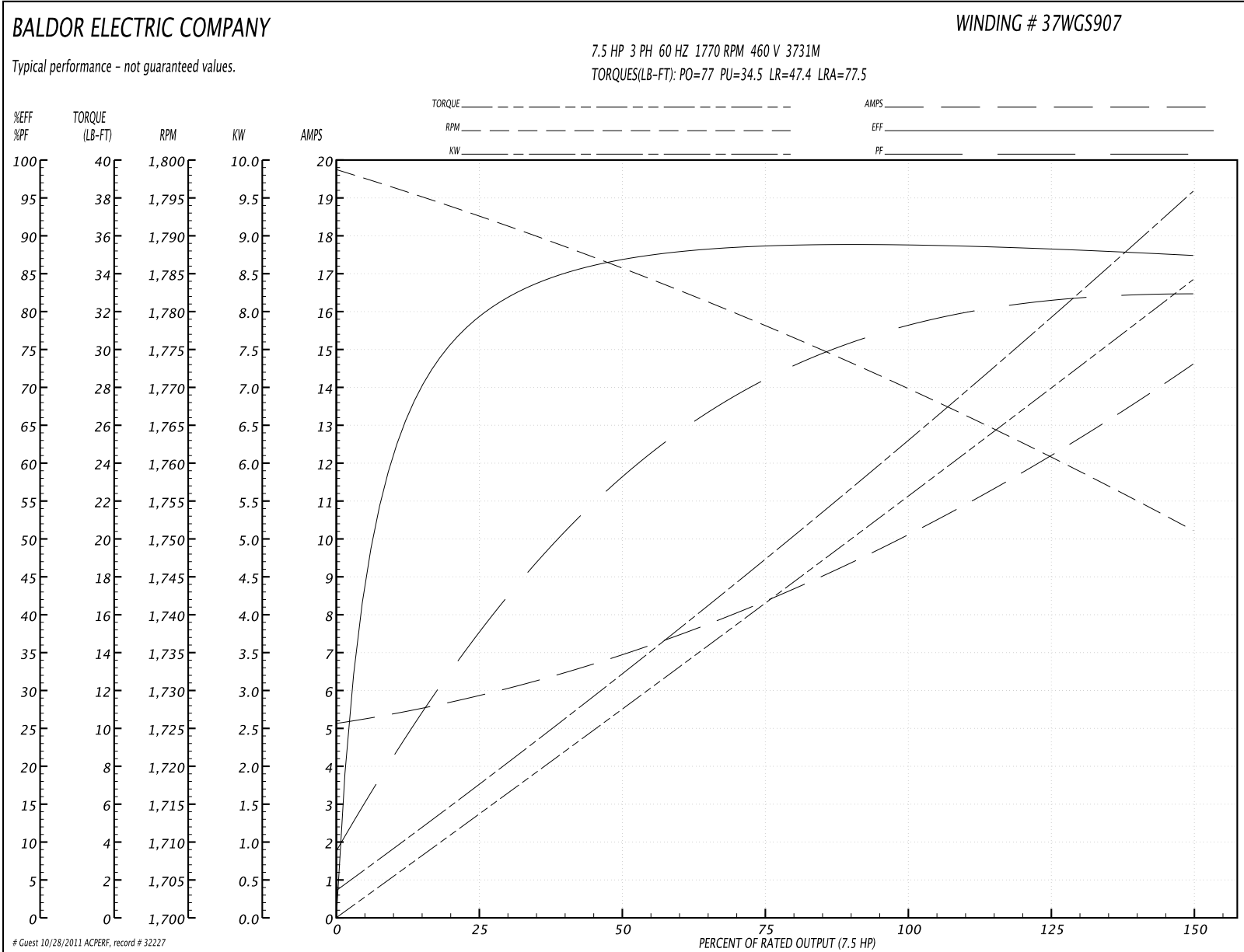
Parts List		
Part Number	Description	Quantity
SA203404	SA 37F642S907H1	1.000 EA
RA190666	RA 37F642S907H1	1.000 EA
S/P101-000-000	EPACT PROCEDURES-FS PLANT-POLYREX EM, NO	1.000 EA
HA6361A01	LIFTING LUG FOR 37, 39 & 40 FRAME (AUTOP	2.000 EA
09CB3002SP	CB W/1.38 LEAD HOLE FOR 37, 39, 307 & 30	1.000 EA
HA6429	KO BOX ADAPTER REXITE	1.000 EA
19XW2520A16	SCREW,1/4-20X1 TAPTITE-II OR ROLOC 91	2.000 EA
11XW1032G06	10-32 X .38, TAPTITE II, HEX WSHR SLTD U	1.000 EA
WD1000B17	KPA-8C BURNDY TERMINAL	1.000 EA
HW3001B01	003SS CUP WASHER, FOR #8 SCREW	1.000 EA
37EP3200A01SP	FR ENDPLATE, 37L&M, OPEN, MACH, W/GREASE	1.000 EA
HW4500A01	1641B(ALEMITE)400 UNIV, GREASE FITT	1.000 EA
HW5100A06	W2420-025 WVY WSHR (WB)	1.000 EA
37EP3201A01	PU ENDPLATE, MACH 213-5T	1.000 EA
HW4500A01	1641B(ALEMITE)400 UNIV, GREASE FITT	1.000 EA
XY3118A12	5/16-18 HEX NUT DIRECTIONAL SERRATION	4.000 EA
09CB3501SP	CONDUIT BOX LID FOR 09CB3001 & 09CB3002	1.000 EA
51XW2520A10	.25-20 X .62, TAPTITE II, HEX WSHR SLTD	2.000 EA
HW2501F24	KEY, 5/16 SQ X 2.750	1.000 EA
HA7000A02	KEY RETAINER RING, 1 1/8 DIA, 1 3/8 DIA	1.000 EA
85XU0407S04	4X1/4 U DRIVE PIN STAINLESS	2.000 EA
LB1115	LABEL,LIFTING DEVICE	1.000 EA
MJ1000A75	GREASE, POLYREX EM EXXON	0.050 LB
MG1000G27	PAINT- S9282E CHARCOAL GREY 55 GALLONS	0.028 GA

Parts List (continued)		
Part Number	Description	Quantity
HA3104A40	THRUBOLT-5/16-18 X 14.125	2.000 EA
HA3104A18	THRUBOLT- 5/16-18 X14.000	2.000 EA
37AD2001B01	BAFFLE PLATE, STAMPED DELTA	2.000 EA
LB1125C04	STD-E (STOCK CTN LABEL STD-E WITH FLAG)	1.000 EA
LC0005E01	CONN.DIA./WARNING LABEL (LC0005/LB1119)	1.000 EA
NP1256L	ALUM, UL CSA CC, W/O THERMAL, LASER	1.000 EA
07PA1007	PKG GRP., BALDOR	1.000 EA

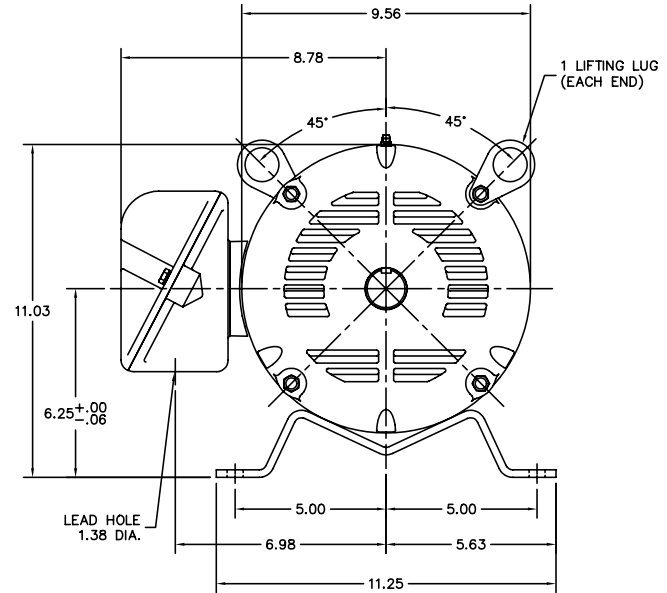
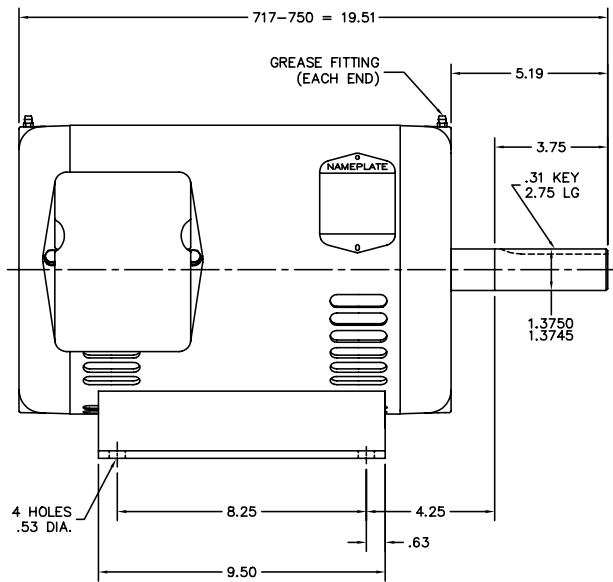
Accessories		
Part Number	Description	Multiplier
37-1404	C FACE KIT	A8

Performance Data at 460V, 60Hz, 7.5HP (Typical performance - Not guaranteed values)							
General Characteristics							
Full Load Torque:	22.2 LB-FT			Start Configuration:	DOL		
No-Load Current:	5.25 Amps			Break-Down Torque:	77.0 LB-FT		
Line-line Res. @ 25°C.:	1.37 Ohms A Ph / 0.0 Ohms B Ph			Pull-Up Torque:	34.5 LB-FT		
Temp. Rise @ Rated Load:				Locked-Rotor Torque:	47.4 LB-FT		
Temp. Rise @ S.F. Load:				Starting Current:	77.5 Amps		
Load Characteristics							
% of Rated Load	25	50	75	100	125	150	S.F.
Power Factor:	39.0	59.0	71.0	77.0	81.0	83.0	79.0
Efficiency:	78.8	86.7	88.6	89.2	88.1	87.4	88.5
Speed:	1792.0	1786.0	1778.0	1770.0	1761.0	1751.0	1765.0
Line Amperes:	5.75	6.83	8.39	10.2	12.3	14.5	11.5

Performance Graph at 460V, 60Hz, 7.5HP Typical performance - Not guaranteed values



37LYF642



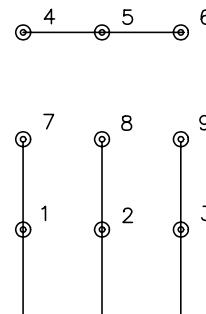
CUST. NAME	CUST. P.O.	CERTIFIED BY	MODEL	INSUL	AMB
H.P.	MTG	TYPE	R.P.M.	VOLTS	ENCL PHASE FREQ FRAME
REV. DESC: CHG'D CONDUIT BOX AND LID (SEE EC09)			BALDOR ELECTRIC Co.		
REV. LTR: A	BY: JED	REVISED: 02/26/99 8:40	TDR: 0171878	STD HORZ 254U OPEN 37M (SLOTTED BAND MTR)	
FILE: AAA00082902	MDL: -				
MTL: -					

37LYF642

CD0005

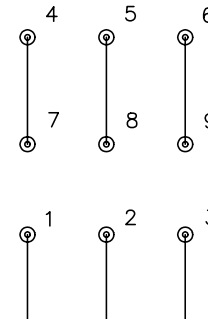


LOW VOLTAGE  
(2Y)



LINE

HIGH VOLTAGE  
(1Y)



LINE

NOTES:

1. INTERCHANGE ANY TWO LINE LEADS TO REVERSE ROTATION.
2. OPTIONAL THERMOSTATS ARE PROVIDED WHEN SPECIFIED.
3. ACTUAL NUMBER OF INTERNAL PARALLEL CIRCUITS MAY BE A MULTIPLE OF THOSE SHOWN ABOVE.
4. LEAD COLORS ARE OPTIONAL. LEADS MUST ALWAYS BE NUMBERED AS SHOWN.

REV. DESC: REVISE TO SHOW OPTIONAL COLORS			
REV. LTR: E	BY: JLP	REVISED: 01/19/99 10:15	TDR: 0171435
900000		FILE: AAA00005140	MDL: -
		MTL: -	

**BALDOR ELECTRIC Co.**

3PH, DV, 9 LEADS

CD0005