

BALDOR® • **RELIANCE**

Product Information Packet

ELECTRIC MOTOR WHOLESAL.COM

M2508T

7.5HP,880RPM,3PH,60HZ,256T,3946M,OPSB,F1

Part Detail							
Revision:	G	Status:	PRD/A	Change #:		Proprietary:	No
Type:	AC	Prod. Type:	3946M	Elec. Spec:	39WGX582	CD Diagram:	
Enclosure:	OPSB	Mfg Plant:		Mech. Spec:	39D101	Layout:	
Frame:	256T	Mounting:	F1	Poles:	08	Created Date:	12-26-2006
Base:	RG	Rotation:	R	Insulation:	B	Eff. Date:	02-24-2010
Leads:	9#12	Literature:		Elec. Diagram:		Replaced By:	

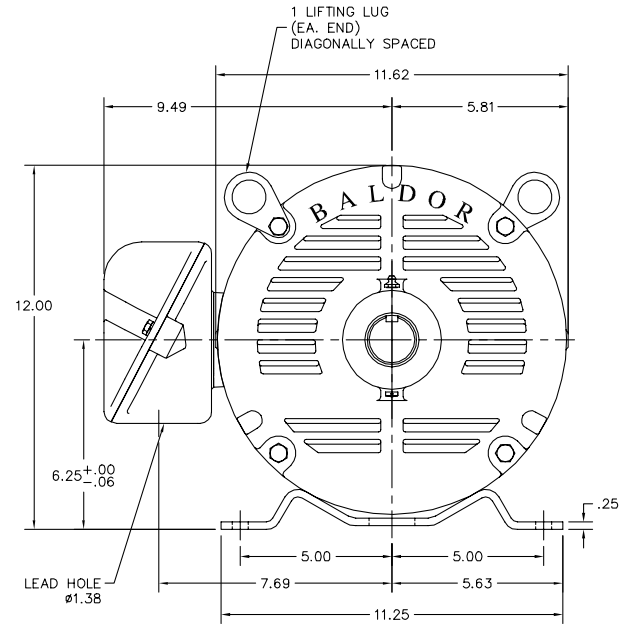
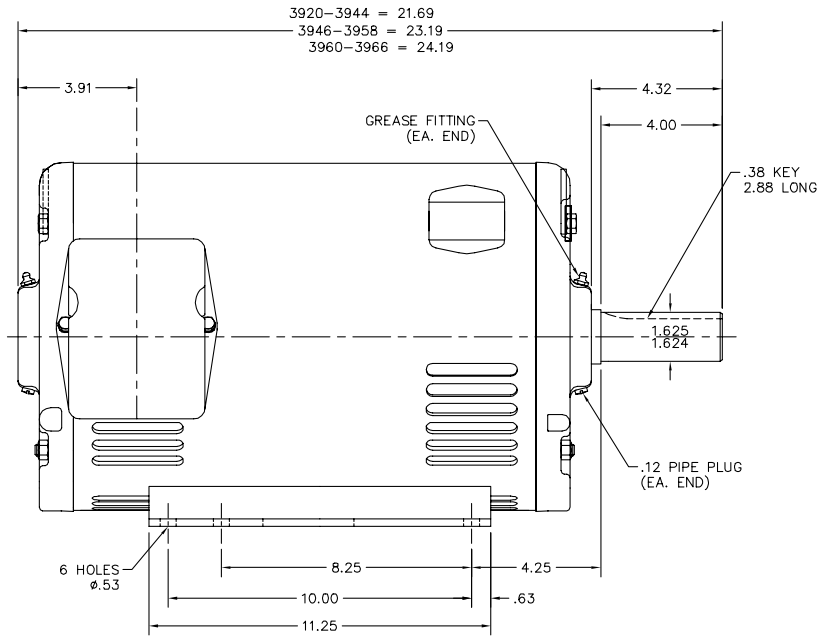
Nameplate NP1256L									
CAT.NO.	M2508T								
SPEC.	39D101X582								
HP	7.5								
VOLTS	208-230/460								
AMP	26.4-25.2/12.7								
RPM	880								
FRAME	256T	HZ			60	PH	3		
SER.F.	1.15	CODE			H	DES	B	CLASS	B
NEMA-NOM-EFF	88.5	PF			66				
RATING	40C AMB-CONT								
CC	010A	USABLE AT 208V							
DE	6309	ODE			6208				
ENCL	OPSB	SN							

Parts List		
Part Number	Description	Quantity
SA152857	SA 39D101X582	1.000 EA
RA141617	RA 39D101X582	1.000 EA
HA6361A01	LIFTING LUG FOR 37, 39 & 40 FRAME (AUTOP	2.000 EA
HA6016	ADAPTER, CAST CONDUIT BOX	1.000 EA
09CB3002SP	CB W/1.38 LEAD HOLE FOR 37, 39, 307 & 30	1.000 EA
51XW2520A12	.25-20 X .75, TAPTITE II, HEX WSHR SLTD	2.000 EA
HW1001A25	LOCKWASHER 1/4, ZINC PLT .493 OD, .255 I	2.000 EA
WD1000B17	KPA-8C BURNDY TERMINAL	1.000 EA
11XW1032G06	10-32 X .38, TAPTITE II, HEX WSHR SLTD U	1.000 EA
39EP3200A01SP	FR/PU ENDPLATE, MACH	1.000 EA
HA4051A00	PLASTIC CAP FOR GREASE FITTING	1.000 EA
HW5100A08	W3118-035 WVY WSHR (WB)	1.000 EA
39EP3201A13	PU ENDPLATE, MACH	1.000 EA
HA4051A00	PLASTIC CAP FOR GREASE FITTING	1.000 EA
XY3816A12	3/8-16 FINISHED NUT	8.000 EA
09CB3501SP	CONDUIT BOX LID FOR 09CB3001 & 09CB3002	1.000 EA
51XW2520A12	.25-20 X .75, TAPTITE II, HEX WSHR SLTD	2.000 EA
HW2501G25	KEY, 3/8 SQ X 2.875	1.000 EA
LB1115	LABEL,LIFTING DEVICE	1.000 EA
HW4500A03	GREASE FITTING, .125 NPT 1610(ALEMITE) 8	1.000 EA
HW4500A20	1/8NPT SL PIPE PLUG	1.000 EA
MJ1000A75	GREASE, POLYREX EM EXXON	0.030 LB
HW4500A03	GREASE FITTING, .125 NPT 1610(ALEMITE) 8	1.000 EA
HW4500A20	1/8NPT SL PIPE PLUG	1.000 EA

Parts List (continued)		
Part Number	Description	Quantity
MG1000G27	PAINT- S9282E CHARCOAL GREY 55 GALLONS	0.050 GA
85XU0407A04	#4-7 X 1/4 DRIVE PIN	2.000 EA
LB5040	INSTRUCTION TAG, AC & DC	1.000 EA
HA3154A03	STUD, 3/8-16 X 17.75	4.000 EA
39AD2002B01	BAFFLE PLATE 39 OPEN, SLOTTED BAND MTRS	2.000 EA
LB1125C01	STD (STOCK) CARTON LABEL BALDOR WITH FLA	4.000 EA
LC0005E01	CONN.DIA./WARNING LABEL (LC0005/LB1119)	1.000 EA
NP1256L	ALUM, UL CSA CC, W/O THERMAL, LASER	1.000 EA
39PA1000	PACKAGING GROUP 39 PRINT	1.000 EA

Accessories		
Part Number	Description	Multiplier
39-3400	C FACE KIT	A8

39LYD101



CUSTOMER IS RESPONSIBLE FOR DETERMINING THAT BALDOR'S PRODUCT WILL PERFORM SUITABLY IN THE INTENDED APPLICATION.

REV. DESC: REVISE LAYOUT TO SHOW NEW LOC. OF NP		
REV. LTR: N	VERSION: 06	TDR: 000000507956
FILE: \AAA\00006\034	REVISED: 03:12:23 08/05/2009	BY: ENGREHO
MTL: -		

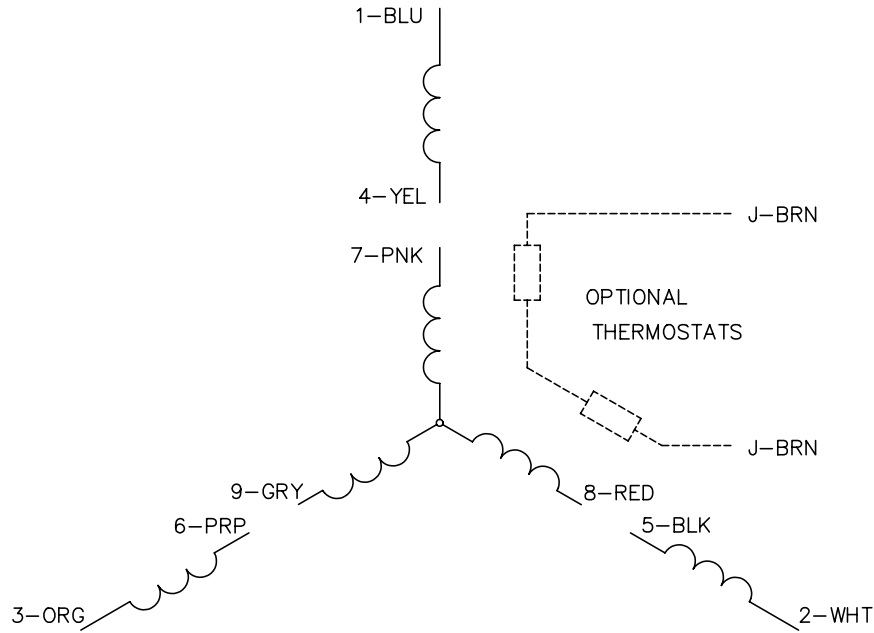
BALDOR • DODGE • RELIANCE

STD HORZ OPSB 254-6T

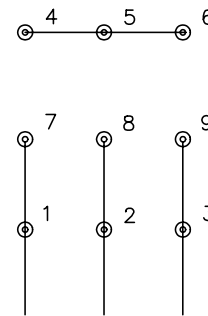
SH 1 of 1

39LYD101

CD0005

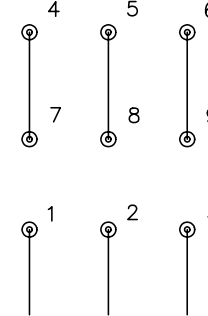


LOW VOLTAGE
(2Y)



LINE

HIGH VOLTAGE
(1Y)



LINE

NOTES:

1. INTERCHANGE ANY TWO LINE LEADS TO REVERSE ROTATION.
2. OPTIONAL THERMOSTATS ARE PROVIDED WHEN SPECIFIED.
3. ACTUAL NUMBER OF INTERNAL PARALLEL CIRCUITS MAY BE A MULTIPLE OF THOSE SHOWN ABOVE.
4. LEAD COLORS ARE OPTIONAL. LEADS MUST ALWAYS BE NUMBERED AS SHOWN.

REV. DESC: REVISE TO SHOW OPTIONAL COLORS			
REV. LTR: E	BY: JLP	REVISED: 01/19/99 10:15	TDR: 0171435
900000		FILE: AAA00005140	MDL: -
		MTL: -	

BALDOR ELECTRIC Co.

3PH, DV, 9 LEADS

CD0005