

BALDOR® • ***RELIANCE***

Product Information Packet

M2515T

20HP, 1760RPM, 3PH, 60HZ, 256T, 3766M, OPSB, F1

Part Detail							
Revision:	J	Status:	INA/A	Change #:		Proprietary:	No
Type:	AC	Prod. Type:	3766M	Elec. Spec:	37WGT868	CD Diagram:	CD0005
Enclosure:	OPSB	Mfg Plant:		Mech. Spec:	37L628	Layout:	37LYL628
Frame:	256T	Mounting:	F1	Poles:	04	Created Date:	05-24-2006
Base:	RG	Rotation:	R	Insulation:	B	Eff. Date:	01-13-2010
Leads:	9#12					Replaced By:	
Literature:		Elec. Diagram:					

Nameplate NP1256L							
CAT.NO.	M2515T						
SPEC.	37L628T868H1						
HP	20						
VOLTS	230/460						
AMP	48/24						
RPM	1760						
FRAME	256T	HZ	60	PH	3		
SER.F.	1.15	CODE	H	DES	A	CLASS	B
NEMA-NOM-EFF	91.7	PF	84				
RATING	40C AMB-CONT						
CC	010A	USABLE AT 208V	50				
DE	6309	ODE	6206				
ENCL	OPSB	SN					

Parts List		
Part Number	Description	Quantity
SA143070	SA 37L628T868H1	1.000 EA
RA132325	RA 37L628T868H1	1.000 EA
S/P101-000-000	EPACT PROCEDURES-FS PLANT-POLYREX EM, NO	1.000 EA
HA6361A01	LIFTING LUG FOR 37, 39 & 40 FRAME (AUTOP	2.000 EA
HW3021G12	ROLLED SPRING PIN .188 X .750	2.000 EA
09CB3002SP	CB W/1.38 LEAD HOLE FOR 37, 39, 307 & 30	1.000 EA
HA6429	KO BOX ADAPTER REXITE	1.000 EA
19XW2520A16	SCREW,1/4-20X1 TAPTITE-II OR ROLOC 91	2.000 EA
11XW1032G06	10-32 X .38, TAPTITE II, HEX WSHR SLTD U	1.000 EA
HW3001B01	003SS CUP WASHER, FOR #8 SCREW	1.000 EA
WD1000B17	T&B CX35TN TERMINAL	1.000 EA
37EP3200A05	FR ENDPLATE MACH	1.000 EA
HW4500A19	1/4-28X1/4 SLOTTED PLUG F/S	1.000 EA
HW4500A01	1641B(ALEMITE)400 UNIV, GREASE FITT	1.000 EA
HA4051A00	PLASTIC CAP FOR GREASE FITTING	1.000 EA
HW5100A06	W2420-025 WVY WSHR (WB)	1.000 EA
37EP3202A04	PUEP OPEN 309 BRG (2) GREASERS	1.000 EA
HW4500A19	1/4-28X1/4 SLOTTED PLUG F/S	1.000 EA
HW4500A01	1641B(ALEMITE)400 UNIV, GREASE FITT	1.000 EA
HA4051A00	PLASTIC CAP FOR GREASE FITTING	1.000 EA
XY3118A12	5/16-18 HEX NUT DIRECTIONAL SERRATION	4.000 EA
09CB3501SP	CONDUIT BOX LID FOR 09CB3001 & 09CB3002	1.000 EA
51XW2520A10	.25-20 X .62, TAPTITE II, HEX WSHR SLTD	2.000 EA
HW2501G25	KEY, 3/8 SQ X 2.875	1.000 EA

Parts List (continued)		
Part Number	Description	Quantity
85XU0407S04	4X1/4 U DRIVE PIN STAINLESS	2.000 EA
LB1115N	LABEL,LIFTING DEVICE (ON ROLLS)	1.000 EA
MJ1000A75	GREASE, POLYREX EM EXXON (USe 4824-15A)	0.050 LB
MG1000G27	MED CHARCOAL METALLIC GREY	0.028 GA
HA3104A52	THRUBOLT, .31-18 X 17.000	4.000 EA
37AD2001A01	BAFFLE PLATE, STAMPED	2.000 EA
LB1125C04	STD-E (STOCK CTN LABEL STD-E WITH FLAG)	1.000 EA
LC0005E01	CONN.DIA./WARNING LABEL (LC0005/LB1119N)	1.000 EA
NP1256L	ALUM UL CSA CC	1.000 EA
37PA1052	PALLET PACK GRP, 150 LB MTR 2 X 4 RUNNER	1.000 EA
MN416A01	TAG-INSTAL-MAINT no wire (1200/bx) 10/13	1.000 EA

Accessories		
Part Number	Description	Multiplier
37-1402	C FACE KIT	A8

AC Induction Motor Performance Data

Record # 22014 - Typical performance - not guaranteed values

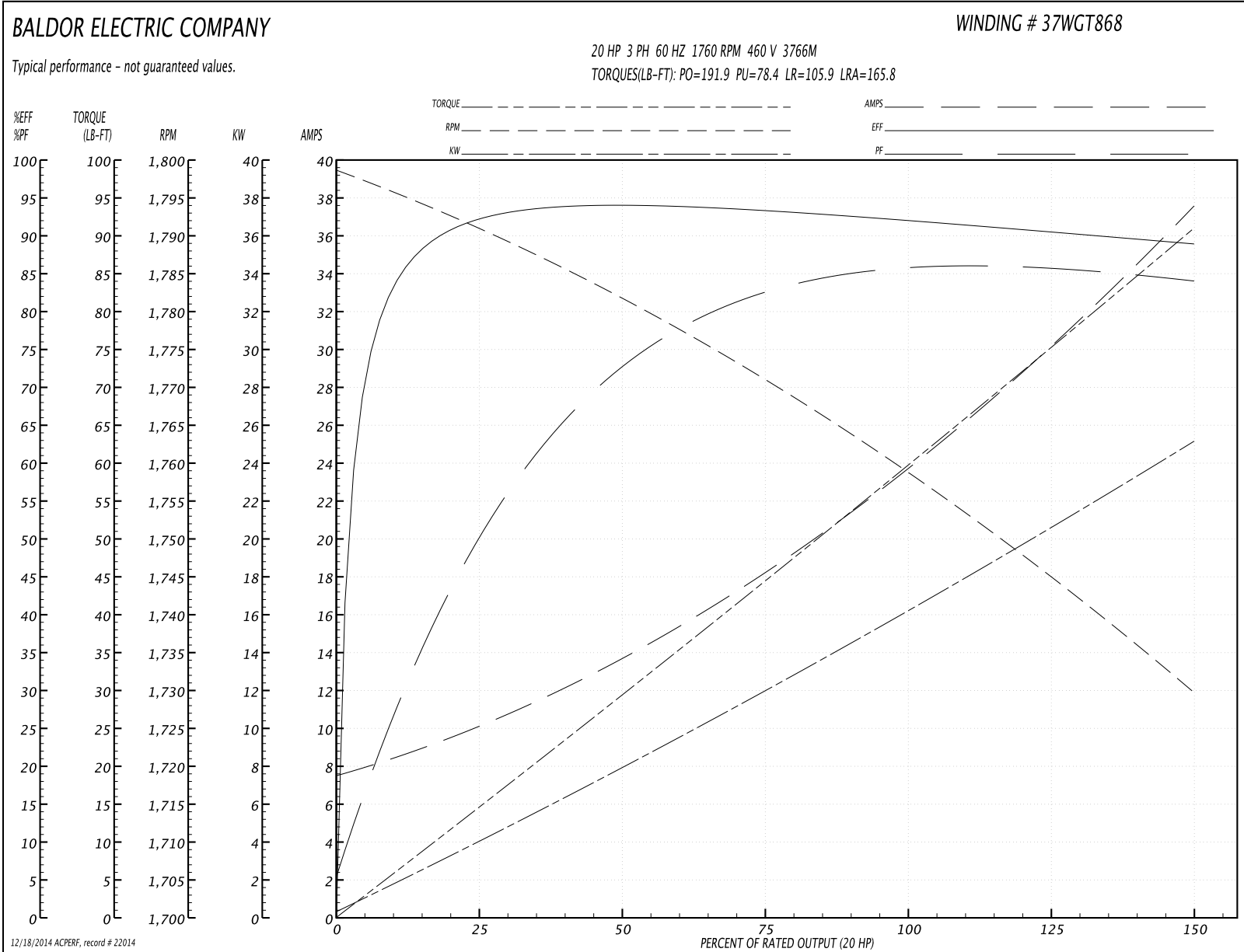
Winding: 37WGT868-R001	Type: 3766M	Enclosure: OPSB
-------------------------------	--------------------	------------------------

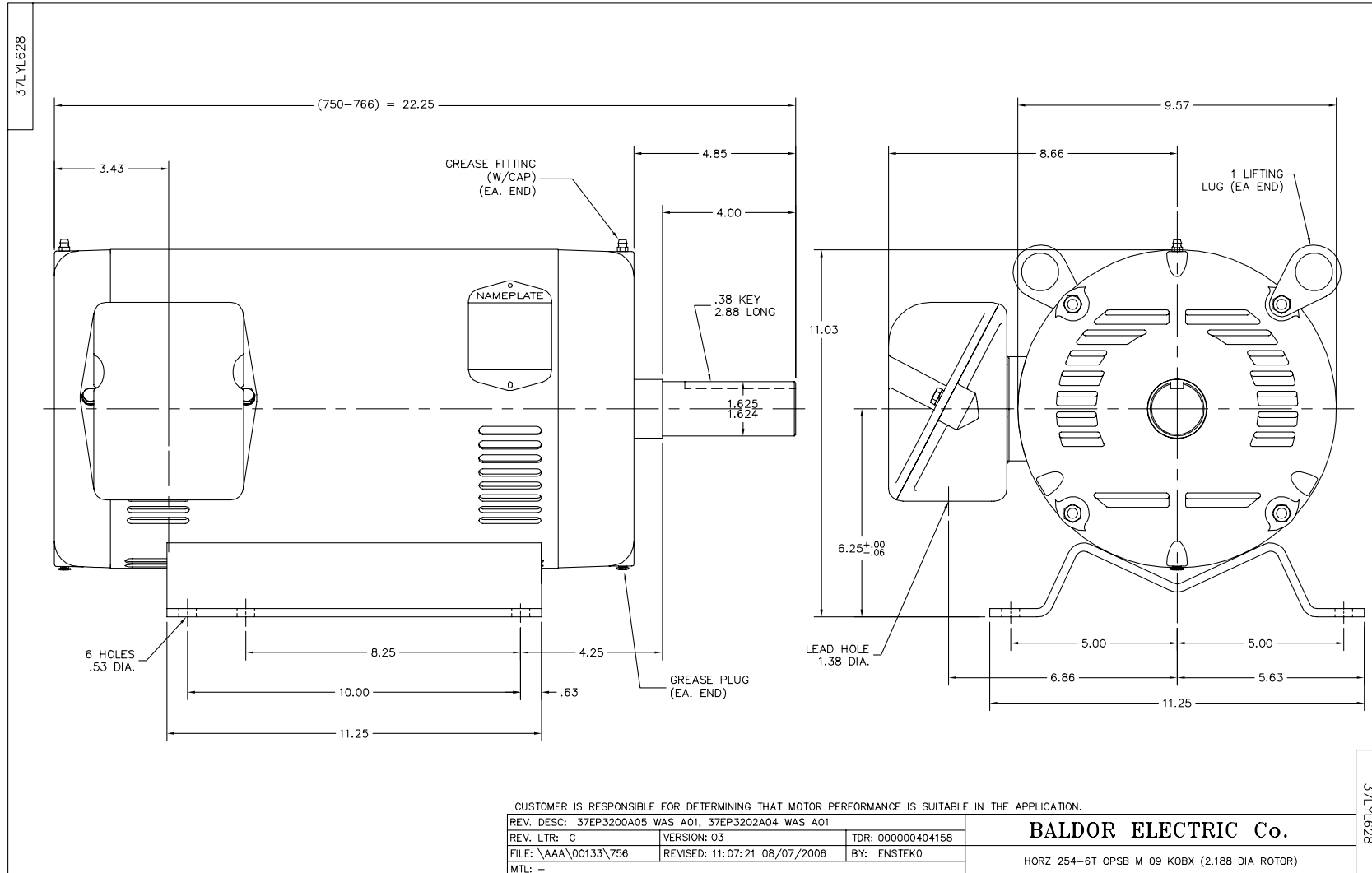
Nameplate Data				460 V, 60 Hz: High Voltage Connection	
Rated Output (HP)	20			Full Load Torque	59.8 LB-FT
Volts	230/460			Start Configuration	direct on line
Full Load Amps	48/24			Breakdown Torque	191.9 LB-FT
R.P.M.	1760			Pull-up Torque	78.4 LB-FT
Hz	60	Phase	3	Locked-rotor Torque	105.9 LB-FT
NEMA Design Code	A	KVA Code	H	Starting Current	165.8 A
Service Factor (S.F.)	1.15			No-load Current	7.89 A
NEMA Nom. Eff.	91.7	Power Factor	84	Line-line Res. @ 25°C	0.5 Ω
Rating - Duty	40C AMB-CONT			Temp. Rise @ Rated Load	70°C
S.F. Amps				Temp. Rise @ S.F. Load	90°C
				Rotor inertia	1.62 LF ²

Load Characteristics 460 V, 60 Hz, 20 HP

% of Rated Load	25	50	75	100	125	150	S.F.
Power Factor	53	74	81	84	85	85	85
Efficiency	91.5	93.5	93.2	92.1	90.7	88.8	91.3
Speed	1791	1781	1771	1759	1746	1729	1751
Line amperes	9.58	13.4	18.4	24.1	30.2	37.4	27.8

Performance Graph at 460V, 60Hz, 20.0HP Typical performance - Not guaranteed values





CD0005



LOW VOLTAGE
(2Y)



LINE

HIGH VOLTAGE
(1Y)



LINE

NOTES:

1. INTERCHANGE ANY TWO LINE LEADS TO REVERSE ROTATION.
2. OPTIONAL THERMOSTATS ARE PROVIDED WHEN SPECIFIED.
3. ACTUAL NUMBER OF INTERNAL PARALLEL CIRCUITS MAY BE A MULTIPLE OF THOSE SHOWN ABOVE.
4. LEAD COLORS ARE OPTIONAL. LEADS MUST ALWAYS BE NUMBERED AS SHOWN.

REV. DESC: REVISE TO SHOW OPTIONAL COLORS

REV. LTR: E BY: JLP

REVISED: 01/19/99 10:15

TDR: 0171435

9000D

FILE: AAA00005140

MDL: -

MTL: -

BALDOR ELECTRIC Co.

3PH, DV, 9 LEADS

CD0005