

BALDOR® • RELIANCE

Product Information Packet

ELECTRIC MOTOR WHOLESAL.COM

M2516T-8

25HP,3525RPM,3PH,60HZ,256T,3932M,OPSB,F1

Part Detail							
Revision:	-	Status:	PRD/A	Change #:		Proprietary:	No
Type:	AC	Prod. Type:	3932M	Elec. Spec:	39WGW666	CD Diagram:	
Enclosure:	OPSB	Mfg Plant:		Mech. Spec:	39D101	Layout:	
Frame:	256T	Mounting:	F1	Poles:	02	Created Date:	05-10-2010
Base:	RG	Rotation:	R	Insulation:	B	Eff. Date:	05-13-2010
Leads:	6#10	Literature:		Elec. Diagram:		Replaced By:	

Nameplate NP1256L									
CAT.NO.	M2516T-8								
SPEC.	39D101W666H1								
HP	25								
VOLTS	200								
AMP	68								
RPM	3525								
FRAME	256T	HZ			60	PH	3		
SER.F.	1.15	CODE			G	DES	B	CLASS	B
NEMA-NOM-EFF	91	PF			87				
RATING	40C AMB-CONT								
CC	010A	USABLE AT 208V			66.8				
DE	6309	ODE			6208				
ENCL	OPSB	SN							

Parts List		
Part Number	Description	Quantity
SA194630	SA 39D101W666H1	1.000 EA
RA182216	RA 39D101W666H1	1.000 EA
S/P101-000-001	EPACT PROC-ZK 250FR, SMALL BOX, POLYREX EM	1.000 EA
HA6361A01	LIFTING LUG FOR 37, 39 & 40 FRAME (AUTOP	2.000 EA
HA6016	ADAPTER, CAST CONDUIT BOX	1.000 EA
09CB3002SP	CB W/1.38 LEAD HOLE FOR 37, 39, 307 & 30	1.000 EA
51XW2520A12	.25-20 X .75, TAPTITE II, HEX WSHR SLTD	2.000 EA
HW1001A25	LOCKWASHER 1/4, ZINC PLT .493 OD, .255 I	2.000 EA
WD1000B17	KPA-8C BURNDY TERMINAL	1.000 EA
11XW1032G06	10-32 X .38, TAPTITE II, HEX WSHR SLTD U	1.000 EA
39EP3200A01SP	FR/PU ENDPLATE, MACH	1.000 EA
HA4051A00	PLASTIC CAP FOR GREASE FITTING	1.000 EA
HW5100A08	W3118-035 WVY WSHR (WB)	1.000 EA
39EP3201A13	PU ENDPLATE, MACH	1.000 EA
HA4051A00	PLASTIC CAP FOR GREASE FITTING	1.000 EA
XY3816A12	3/8-16 FINISHED NUT	8.000 EA
09CB3501SP	CONDUIT BOX LID FOR 09CB3001 & 09CB3002	1.000 EA
51XW2520A12	.25-20 X .75, TAPTITE II, HEX WSHR SLTD	2.000 EA
HW2501G25	KEY, 3/8 SQ X 2.875	1.000 EA
LB1115	LABEL, LIFTING DEVICE	1.000 EA
HW4500A03	GREASE FITTING, .125 NPT 1610(ALEMITE) 8	1.000 EA
HW4500A20	1/8NPT SL PIPE PLUG	1.000 EA
MJ1000A75	GREASE, POLYREX EM EXXON	0.030 LB
HW4500A03	GREASE FITTING, .125 NPT 1610(ALEMITE) 8	1.000 EA

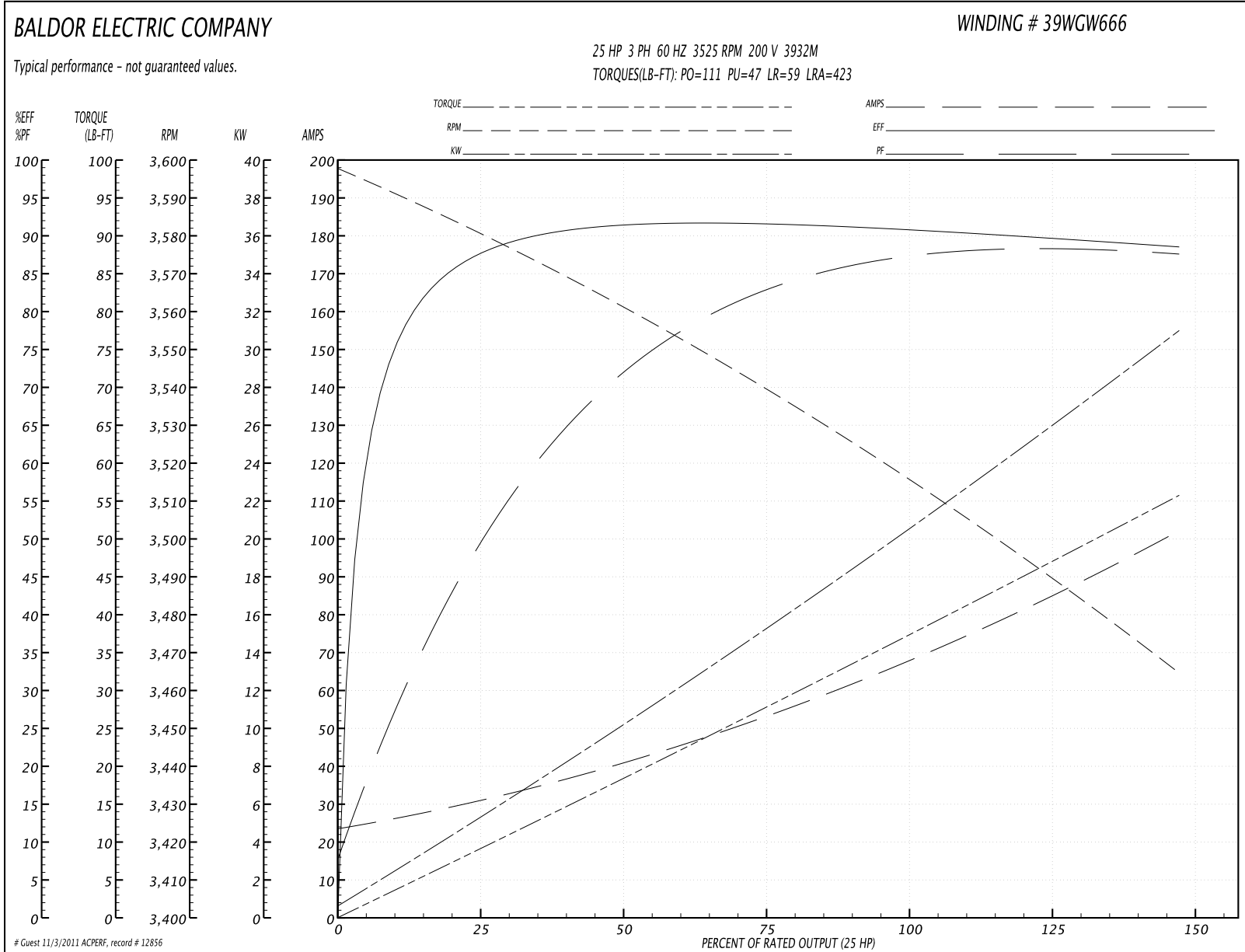
Parts List (continued)		
Part Number	Description	Quantity
HW4500A20	1/8NPT SL PIPE PLUG	1.000 EA
MG1000G27	PAINT- S9282E CHARCOAL GREY	0.050 GA
85XU0407A04	#4-7 X 1/4 DRIVE PIN	2.000 EA
LB5040	INSTRUCTION TAG, AC & DC	1.000 EA
39AD2002B01	BAFFLE PLATE 39 OPEN, SLOTTED BAND MTRS	1.000 EA
39AD2002B01	BAFFLE PLATE 39 OPEN, SLOTTED BAND MTRS	1.000 EA
HA3154A09	TB STUD 3/8-16 X 16.25	4.000 EA
LB1119	WARNING LABEL	1.000 EA
LB1125C04	STD-E (STOCK CTN LABEL STD-E WITH FLAG)	4.000 EA
LC0695	CONNECTION LABEL	1.000 EA
NP1256L	ALUM, UL CSA CC, W/O THERMAL, LASER	1.000 EA
39PA1000	PACKAGING GROUP 39 PRINT	1.000 EA
LB5040	INSTRUCTION TAG, AC & DC	1.000 EA

Accessories		
Part Number	Description	Multiplier
39-3400	C FACE KIT	A8

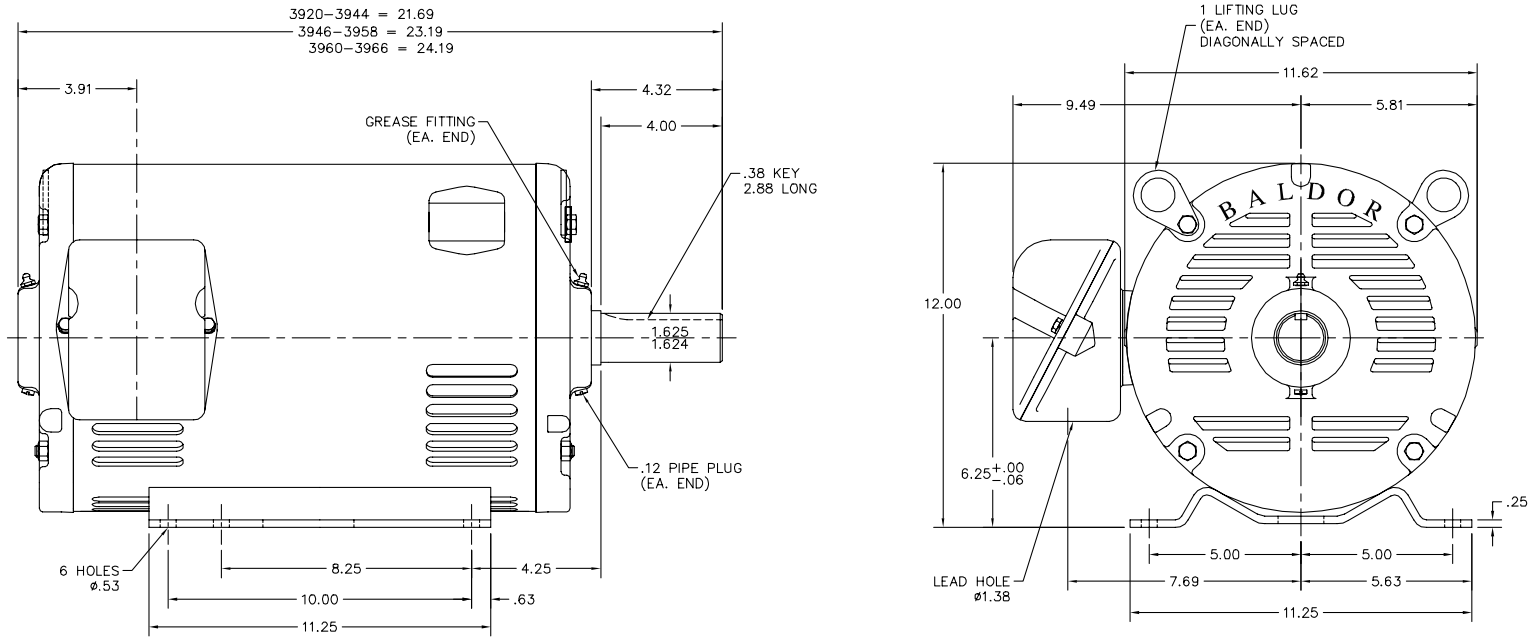
Performance Data at 200V, 60Hz, 25.0HP (Typical performance - Not guaranteed values)

General Characteristics							
Full Load Torque:	37.2 LB-FT			Start Configuration:	DOL		
No-Load Current:	24.4 Amps			Break-Down Torque:	111.0 LB-FT		
Line-line Res. @ 25°C.:	0.0863 Ohms A Ph / 0.0 Ohms B Ph			Pull-Up Torque:	47.0 LB-FT		
Temp. Rise @ Rated Load:	44 C			Locked-Rotor Torque:	59.0 LB-FT		
Temp. Rise @ S.F. Load:	52 C			Starting Current:	423.0 Amps		
Load Characteristics							
% of Rated Load	25	50	75	100	125	150	S.F.
Power Factor:	52.0	74.0	82.0	86.0	88.0	88.0	87.0
Efficiency:	87.3	91.1	91.5	91.0	89.9	88.4	90.3
Speed:	3579.0	3560.0	3539.0	3517.0	3493.0	3463.0	3503.0
Line Amperes:	29.9	40.5	53.7	68.4	84.4	101.6	78.0

Performance Graph at 200V, 60Hz, 25.0HP Typical performance - Not guaranteed values



39LYD101



39LYD101

CUSTOMER IS RESPONSIBLE FOR DETERMINING THAT BALDOR'S PRODUCT WILL PERFORM SUITABLY IN THE INTENDED APPLICATION.

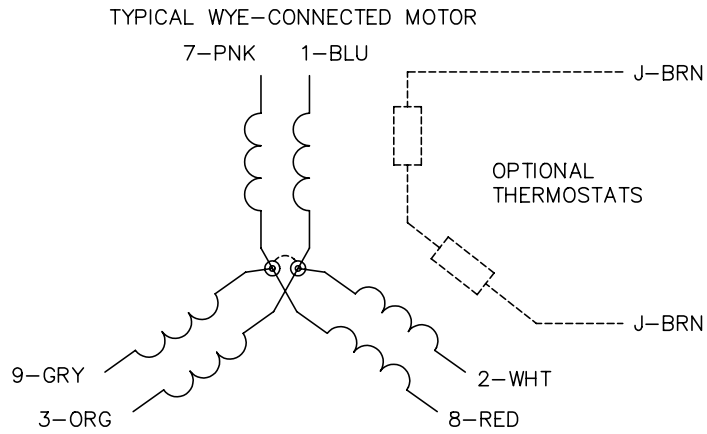
REV. DESC: REVISE LAYOUT TO SHOW NEW LOC. OF NP		
REV. LTR: N	VERSION: 06	TDR: 000000507956
FILE: \AAA\00006\034	REVISED: 03:12:23 08/05/2009	BY: ENGREHO
MTL: -		

BALDOR • DODGE • RELIANCE

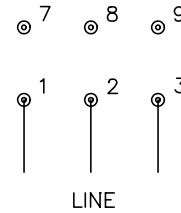
STD HORZ OPSB 254-6T

SH 1 of 1

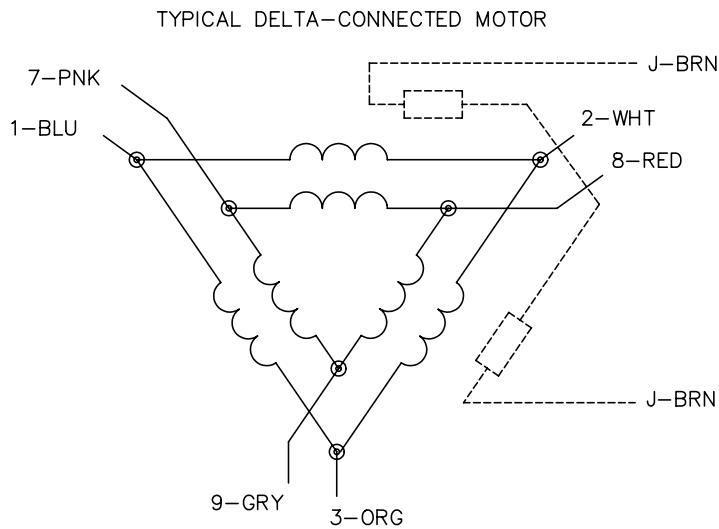
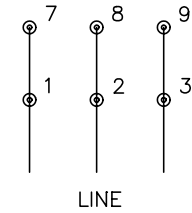
CD0695



START CONNECTION



RUN CONNECTION



NOTES:

1. MOTOR MAY BE WYE CONNECTED OR DELTA CONNECTED.
2. INTERCHANGE ANY TWO LINE LEADS TO REVERSE ROTATION.
3. OPTIONAL THERMOSTATS ARE PROVIDED WHEN SPECIFIED.
4. ACTUAL NUMBER OF INTERNAL PARALLEL CIRCUITS MAY VARY.
5. LEAD COLORS ARE OPTIONAL. LEADS MUST ALWAYS BE NUMBERED AS SHOWN.

REV. DESC: REVISE TO SHOW OPTIONAL COLORS			
REV. LTR: C	BY: JLP	REVISED: 01/21/99 3:19	TDR: 0171435
9690D0		FILE: AAA00005151	MDL: -
		MTL: -	

BALDOR ELECTRIC Co.

3PH, SV, 6 LEADS, PART WINDING START

CD0695