



BALDOR® • *RELIANCE*

Product Information Packet

M2543T-12

50HP/1765/3PH/326T/4060M was12s038x178h2

Product Detail

Revision:	H	Status:	PRD/A	Change #:		Proprietary:	No
Type:	AC	Prod Type:	4060M	Elec. Spec:	40WGW483	CD Diagram:	CD0104
Enclosure	OPSB	Mfg Plant:		Mech Spec:	40H05	Layout:	40LYH005
Frame:	326T	Mounting:	F1	Poles:	04	Created Date:	
Base:	RG	Rotation:	R	Insulation:	B	Eff. Date:	03-03-2008
Leads:	12#10	Literature:		Elec. Diagram:		Replaced By:	

Nameplate NP1256L

CAT.NO.	M2543T-12						
SPEC.	40H005W483H1						
HP	50						
VOLTS	230/460						
AMP	124/62						
RPM	1765						
FRAME	326T	HZ	60	PH	3		
SER.F.	1.15	CODE	G	DES	B	CLASS	B
NEMA-NOM-EFF	93	PF	81				
RATING	40C AMB-CONT						
CC	010A	USABLE AT 208V	133				
DE	6312	ODE	6309				
ENCL	OPSB	SN					

Parts List			
Product ID	Description	Quantity	List Price
SA055476	SA 40H005W483H1	1.000	1,976.00
RA050078	RA 40H005W483H1	1.000	1,647.00
S/P101-000-003	EPACT PROC-ZK 280FR & UP,LARGE KOBX,POLY	1.000	
HA6361A01	LIFTING LUG FOR 37, 39 & 40 FRAME (AUTOP	2.000	2.00
HA6017A01	CAST ADAPTOR	1.000	24.00
19XW3118A12	.31-18 HEX WASHER HEAD TAPTITE II	2.000	2.00
HW1001A31	LOCKWASHER 5/16, ZINC PLT.591 OD, .319 I	2.000	2.00
10CB3001	CONDUIT BOX CAST W/2.500 LEAD HOLE	1.000	35.00
19XW3118A12	.31-18 HEX WASHER HEAD TAPTITE II	4.000	2.00
HW1001A31	LOCKWASHER 5/16, ZINC PLT.591 OD, .319 I	4.000	2.00
WD1000B16	KPA-4C BURNDY TERMINAL	1.000	4.00
51XF2520A08	SCREW, HEX SER SLT HD, ZN 1/4-20 X .50 L	1.000	2.00
40EP3200A02	STD FREP OPEN 309 BRG	1.000	244.00
HW5100A11	W3917-042 WVY WSHR (WB)	1.000	4.00
40EP3201A01	PU ENDPLATE, MACH - OPEN - FOR 312 BRG	1.000	174.00
XY3816A12	3/8-16 FINISHED NUT	8.000	2.00
10CB3500SP	CONDUIT BOX LID, CAST	1.000	31.00
51XW2520A12	.25-20 X .75, TAPTITE II, HEX WSHR SLTD	4.000	2.00
HW2501H33	KEY, 1/2 SQ X 3.875	1.000	2.00
LB1115	LABEL,LIFTING DEVICE (ON ROLLS0	1.000	2.00
HA4051A00	PLASTIC CAP FOR GREASE FITTING	1.000	2.00
HW4500A03	GREASE FITTING, .125 NPT 1610(ALEMITE) 8	1.000	2.00
HW4500A20	1/8NPT SL PIPE PLUG	1.000	2.00
MJ1000A02	GREASE, POLYREX EM EXXON	0.050	10.00

Parts List (continued)			
Product ID	Description	Quantity	List Price
HA4051A00	PLASTIC CAP FOR GREASE FITTING	1.000	2.00
HW4500A03	GREASE FITTING, .125 NPT 1610(ALEMITE) 8	1.000	2.00
HW4500A20	1/8NPT SL PIPE PLUG	1.000	2.00
MG1000G27	PAINT- S9282E CHARCOAL GREY	0.030	4,000.00
85XU0407A04	#4-7 X 1/4 DRIVE PIN	2.000	2.00
HA3159A08	THRUBOLT- .38-16 X 20.00 LONG STUD	4.000	7.00
40AD2002A01	LEXAN BAFFLE 40 FR OPEN	2.000	14.00
LB1119	WARNING LABEL	1.000	2.00
LB1125C04	STD-E (STOCK CTN LABEL STD-E WITH FLAG)	4.000	2.00
LC0104A01	CONNECTION LABEL	1.000	3.00
LB5040	INSTRUCTION TAG, AC & DC	1.000	2.00
NP1256L	NP STD LASER ENGRAVED, UL CSA CC, W/O TH	1.000	3.00
40PA1000	PACKAGING GROUP	1.000	67.00

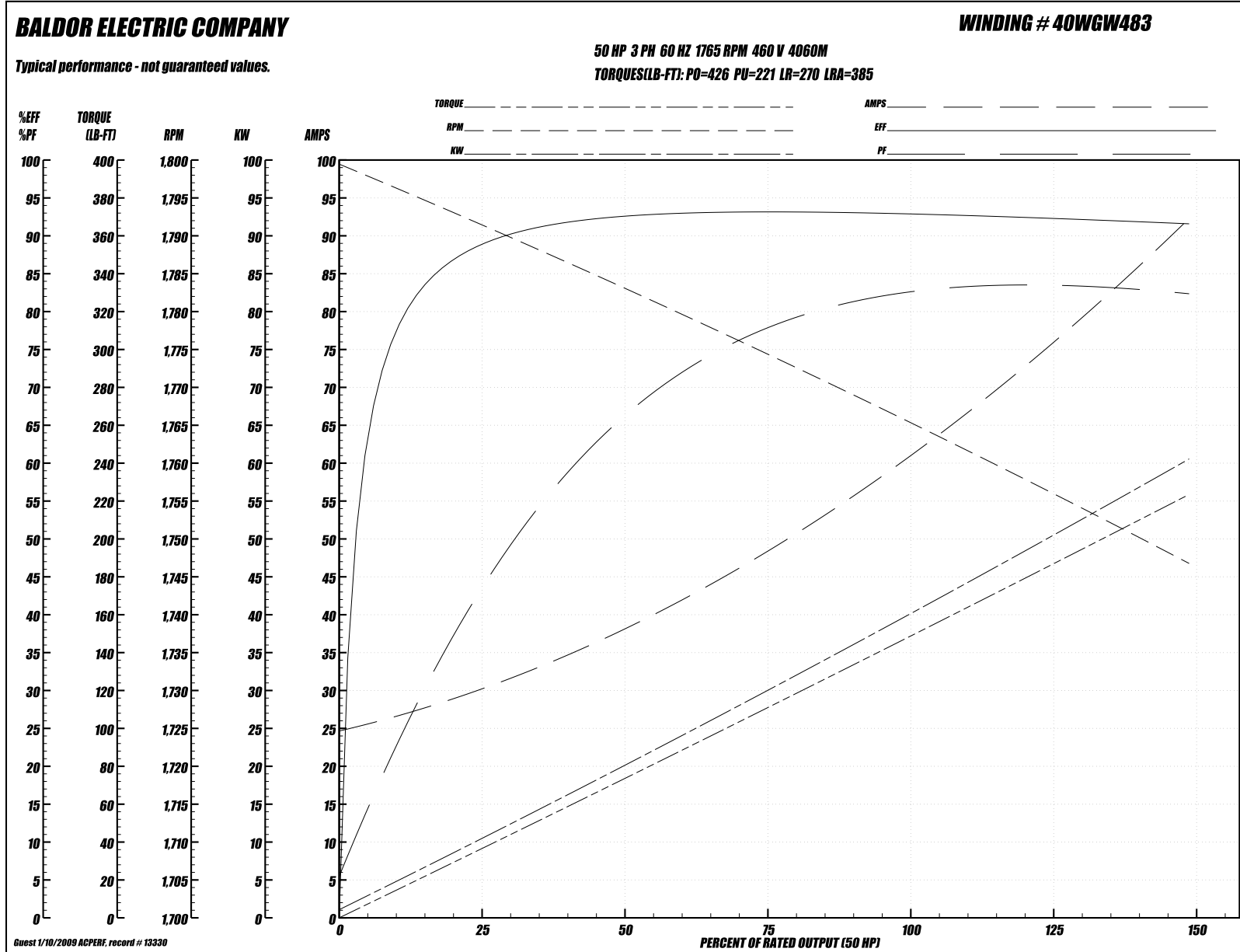
Performance Data at 460V, 60Hz, 50.0HP (Typical performance - Not guaranteed values)
General Characteristics

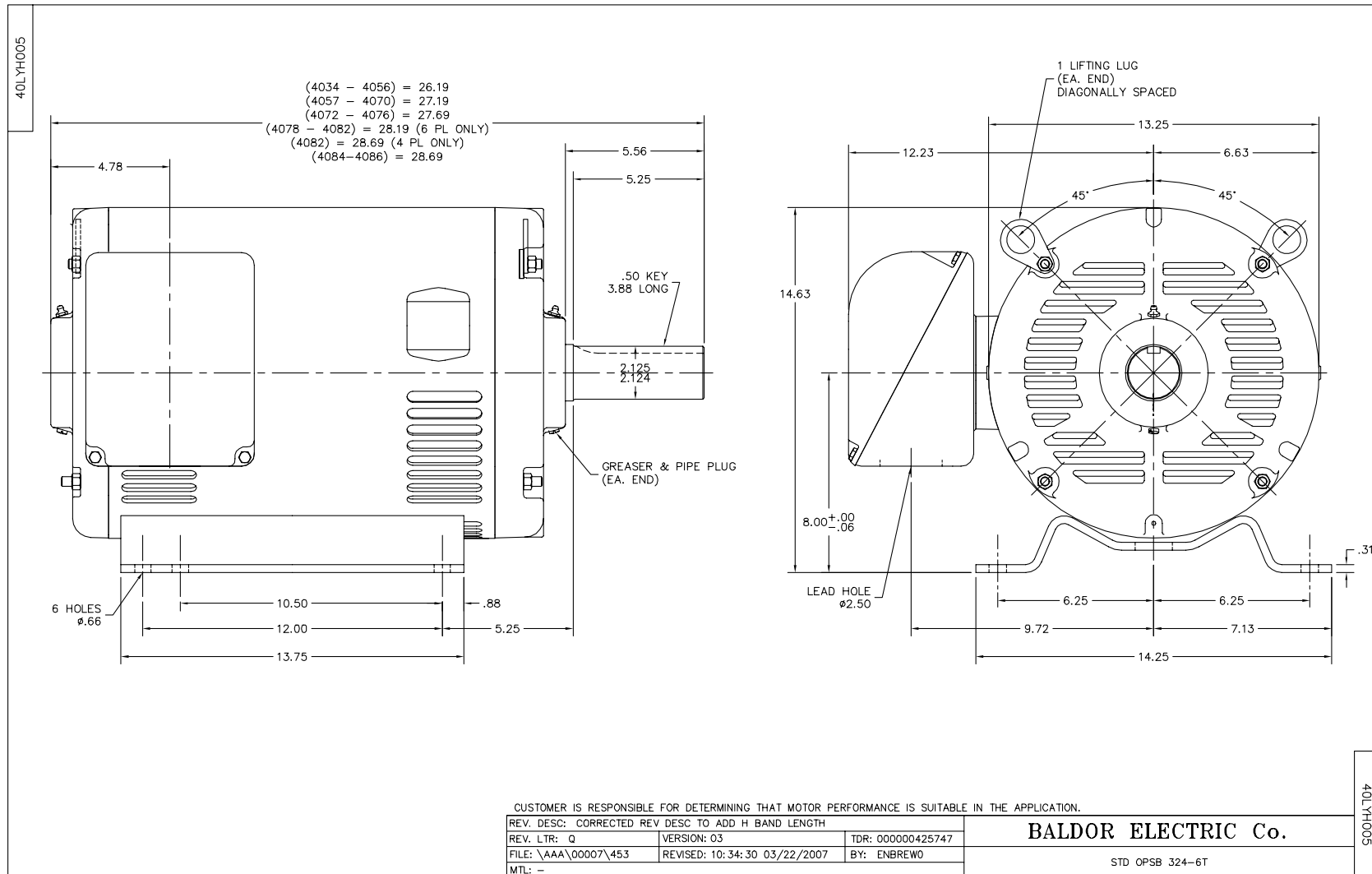
Full Load Torque:	149.0 LB-FT	Start Configuration:	DOL
No-Load Current:	25.5 Amps	Break-Down Torque:	426.0 LB-FT
Line-line Res. @ 25°C.:	0.1406 Ohms A Ph / 0.0 Ohms B Ph	Pull-Up Torque:	221.0 LB-FT
Temp. Rise @ Rated Load:	54°C	Locked-Rotor Torque:	270.0 LB-FT
Temp. Rise @ S.F. Load:	72°C	Starting Current:	385.0 Amps

Load Characteristics

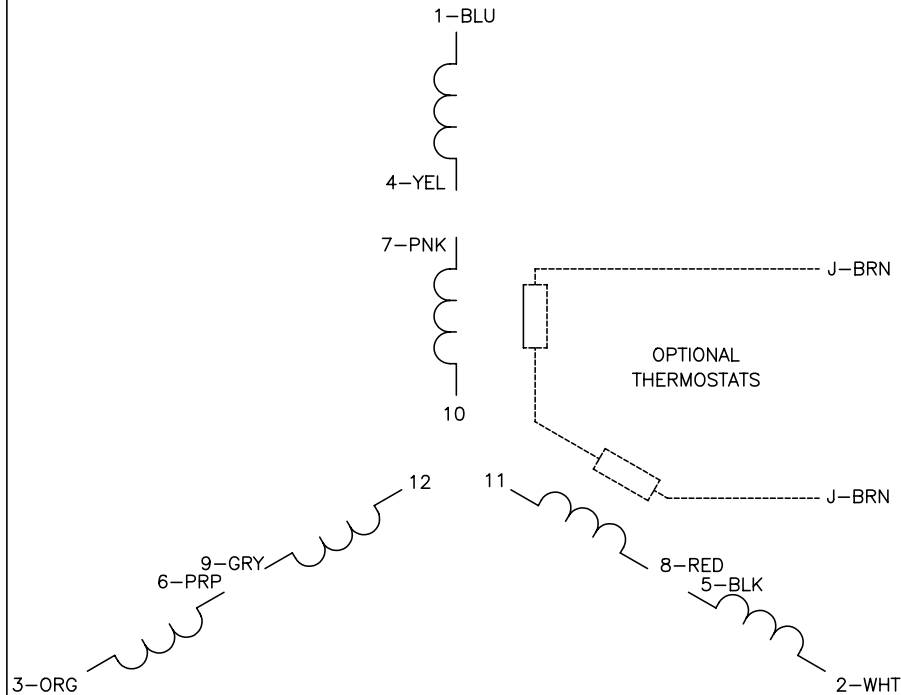
% of Rated Load:	25	50	75	100	125	150	S.F.
Power Factor:	45.0	67.0	77.0	81.0	83.0	84.0	0.0
Efficiency:	88.4	92.4	93.2	93.0	92.4	91.5	0.0
Speed:	1792.0	1783.0	1774.0	1765.0	1756.0	1747.0	0.0
Line Amperes:	29.2	37.8	49.0	61.8	75.9	91.8	70.2

Performance Graph at 460V, 60Hz, 50.0HP (Typical performance - Not guaranteed values)





CD0104



LOW VOLTAGE

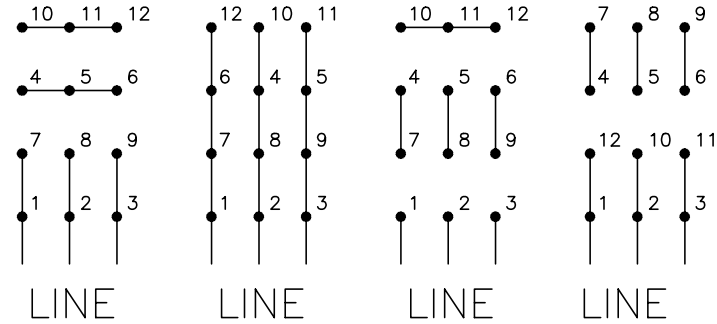
START (2Y)

RUN (2D)

HIGH VOLTAGE

START (1Y)

RUN (1D)



NOTES:

1. INTERCHANGE ANY TWO LINE LEADS TO REVERSE ROTATION.
2. OPTIONAL THERMOSTATS ARE PROVIDED WHEN SPECIFIED.
3. ACTUAL NUMBER OF INTERNAL PARALLEL CIRCUITS MAY BE A MULTIPLE OF THOSE SHOWN ABOVE.
4. LEAD COLORS ARE OPTIONAL. LEADS MUST ALWAYS BE NUMBERED AS SHOWN.

REV. DESC: REVISE TO SHOW OPTIONAL COLORS			
REV. LTR: C	BY: JLP	REVISED: 01/19/99 4:24	TDR: 0171435
CD0104		FILE: AAA00008377	MDL: -
		MTL: -	

BALDOR ELECTRIC Co.

3PH, DV, 12 LEADS, Y START/D RUN

CD0104