

BALDOR® • ***RELIANCE***

Product Information Packet

M2549T

75HP,3540RPM,3PH,60HZ,364TS,4248M,OPSB

Part Detail							
Revision:	N	Status:	INA/A	Change #:		Proprietary:	No
Type:	AC	Elec. Spec:	42WGW409	CD Diagram:	CD0180	Mfg Plant:	
Mech. Spec:	42F98	Layout:	42LYF098	Poles:	02	Created Date:	
Base:	RG	Eff. Date:	04-24-2008	Leads:	9#6		

Specs			
Enclosure:	ODP	Insulation Class:	B
Frame:	364TS	Inverter Code:	Not Inverter
Frame Material:	Steel	KVA Code:	G
Output @ Frequency:	75.000 HP @ 60 HZ	Lifting Lugs:	Standard Lifting Lugs
Synchronous Speed @ Frequency:	3600 RPM @ 60 HZ	Locked Bearing Indicator:	Locked Bearing
Voltage @ Frequency:	230.0 V @ 60 HZ	Motor Lead Quantity/Wire Size:	9 @ 6 AWG
	460.0 V @ 60 HZ	Motor Lead Exit:	Ko Box
Agency Approvals:	CSA	Motor Lead Termination:	Flying Leads
	UR	Motor Type:	4248M
Auxillary Box:	No Auxillary Box	Mounting Arrangement:	F1
Auxillary Box Lead Termination:	None	Power Factor:	90
Base Indicator:	Rigid	Product Family:	General Purpose
Bearing Grease Type:	Polyrex EM (-20F +300F)	Pulley End Bearing Type:	Ball
Blower:	None	Pulley Face Code:	Standard
Current @ Voltage:	184.000 A @ 208.0 V	Pulley Shaft Indicator:	Standard
	84.000 A @ 460.0 V	Rodent Screen:	None
	168.000 A @ 230.0 V	Shaft Extension Location:	Pulley End
Design Code:	B	Shaft Ground Indicator:	No Shaft Grounding

Drip Cover:	No Drip Cover	Shaft Rotation:	Reversible
Duty Rating:	CONT	Shaft Slinger Indicator:	No Slinger
Electrically Isolated Bearing:	Not Electrically Isolated	Speed Code:	Single Speed
Feedback Device:	No Feedback	Motor Standards:	NEMA
Front Face Code:	Standard	Starting Method:	Direct on line
Front Shaft Indicator:	None	Thermal Device - Bearing:	None
Heater Indicator:	No Heater	Thermal Device - Winding:	None
		Vibration Sensor Indicator:	No Vibration Sensor

Nameplate NP1256L										
CAT.NO.	M2549T									
SPEC.	42F098W409H1									
HP	75									
VOLTS	230/460									
AMP	168/84									
RPM	3540									
FRAME	364TS				HZ	60			PH	3
SER.F.	1.15		CODE	G	DES	B		CLASS	B	
NEMA-NOM-EFF	93		PF	90						
RATING	40C AMB-CONT									
CC	010A				USABLE AT 208V			184		
DE	6313				ODE	6311				
ENCL	OPSB		SN							

Parts List		
Part Number	Description	Quantity
SA011223	SA 42F098W409H1	1.000 EA
RA007451	RA 42F098W409H1	1.000 EA
S/P101-000-004	EPACT PROC-CL, 280FR & UP,LARGE BOX,POLY	1.000 EA
HA6360	LIFTING LUG FOR 42 FRAME MOTORS.	2.000 EA
HA6017A01	CAST ADAPTOR	1.000 EA
19XW3118A12	.31-18 X .75 HEX WASHER HEAD TAPTITE II	2.000 EA
HW1001A31	LOCKWASHER 5/16, ZINC PLT.591 OD, .319 I	2.000 EA
10CB3002	CONDUIT BOX CAST W/3.625 LEAD HOLE	1.000 EA
HW1001A31	LOCKWASHER 5/16, ZINC PLT.591 OD, .319 I	4.000 EA
WD1000B16	T&B CX70TN TERMINAL	1.000 EA
51XF2520A08	SCREW, HEX SER SLT HD, ZN 1/4-20 X .50 L	1.000 EA
42EP3200A01	FR ENDPLATE, MACH 324-6T	1.000 EA
HA4051A00	PLASTIC CAP FOR GREASE FITTING	1.000 EA
HW5100A13	W4627-047 WVY WSHER	1.000 EA
42EP1202A01	STD PU ENDPLATE MODEL 42 313 BRG.	1.000 EA
HA4051A00	PLASTIC CAP FOR GREASE FITTING	1.000 EA
10XN3816K44	3/8-16 X 2.75 HEX HD CAP SCREW, GRADE 5	4.000 EA
HW1001A38	LOCKWASHER 3/8, ZINC PLT .688 OD, .382 I	4.000 EA
XY5013A12	NUT,1/2-13,HEX,STEEL,ZINCPLATED	8.000 EA
10CB3500SP	CONDUIT BOX LID, CAST	1.000 EA
51XW2520A12	.25-20 X .75, TAPTITE II, HEX WSHR SLTD	4.000 EA
HW2501H18	KEY, 1/2 SQ X 2.000	1.000 EA
LB1115N	LABEL,LIFTING DEVICE (ON ROLLS)	1.000 EA
19XW3118A12	.31-18 X .75 HEX WASHER HEAD TAPTITE II	4.000 EA

Parts List (continued)		
Part Number	Description	Quantity
HW4500A03	GREASE FITTING, .125 NPT 1610(ALEMITE) 8	1.000 EA
HW4500A20	1/8NPT SL PIPE PLUG	1.000 EA
MJ1000A02	GREASE, POLYREX EM EXXON (USe 4824-15A)	0.030 LB
HW4500A03	GREASE FITTING, .125 NPT 1610(ALEMITE) 8	1.000 EA
HW4500A20	1/8NPT SL PIPE PLUG	1.000 EA
MG1000G27	MED CHARCOAL METALLIC GREY 400-0096	0.050 GA
85XU0407A04	#4-7 X 1/4 DRIVE PIN	2.000 EA
42AD2001C01	BAFFLE PLATE 42 OPEN, SLOTTED BAND MTRS	1.000 EA
42AD2001C01	BAFFLE PLATE 42 OPEN, SLOTTED BAND MTRS	1.000 EA
HA3151A07	THRUBOLT STUD 1/2-13 X 20.000	4.000 EA
LB1119N	WARNING LABEL	1.000 EA
LB1125C04	STD-E (STOCK CTN LABEL STD-E WITH FLAG)	4.000 EA
LC0181	CONNECTION LABEL	1.000 EA
NP1256L	ALUM UL CSA CC	1.000 EA
42PA1000	PACKAGING GROUP PRINT PK1024A06	1.000 EA
MN416A01	TAG-INSTAL-MAINT no wire (1100/bx) 11/14	1.000 EA

Accessories		
Part Number	Description	Multiplier
42-1400	C FACE KIT	A8

AC Induction Motor Performance Data

Record # 13661 - Typical performance - not guaranteed values

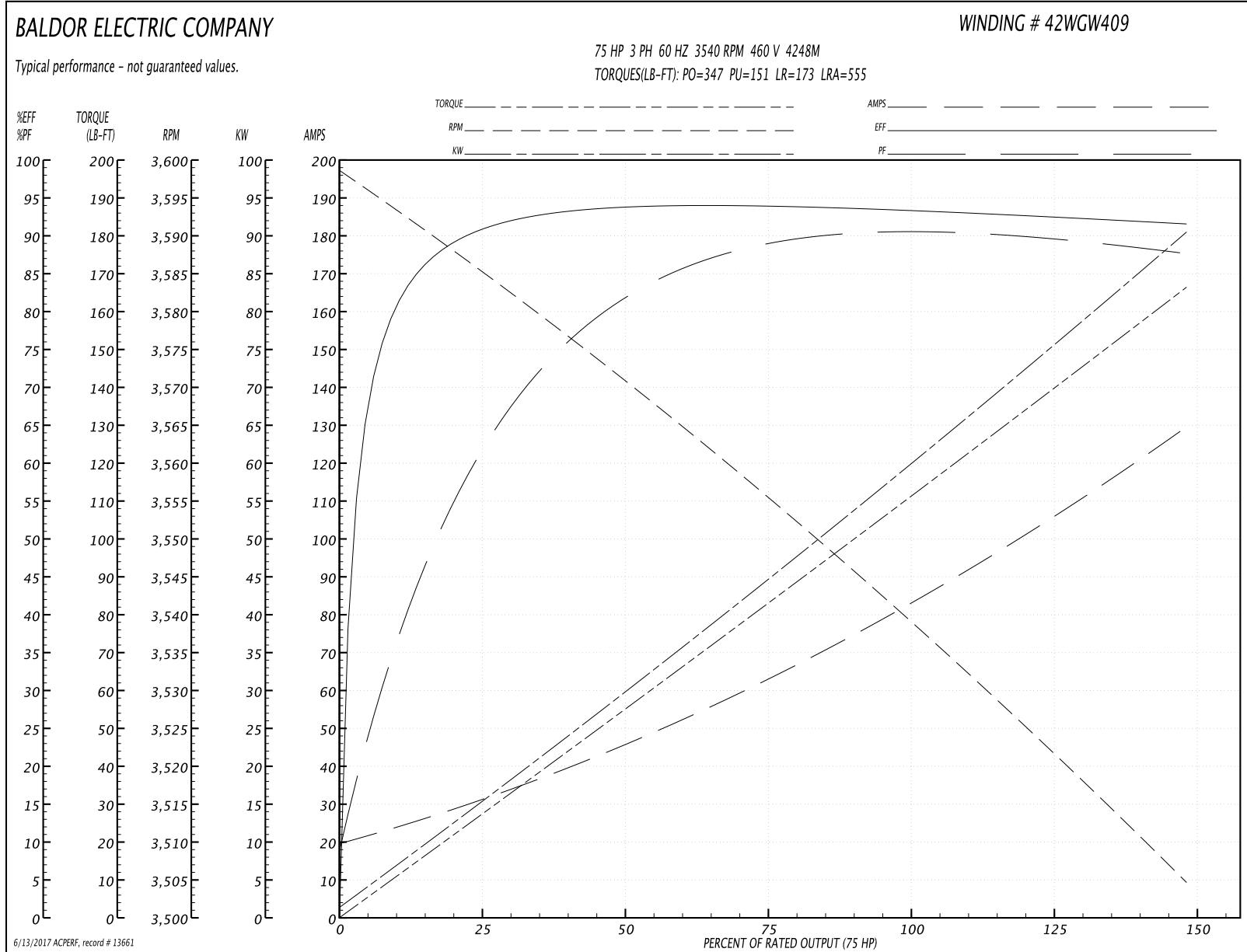
Winding: 42WGW409-R001	Type: 4248M	Enclosure: OPSB
-------------------------------	--------------------	------------------------

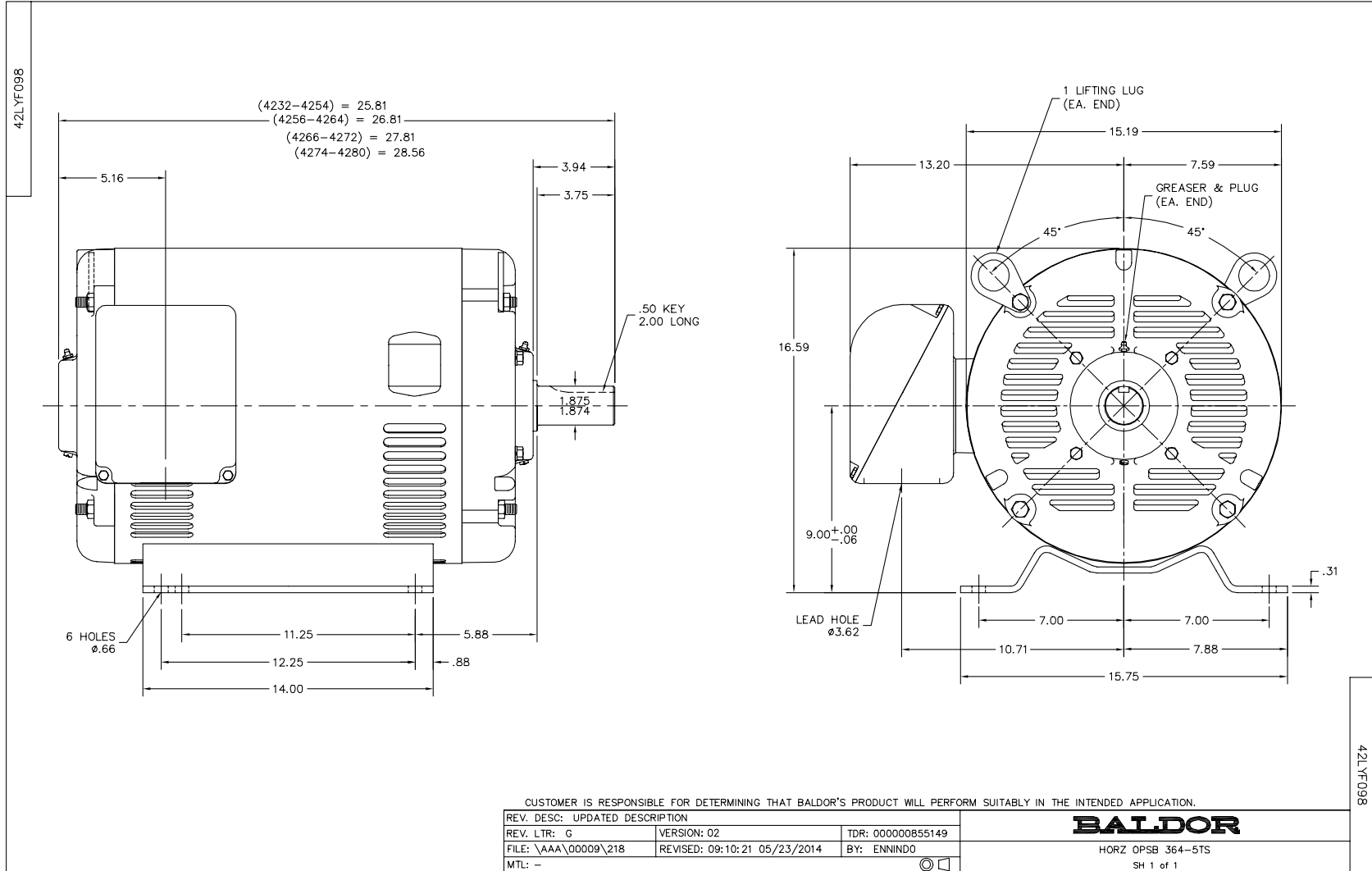
Nameplate Data				460 V, 60 Hz: High Voltage Connection	
Rated Output (HP)	75			Full Load Torque	111 LB-FT
Volts	230/460			Start Configuration	direct on line
Full Load Amps	168/84			Breakdown Torque	347 LB-FT
R.P.M.	3540			Pull-up Torque	151 LB-FT
Hz	60	Phase	3	Locked-rotor Torque	173 LB-FT
NEMA Design Code	B	KVA Code	G	Starting Current	555 A
Service Factor (S.F.)	1.15			No-load Current	20.9 A
NEMA Nom. Eff.	93	Power Factor	90	Line-line Res. @ 25°C	0.092 Ω
Rating - Duty	40C AMB-CONT			Temp. Rise @ Rated Load	41°C
S.F. Amps				Temp. Rise @ S.F. Load	55°C
				Locked-rotor Power Factor	22
				Rotor inertia	3.76 LB-FT ²

Load Characteristics 460 V, 60 Hz, 75 HP

% of Rated Load	25	50	75	100	125	150	S.F.
Power Factor	66	83	88	90	90	89	90
Efficiency	90.8	93.6	93.9	93.4	92.6	91.5	92.9
Speed	3585	3570	3555	3540	3523	3504	3530
Line amperes	29.5	45.3	63.7	83.9	105.4	128.9	96.8

Performance Graph at 460V, 60Hz, 75.0HP Typical performance - Not guaranteed values

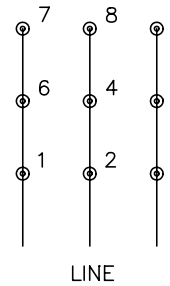




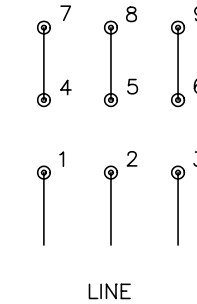
CD0180



LOW VOLTAGE
(2D)



HIGH VOLTAGE
(1D)



NOTES:

1. INTERCHANGE ANY TWO LINE LEADS TO REVERSE ROTATION.
2. OPTIONAL THERMOSTATS ARE PROVIDED WHEN SPECIFIED.
3. ACTUAL NUMBER OF INTERNAL PARALLEL CIRCUITS MAY BE A MULTIPLE OF THOSE SHOWN ABOVE.
4. LEAD COLORS ARE OPTIONAL. LEADS MUST ALWAYS BE NUMBERED AS SHOWN.

REV. DESC: REVISE TO SHOW OPTIONAL COLORS			
REV. LTR: C	BY: JLP	REVISED: 01/21/99 2:28	TDR: 0171435
0810D0		FILE: AAA00005148	MDL: -
		MTL: -	

BALDOR ELECTRIC Co.

3PH, DV, 9 LEADS, DELTA CONNECTION

CD0180