

BALDOR® • RELIANCE

Product Information Packet

M2559TS-4

125HP, 1775RPM, 3PH, 60HZ, 405TS, 4486M, OPSB

Part Detail							
Revision:	K	Status:	INA/A	Change #:		Proprietary:	No
Type:	AC	Prod. Type:	4486M	Elec. Spec:	44WGW110	CD Diagram:	
Enclosure:	OPSB	Mfg Plant:		Mech. Spec:	44F008	Layout:	
Frame:	405TS	Mounting:	F1	Poles:	04	Created Date:	
Base:	RG	Rotation:	R	Insulation:	B	Eff. Date:	05-09-2007
Leads:	6#6	Literature:		Elec. Diagram:		Replaced By:	

Nameplate NP1256L

CAT.NO.	M2559TS-4						
SPEC.	44F008W110H1						
HP	125						
VOLTS	460						
AMP	146						
RPM	1775						
FRAME	405TS	HZ	60	PH	3		
SER.F.	1.15	CODE	G	DES	B	CLASS	B
NEMA-NOM-EFF	94.5	PF	85				
RATING	40C AMB-CONT						
CC	010A	USABLE AT 208V					
DE	6313	ODE	6312				
ENCL	OPSB	SN					

Parts List		
Part Number	Description	Quantity
SA094495	SA 44F008W110H1	1.000 EA
RA087026	RA 44F008W110H1	1.000 EA
S/P101-000-004	EPACT PROC-CL, 280FR & UP,LARGE BOX,POLY	1.000 EA
HA6731	LIFTING LUG FOR 44 FRAME MOTORS.	2.000 EA
HA6648A01	CAST ADAPTER, 44 FRAME - NEMA 404-5 - MA	1.000 EA
19XW3816A16	.38-16 X 1.00 HEX WASHER HEAD TAPTITE II	2.000 EA
HW1001A38	LOCKWASHER 3/8, ZINC PLT .688 OD, .382 I	2.000 EA
18CB1006A04	CB 318 3.62 LD HOLE, .38 MTG HOLE & 3.88	1.000 EA
19XW3118A16	.31-18 HEX WASHER HEAD TAPTITE II 1.00 L	4.000 EA
HW1001A31	LOCKWASHER 5/16, ZINC PLT.591 OD, .319 I	4.000 EA
WD1000B25	BURNDY TERMINAL L125HP	1.000 EA
10XN3118K08	5/16-18 X .50 GRADE #5, STL, ZINC PLATE	1.000 EA
HW1001A31	LOCKWASHER 5/16, ZINC PLT.591 OD, .319 I	1.000 EA
44EP1203A02	FREP, MACH	1.000 EA
HA4051A00	PLASTIC CAP FOR GREASE FITTING	1.000 EA
HW5100A15	W4997-050 WVY WSHR (WB)	1.000 EA
10XN3816K48	3/8-16 X 3 HEX HD CAP SCREW,Z/P	4.000 EA
HW1001A38	LOCKWASHER 3/8, ZINC PLT .688 OD, .382 I	4.000 EA
44EP1203A01	PU ENDPLATE, MACH	1.000 EA
HA4051A00	PLASTIC CAP FOR GREASE FITTING	1.000 EA
XY5013A12	NUT,1/2-13,HEX,STEEL,ZINCPLATED	8.000 EA
18CB1506A01	CB LID 318 FOR 18CB1006	1.000 EA
10XN3118K16	5/16-18 X 1" GRADE #5, STL, ZINC PLATE	4.000 EA
HW1001A31	LOCKWASHER 5/16, ZINC PLT.591 OD, .319 I	4.000 EA

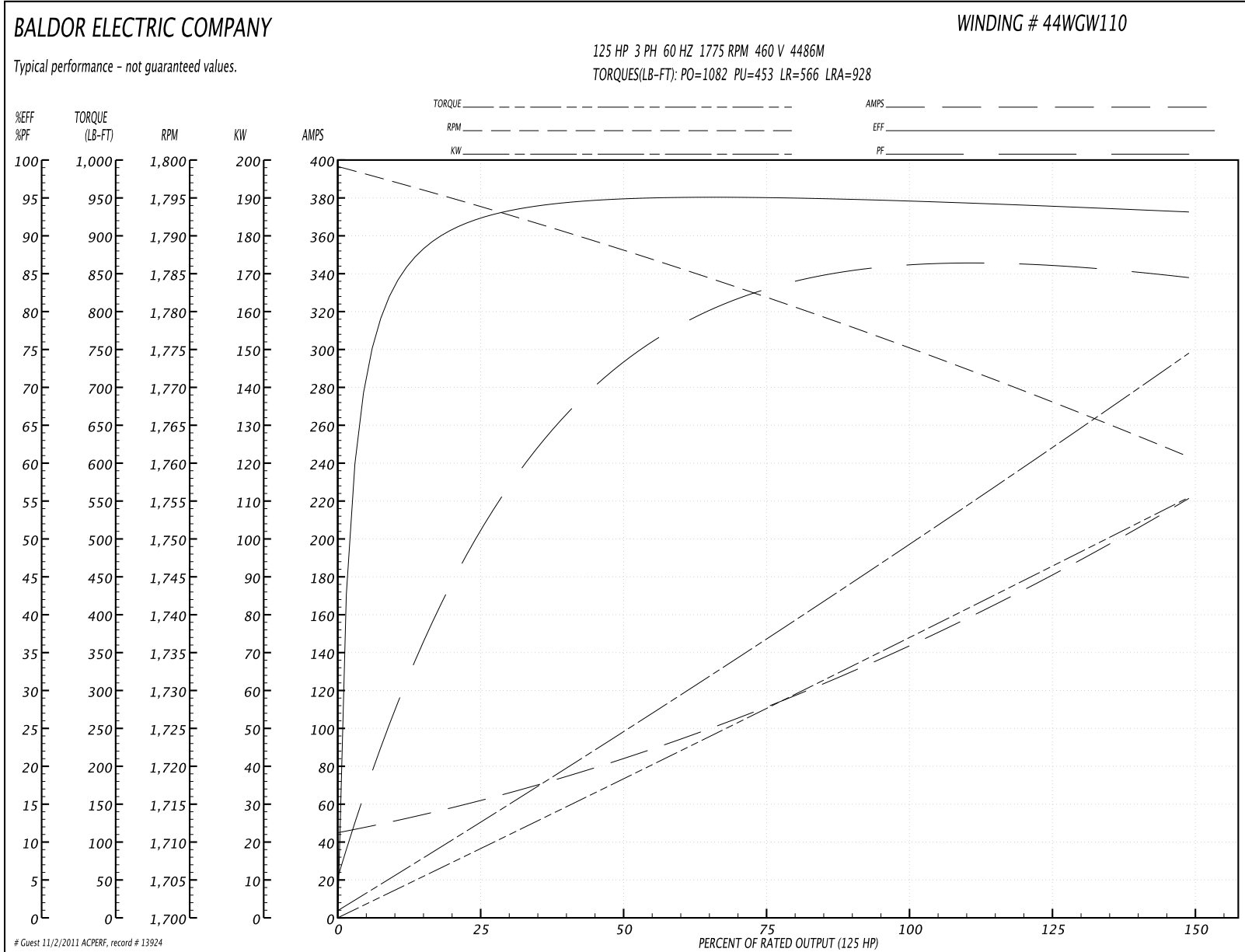
Parts List (continued)		
Part Number	Description	Quantity
HW2501H24	KEY, 1/2 SQ X 2.750	1.000 EA
LB1115	LABEL,LIFTING DEVICE	1.000 EA
44AD2003A01	BAFFLE PLATE 44 OPSB, "X" = -.470, "Y" =	1.000 EA
HW4500A03	GREASE FITTING, .125 NPT 1610(ALEMITE) 8	1.000 EA
HW4500A20	1/8NPT SL PIPE PLUG	1.000 EA
MJ1000A75	GREASE, POLYREX EM EXXON	0.030 LB
44AD2003A01	BAFFLE PLATE 44 OPSB, "X" = -.470, "Y" =	1.000 EA
HW4500A03	GREASE FITTING, .125 NPT 1610(ALEMITE) 8	1.000 EA
HW4500A20	1/8NPT SL PIPE PLUG	1.000 EA
HA3175A03	THRUBOLT STUD 1/2-13 X 24.250 - GRADE 2	4.000 EA
MG1000G27	PAINT- S9282E CHARCOAL GREY	0.080 GA
85XU0407A04	#4-7 X 1/4 DRIVE PIN	2.000 EA
LB1119	WARNING LABEL	1.000 EA
LB1125C04	STD-E (STOCK CTN LABEL STD-E WITH FLAG)	4.000 EA
LC0382	CONNECTION LABEL	1.000 EA
LB5040	INSTRUCTION TAG, AC & DC	1.000 EA
NP1256L	ALUM, UL CSA CC, W/O THERMAL, LASER	1.000 EA
44PA1000	PK GP COMB PRINT 39-3/8X31X23-7/8	1.000 EA

Accessories		
Part Number	Description	Multiplier
44-1403	C FACE KIT 44/404 USC TSC 6313 BRG	A8

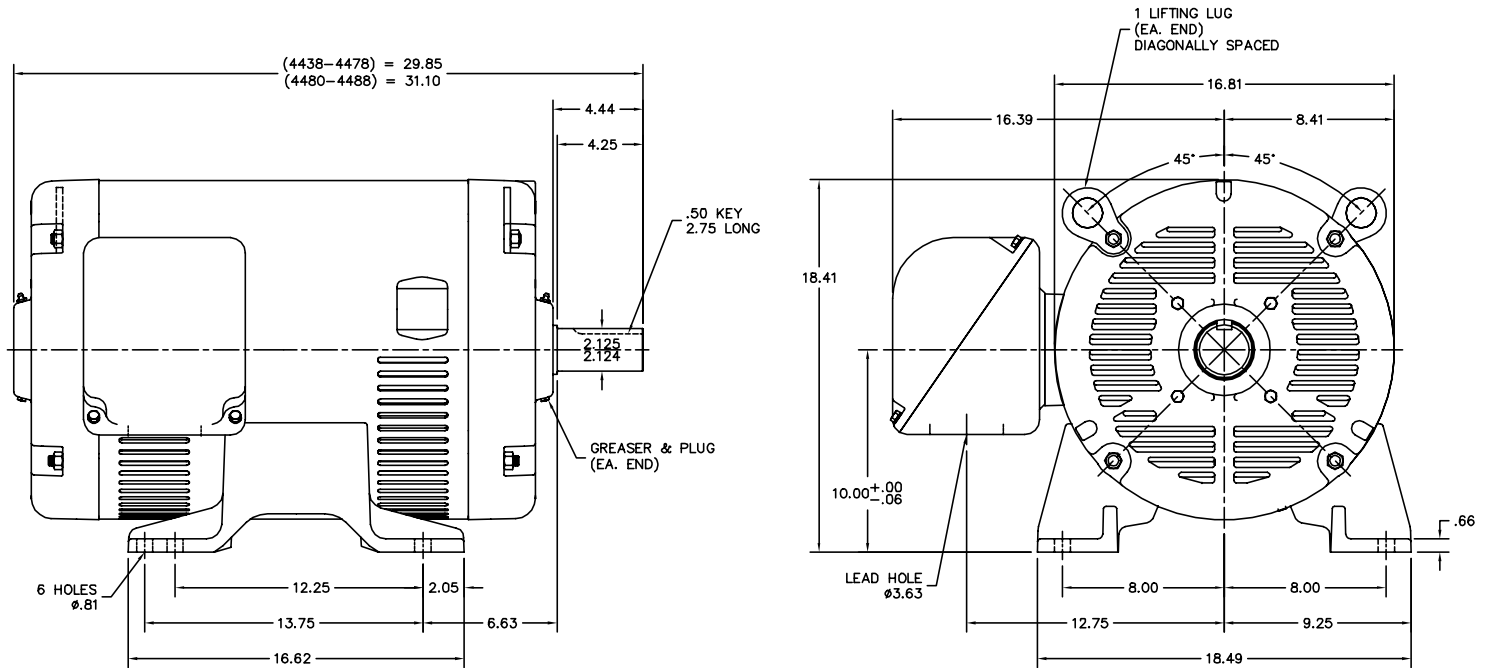
Performance Data at 460V, 60Hz, 125.0HP (Typical performance - Not guaranteed values)

General Characteristics							
Full Load Torque:	370.0 LB-FT			Start Configuration:	DOL		
No-Load Current:	47.3 Amps			Break-Down Torque:	1082.0 LB-FT		
Line-line Res. @ 25°C.:	0.0374 Ohms A Ph / 0.0 Ohms B Ph			Pull-Up Torque:	453.0 LB-FT		
Temp. Rise @ Rated Load:	66 C			Locked-Rotor Torque:	566.0 LB-FT		
Temp. Rise @ S.F. Load:	87 C			Starting Current:	928.0 Amps		
Load Characteristics							
% of Rated Load	25	50	75	100	125	150	S.F.
Power Factor:	54.0	74.0	82.0	85.0	86.0	86.0	86.0
Efficiency:	92.4	94.8	95.0	94.6	94.0	93.1	94.2
Speed:	1794.0	1788.0	1782.0	1775.0	1768.0	1761.0	1771.0
Line Amperes:	59.0	83.1	112.5	145.5	181.3	219.9	167.0

Performance Graph at 460V, 60Hz, 125.0HP Typical performance - Not guaranteed values



44LYF008



CUSTOMER IS RESPONSIBLE FOR DETERMINING THAT MOTOR PERFORMANCE IS SUITABLE IN THE APPLICATION.

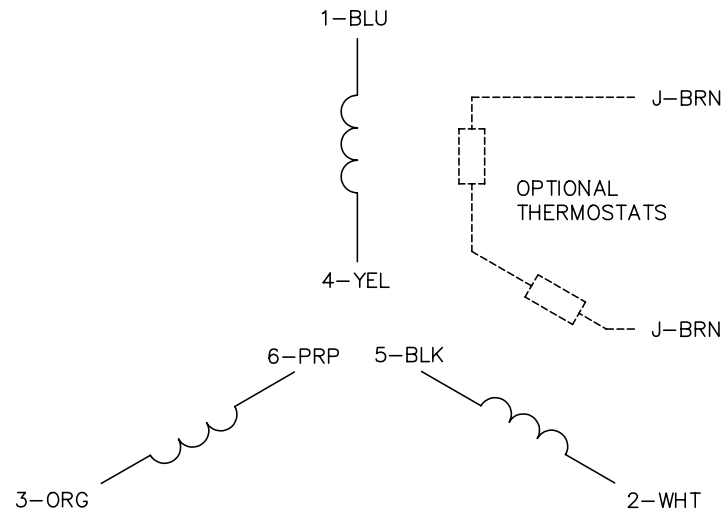
REV. DESC: NEW			
REV. LTR: -	BY: DLS	REVISED: 11:02:42 09/16/2002	TDR: 281208
FILE: AAA00098703			REF: 44LYF008
MTL: -			

BALDOR ELECTRIC Co.

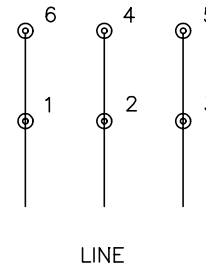
HORZ OPSB 404-5TS W/44AD2003

44LYF008

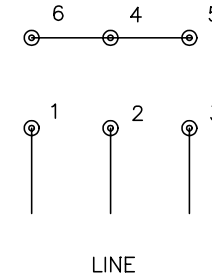
CD0382



RUN CONNECTION (1D)



START CONNECTION (1Y)



NOTES:

1. INTERCHANGE ANY TWO LINE LEADS TO REVERSE ROTATION.
2. OPTIONAL THERMOSTATS ARE PROVIDED WHEN SPECIFIED.
3. ACTUAL NUMBER OF INTERNAL PARALLEL CIRCUITS MAY BE A MULTIPLE OF THOSE SHOWN ABOVE.
4. LEAD COLORS ARE OPTIONAL. LEADS MUST ALWAYS BE NUMBERED AS SHOWN.
5. FOR ACROSS-THE-LINE STARTING, USE 'RUN' CONNECTION.

REV. DESC: ADD NOTE 5 FOR DOL STARTING			
REV. LTR: E	BY: JLP	REVISED: 11/30/00 2:26	TDR: 0226155
CD0382		FILE: AAA00005243	REF: -
		MTL: -	

BALDOR ELECTRIC Co.

3PH, SV, 6 LEADS, Y START/D RUN

CD0382