

# **BALDOR® • RELIANCE**

**Product Information Packet**

**ELECTRIC MOTOR WHOLESAL.COM**

**M3013**

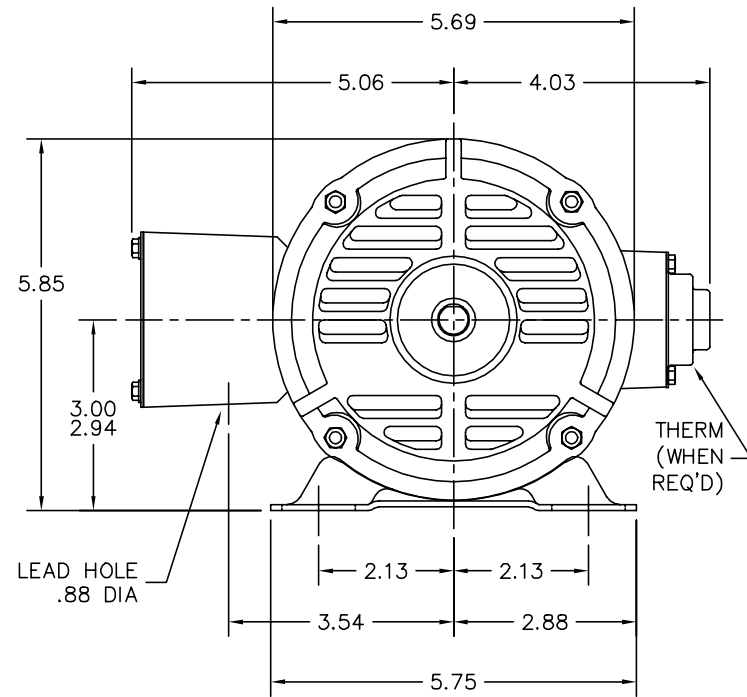
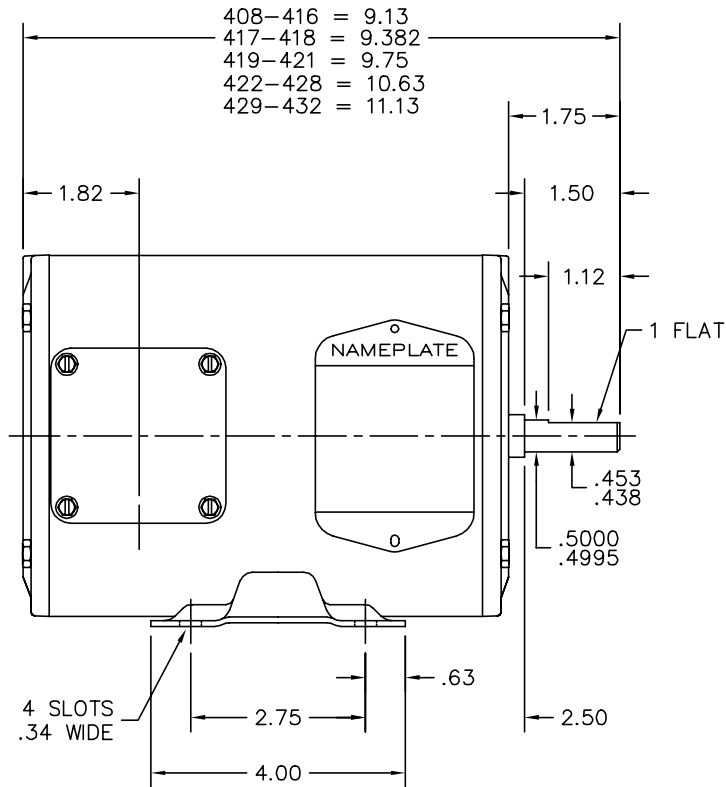
**.75HP, 1725RPM, 3PH, 60HZ, 48, 3420M, OPEN, F1**

| Part Detail |      |             |       |                |          |               |            |
|-------------|------|-------------|-------|----------------|----------|---------------|------------|
| Revision:   | P    | Status:     | PRD/A | Change #:      |          | Proprietary:  | No         |
| Type:       | AC   | Prod. Type: | 3420M | Elec. Spec:    | 34WG0883 | CD Diagram:   |            |
| Enclosure:  | OPEN | Mfg Plant:  |       | Mech. Spec:    | 34F002   | Layout:       |            |
| Frame:      | 48   | Mounting:   | F1    | Poles:         | 04       | Created Date: |            |
| Base:       | RG   | Rotation:   | R     | Insulation:    | B        | Eff. Date:    | 07-22-2011 |
| Leads:      | 9#18 | Literature: |       | Elec. Diagram: |          | Replaced By:  |            |

| Nameplate NP1256L |                 |      |      |                |     |       |   |
|-------------------|-----------------|------|------|----------------|-----|-------|---|
| CAT.NO.           | M3013           |      |      |                |     |       |   |
| SPEC.             | 34F02-883       |      |      |                |     |       |   |
| HP                | .75             |      |      |                |     |       |   |
| VOLTS             | 208-230/460     |      |      |                |     |       |   |
| AMP               | 3.2-3/1.5       |      |      |                |     |       |   |
| RPM               | 1725            |      |      |                |     |       |   |
| FRAME             | 48              | HZ   | 60   | PH             | 3   |       |   |
| SER.F.            | 1.25            | CODE | K    | DES            | B   | CLASS | B |
| NEMA-NOM-EFF      | 75.5            | PF   | 60   |                |     |       |   |
| RATING            | 40C AMB-CONT    |      |      |                |     |       |   |
| CC                |                 |      |      | USABLE AT 208V | 3.6 |       |   |
| DE                | 6203            | ODE  | 6203 |                |     |       |   |
| ENCL              | OPEN            | SN   |      |                |     |       |   |
|                   | SFA 3.6-3.4/1.7 |      |      |                |     |       |   |

| Parts List    |  |          |
|---------------|--|----------|
| Part Number   | Description                              | Quantity |
| SA007631      | SA 34F02-883                             | 1.000 EA |
| RA004018      | RA 34F02-883                             | 1.000 EA |
| NS2512A01     | INSULATOR, CONDUIT BOX X                 | 1.000 EA |
| 34CB3002A     | CB CAST W/.88 DIA HOLE                   | 1.000 EA |
| 51XB1016A07   | 10-16 X 7/16 HXWSSLD SERTYB              | 2.000 EA |
| 11XW1032G06   | 10-32 X .38, TAPTITE II, HEX WSHR SLTD U | 1.000 EA |
| 34EP3210A01SP | FR ENDPLATE, MACH                        | 1.000 EA |
| HW5100A03SP   | WAVY WASHER (W1543-017)                  | 1.000 EA |
| 34EP3212A02   | PU ENDPLATE, MODEL 34 OPEN               | 1.000 EA |
| XY1032A02     | 10-32 HEX NUT DIRECTIONAL SERRATION      | 4.000 EA |
| 34CB4517      | CB LID 4 MTG HOLES .22 DIA STAMPED, FOR  | 1.000 EA |
| 51XW0832A07   | 8-32 X .44, TAPTITE II, HEX WSHR SLTD SE | 4.000 EA |
| MG1000G27     | PAINT- S9282E CHARCOAL GREY 55 GALLONS   | 0.014 GA |
| 10XF0440S02   | 04-40 X 1/8 TYPE F HEX HD STAINLESS STIC | 2.000 EA |
| HA3100A44     | THRUBOLT 10-32 X 8.000                   | 4.000 EA |
| LB1125C01     | STD (STOCK) CARTON LABEL BALDOR WITH FLA | 1.000 EA |
| LC0005E01     | CONN.DIA./WARNING LABEL (LC0005/LB1119)  | 1.000 EA |
| NP1256L       | ALUM, UL CSA CC, W/O THERMAL, LASER      | 1.000 EA |
| 34PA1002      | PACKING GROUP, BALDOR                    | 1.000 EA |

34LYF002



CUSTOMER IS RESPONSIBLE FOR DETERMINING THAT MOTOR PERFORMANCE IS SUITABLE IN THE APPLICATION.

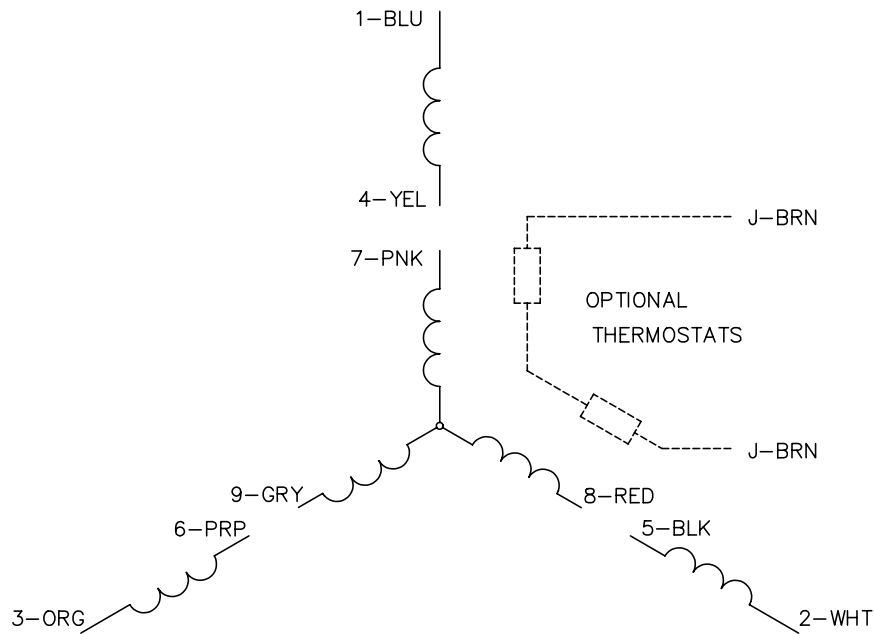
|             |  |                   |  |                              |             |
|-------------|--|-------------------|--|------------------------------|-------------|
| REV. LTR: K |  | BY: RT            |  | REVISED: 14:12:27 11/14/2003 | TDR: 314968 |
| 34LYF002    |  | FILE: AAA00026293 |  | REF: 34LYF002                |             |
|             |  | MTL: -            |  |                              |             |

**BALDOR ELECTRIC Co.**

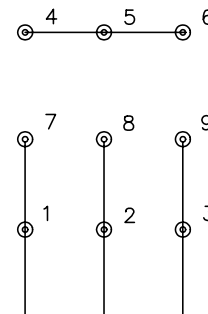
STD HORZ MODEL 34M NEMA 48 OPEN

34LYF002

CD0005

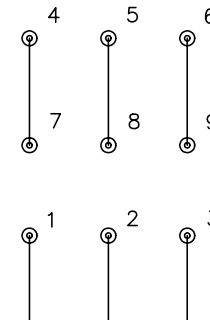


LOW VOLTAGE  
(2Y)



LINE

HIGH VOLTAGE  
(1Y)



LINE

NOTES:

1. INTERCHANGE ANY TWO LINE LEADS TO REVERSE ROTATION.
2. OPTIONAL THERMOSTATS ARE PROVIDED WHEN SPECIFIED.
3. ACTUAL NUMBER OF INTERNAL PARALLEL CIRCUITS MAY BE A MULTIPLE OF THOSE SHOWN ABOVE.
4. LEAD COLORS ARE OPTIONAL. LEADS MUST ALWAYS BE NUMBERED AS SHOWN.

|   |         |                         |              |
|---|---------|-------------------------|--------------|
| REV. DESC: REVISE TO SHOW OPTIONAL COLORS |         |                         |              |
| REV. LTR: E                               | BY: JLP | REVISED: 01/19/99 10:15 | TDR: 0171435 |
| 900000                                    |         | FILE: AAA00005140       | MDL: -       |
|   |         | MTL: -                  |              |

**BALDOR ELECTRIC Co.**

3PH, DV, 9 LEADS

CD0005