

# **BALDOR® • RELIANCE**

**Product Information Packet**

**ELECTRIC MOTOR WHOLESAL.COM**

**M3101**

**.25HP,1140RPM,3PH,60HZ,56,3411M,OPEN,F1**

| Part Detail |      |             |       |                |          |               |            |
|-------------|------|-------------|-------|----------------|----------|---------------|------------|
| Revision:   | A    | Status:     | PRD/A | Change #:      |          | Proprietary:  | No         |
| Type:       | AC   | Prod. Type: | 3411M | Elec. Spec:    | 34WG5882 | CD Diagram:   |            |
| Enclosure:  | OPEN | Mfg Plant:  |       | Mech. Spec:    | 34F779   | Layout:       |            |
| Frame:      | 56   | Mounting:   | F1    | Poles:         | 06       | Created Date: | 08-09-2011 |
| Base:       | RG   | Rotation:   | R     | Insulation:    | B        | Eff. Date:    | 08-30-2011 |
| Leads:      | 9#18 | Literature: |       | Elec. Diagram: |          | Replaced By:  |            |

**Nameplate NP1256L**

|              |              |                |      |     |   |       |   |
|--------------|--------------|----------------|------|-----|---|-------|---|
| CAT.NO.      | M3101        |                |      |     |   |       |   |
| SPEC.        | 34F779-5882  |                |      |     |   |       |   |
| HP           | .25          |                |      |     |   |       |   |
| VOLTS        | 230/460      |                |      |     |   |       |   |
| AMP          | 1.4/.7       |                |      |     |   |       |   |
| RPM          | 1140         |                |      |     |   |       |   |
| FRAME        | 56           | HZ             | 60   | PH  | 3 |       |   |
| SER.F.       | 1.35         | CODE           | K    | DES | B | CLASS | B |
| NEMA-NOM-EFF | 68           | PF             | 51   |     |   |       |   |
| RATING       | 40C AMB-CONT |                |      |     |   |       |   |
| CC           |              | USABLE AT 208V | 1.6  |     |   |       |   |
| DE           | 6203         | ODE            | 6203 |     |   |       |   |
| ENCL         | OPEN         | SN             |      |     |   |       |   |
|              | SFA 1.5/.75  |                |      |     |   |       |   |

| Parts List    |  |          |
|---------------|--|----------|
| Part Number   | Description                              | Quantity |
| SA229070      | SA 34F779-5882                           | 1.000 EA |
| RA216122      | RA 34F779-5882                           | 1.000 EA |
| NS2512A01     | INSULATOR, CONDUIT BOX X                 | 1.000 EA |
| 34CB3002A     | CB CAST W/.88 DIA HOLE                   | 1.000 EA |
| 51XB1016A07   | 10-16 X 7/16 HXWSSLD SERTYB              | 2.000 EA |
| 11XW1032G06   | 10-32 X .38, TAPTITE II, HEX WSHR SLTD U | 1.000 EA |
| 34EP3210A01SP | FR ENDPLATE, MACH                        | 1.000 EA |
| HW5100A03SP   | WAVY WASHER (W1543-017)                  | 1.000 EA |
| 34EP3212A24   | PU ENDPLATE, MODEL 34 OPEN               | 1.000 EA |
| XY1032A02     | 10-32 HEX NUT DIRECTIONAL SERRATION      | 4.000 EA |
| 34CB4517      | CB LID 4 MTG HOLES .22 DIA STAMPED, FOR  | 1.000 EA |
| 51XW0832A07   | 8-32 X .44, TAPTITE II, HEX WSHR SLTD SE | 4.000 EA |
| HW2501D13SP   | KEY, 3/16 SQ X 1.375                     | 1.000 EA |
| HA7000A04     | KEY RETAINER 0.625 DIA SHAFTS            | 1.000 EA |
| MG1000G27     | PAINT- S9282E CHARCOAL GREY 55 GALLONS   | 0.014 GA |
| 10XF0440S02   | 04-40 X 1/8 TYPE F HEX HD STAINLESS STIC | 2.000 EA |
| HA3100A12     | THRUBOLT 10-32 X 7.375                   | 4.000 EA |
| LB1125C01     | STD (STOCK) CARTON LABEL BALDOR WITH FLA | 1.000 EA |
| LC0005E01     | CONN.DIA./WARNING LABEL (LC0005/LB1119)  | 1.000 EA |
| NP1256L       | ALUM, UL CSA CC, W/O THERMAL, LASER      | 1.000 EA |
| 34PA1002      | PACKING GROUP, BALDOR                    | 1.000 EA |

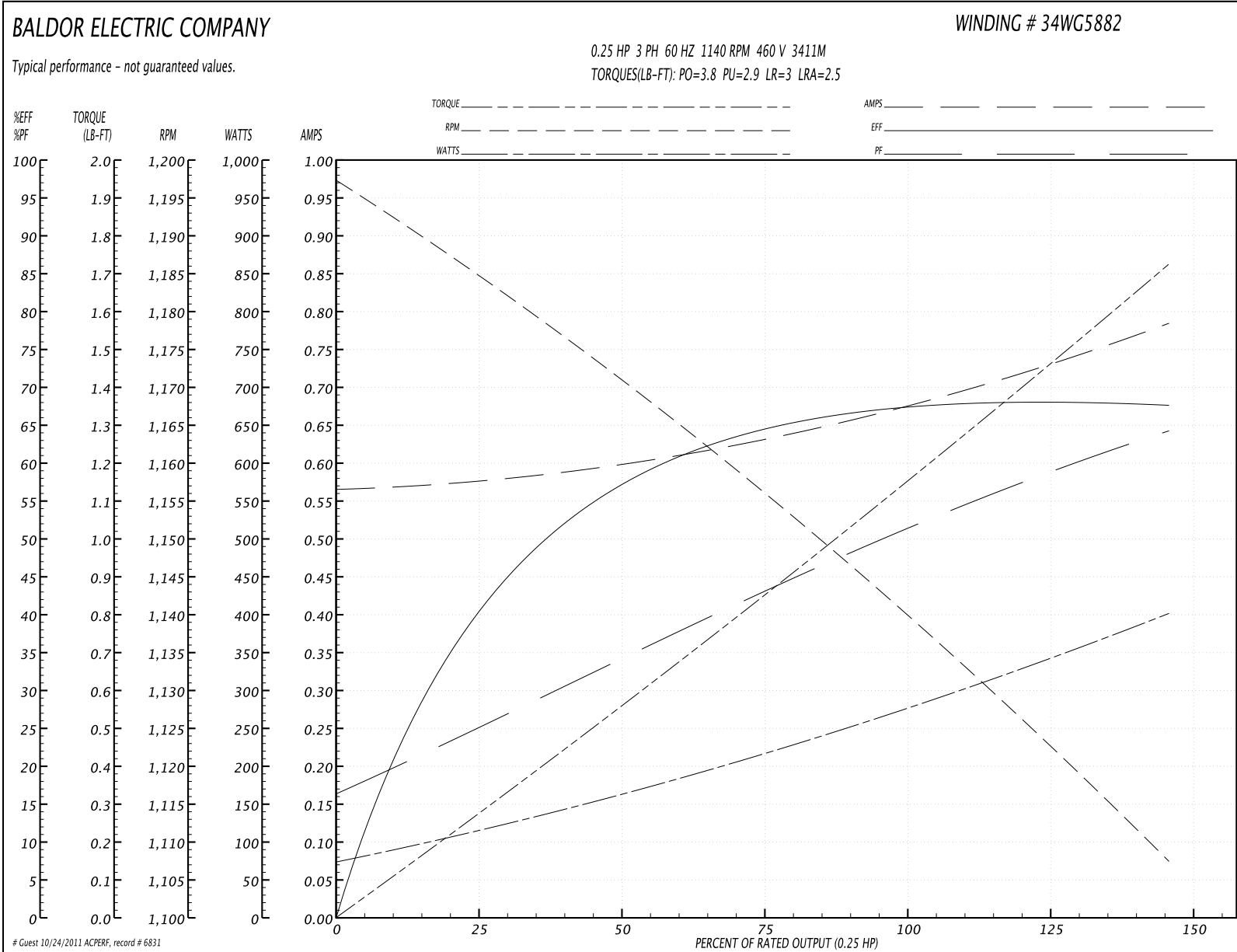
**Performance Data at 460V, 60Hz, 0.25HP (Typical performance - Not guaranteed values)**
**General Characteristics**

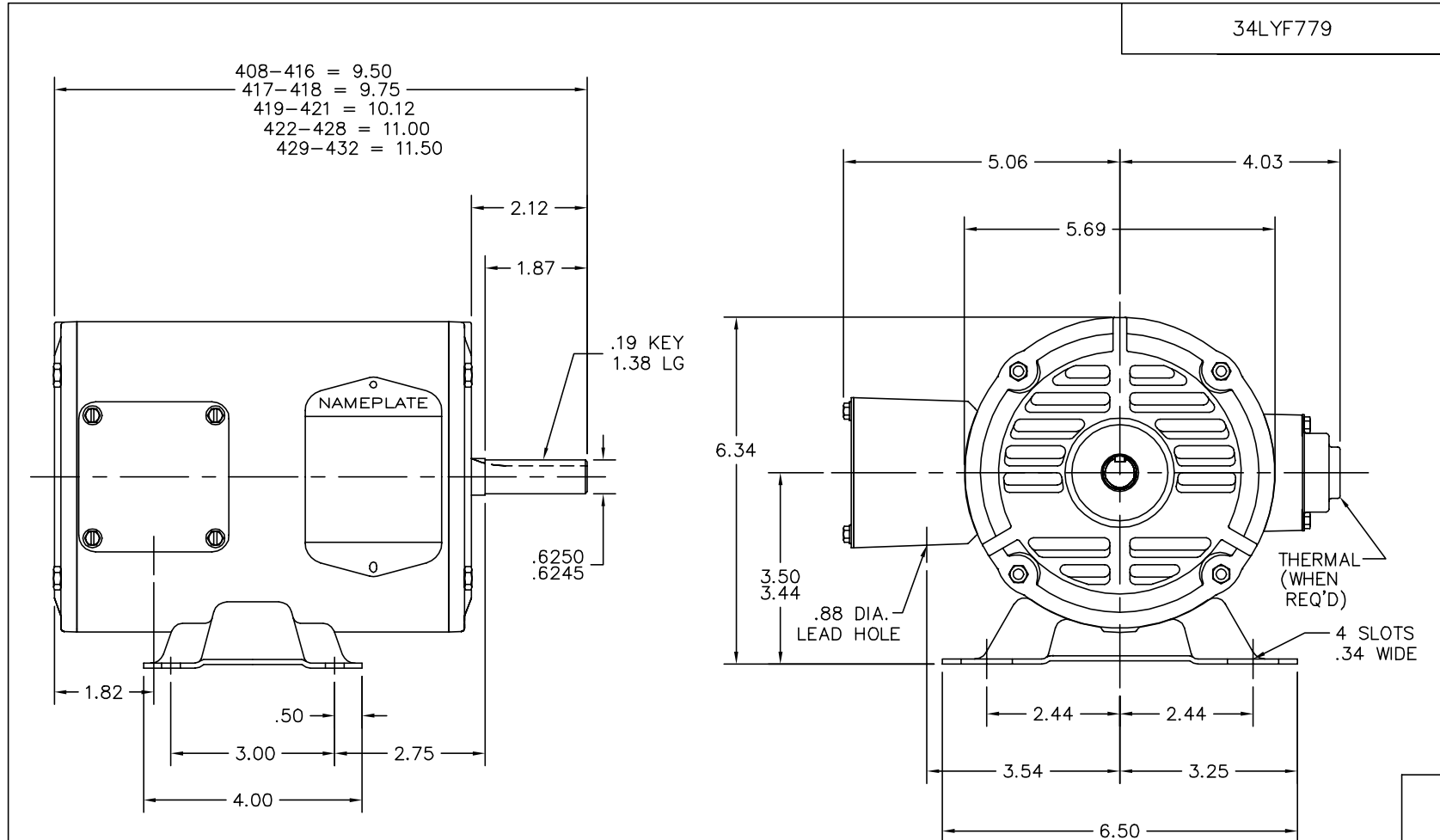
|                                 |                                |                             |           |
|---------------------------------|--------------------------------|-----------------------------|-----------|
| <b>Full Load Torque:</b>        | 1.15 LB-FT                     | <b>Start Configuration:</b> | DOL       |
| <b>No-Load Current:</b>         | 0.57 Amps                      | <b>Break-Down Torque:</b>   | 3.8 LB-FT |
| <b>Line-line Res. @ 25°C.:</b>  | 80.7 Ohms A Ph / 0.0 Ohms B Ph | <b>Pull-Up Torque:</b>      | 2.9 LB-FT |
| <b>Temp. Rise @ Rated Load:</b> | 37 C                           | <b>Locked-Rotor Torque:</b> | 3.0 LB-FT |
| <b>Temp. Rise @ S.F. Load:</b>  | 48 C                           | <b>Starting Current:</b>    | 2.5 Amps  |

**Load Characteristics**

| <b>% of Rated Load</b> | <b>25</b> | <b>50</b> | <b>75</b> | <b>100</b> | <b>125</b> | <b>150</b> | <b>S.F.</b> |
|------------------------|-----------|-----------|-----------|------------|------------|------------|-------------|
| <b>Power Factor:</b>   | 24.0      | 34.0      | 43.0      | 51.0       | 58.0       | 61.0       | 61.0        |
| <b>Efficiency:</b>     | 44.0      | 57.0      | 64.0      | 67.4       | 68.0       | 67.7       | 68.2        |
| <b>Speed:</b>          | 1184.0    | 1171.0    | 1157.0    | 1139.0     | 1122.0     | 1109.0     | 1115.0      |
| <b>Line Amperes:</b>   | 0.57      | 0.6       | 0.63      | 0.68       | 0.73       | 0.78       | 0.75        |

Performance Graph at 460V, 60Hz, 0.25HP Typical performance - Not guaranteed values





34LYF779

34LYF779

CUSTOMER IS RESPONSIBLE FOR DETERMINING THAT BALDOR'S PRODUCT WILL PERFORM SUITABLY IN THE INTENDED APPLICATION.

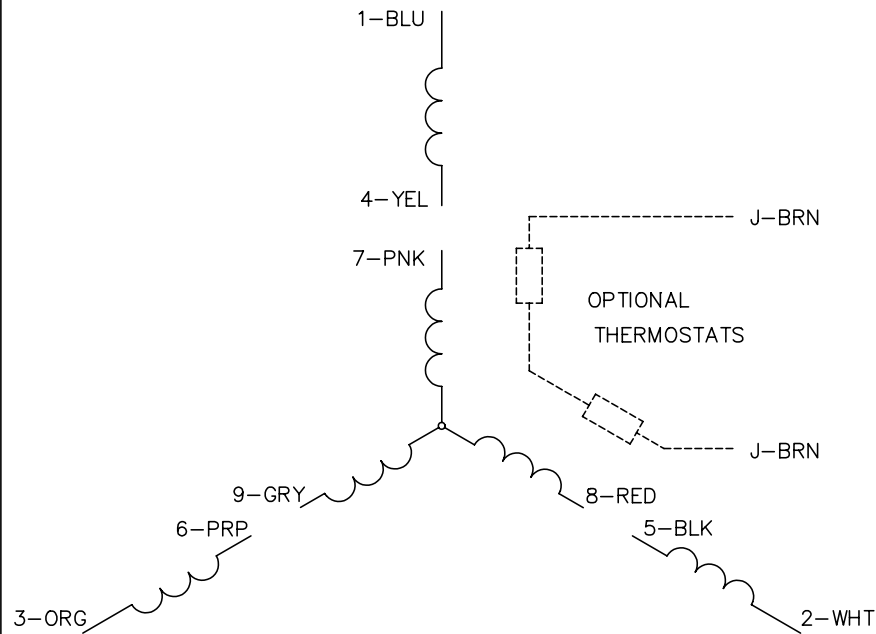
|                      |             |                              |
|----------------------|-------------|------------------------------|
| REV. DESC: NO CHANGE |             |                              |
| REV. LTR: B          | VERSION: 02 | TDR: 000000707115            |
| FILE: \AAA\00181\763 |             | REVISED: 06:51:58 08/24/2011 |
| MTL: -               |             | BY: ENDOUSO                  |

**BALDOR**

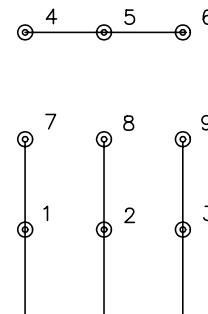
HORZ MODEL 34M NEMA 56 OPEN, SPL SHOVE

SH 1 of 1

CD0005

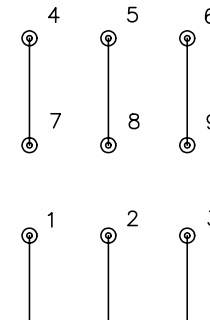


LOW VOLTAGE  
(2Y)



LINE

HIGH VOLTAGE  
(1Y)



LINE

NOTES:

1. INTERCHANGE ANY TWO LINE LEADS TO REVERSE ROTATION.
2. OPTIONAL THERMOSTATS ARE PROVIDED WHEN SPECIFIED.
3. ACTUAL NUMBER OF INTERNAL PARALLEL CIRCUITS MAY BE A MULTIPLE OF THOSE SHOWN ABOVE.
4. LEAD COLORS ARE OPTIONAL. LEADS MUST ALWAYS BE NUMBERED AS SHOWN.

|   |         |                         |              |
|---|---------|-------------------------|--------------|
| REV. DESC: REVISE TO SHOW OPTIONAL COLORS |         |                         |              |
| REV. LTR: E                               | BY: JLP | REVISED: 01/19/99 10:15 | TDR: 0171435 |
| 900000                                    |         | FILE: AAA00005140       | MDL: -       |
|   |         | MTL: -                  |              |

**BALDOR ELECTRIC Co.**

3PH, DV, 9 LEADS

CD0005