

BALDOR® • RELIANCE

Product Information Packet

ELECTRIC MOTOR WHOLESAL.COM

M3115

1HP,3450RPM,3PH,60HZ,56,3416M,OPEN,F1,N

Part Detail							
Revision:	A	Status:	PRD/A	Change #:		Proprietary:	No
Type:	AC	Prod. Type:	3416M	Elec. Spec:	34WG0282	CD Diagram:	
Enclosure:	OPEN	Mfg Plant:		Mech. Spec:	34F779	Layout:	
Frame:	56	Mounting:	F1	Poles:	02	Created Date:	08-10-2011
Base:	RG	Rotation:	R	Insulation:	B	Eff. Date:	08-30-2011
Leads:	9#18	Literature:		Elec. Diagram:		Replaced By:	

Nameplate NP1256L

CAT.NO.	M3115						
SPEC.	34F779-0282						
HP	1						
VOLTS	230/460						
AMP	3.6/1.8						
RPM	3450						
FRAME	56	HZ	60	PH	3		
SER.F.	1.25	CODE	H	DES	B	CLASS	B
NEMA-NOM-EFF	75.5	PF	71				
RATING	40C AMB-CONT						
CC		USABLE AT 208V	4.1				
DE	6203	ODE	6203				
ENCL	OPEN	SN					
	SFA 4/2						

Parts List		
Part Number	Description	Quantity
SA229127	SA 34F779-0282	1.000 EA
RA216178	RA 34F779-0282	1.000 EA
NS2512A01	INSULATOR, CONDUIT BOX X	1.000 EA
34CB3002A	CB CAST W/.88 DIA HOLE	1.000 EA
51XB1016A07	10-16 X 7/16 HXWSSLD SERTYB	2.000 EA
11XW1032G06	10-32 X .38, TAPTITE II, HEX WSHR SLTD U	1.000 EA
34EP3210A01SP	FR ENDPLATE, MACH	1.000 EA
HW5100A03SP	WAVY WASHER (W1543-017)	1.000 EA
34EP3212A24	PU ENDPLATE, MODEL 34 OPEN	1.000 EA
XY1032A02	10-32 HEX NUT DIRECTIONAL SERRATION	4.000 EA
34CB4517	CB LID 4 MTG HOLES .22 DIA STAMPED, FOR	1.000 EA
51XW0832A07	8-32 X .44, TAPTITE II, HEX WSHR SLTD SE	4.000 EA
HW2501D13SP	KEY, 3/16 SQ X 1.375	1.000 EA
HA7000A04	KEY RETAINER 0.625 DIA SHAFTS	1.000 EA
MG1000G27	PAINT- S9282E CHARCOAL GREY 55 GALLONS	0.014 GA
10XF0440S02	04-40 X 1/8 TYPE F HEX HD STAINLESS STIC	2.000 EA
HA3100A12	THRUBOLT 10-32 X 7.375	4.000 EA
LB1125C01	STD (STOCK) CARTON LABEL BALDOR WITH FLA	1.000 EA
LC0005E01	CONN.DIA./WARNING LABEL (LC0005/LB1119)	1.000 EA
NP1256L	ALUM, UL CSA CC, W/O THERMAL, LASER	1.000 EA
34PA1002	PACKING GROUP, BALDOR	1.000 EA

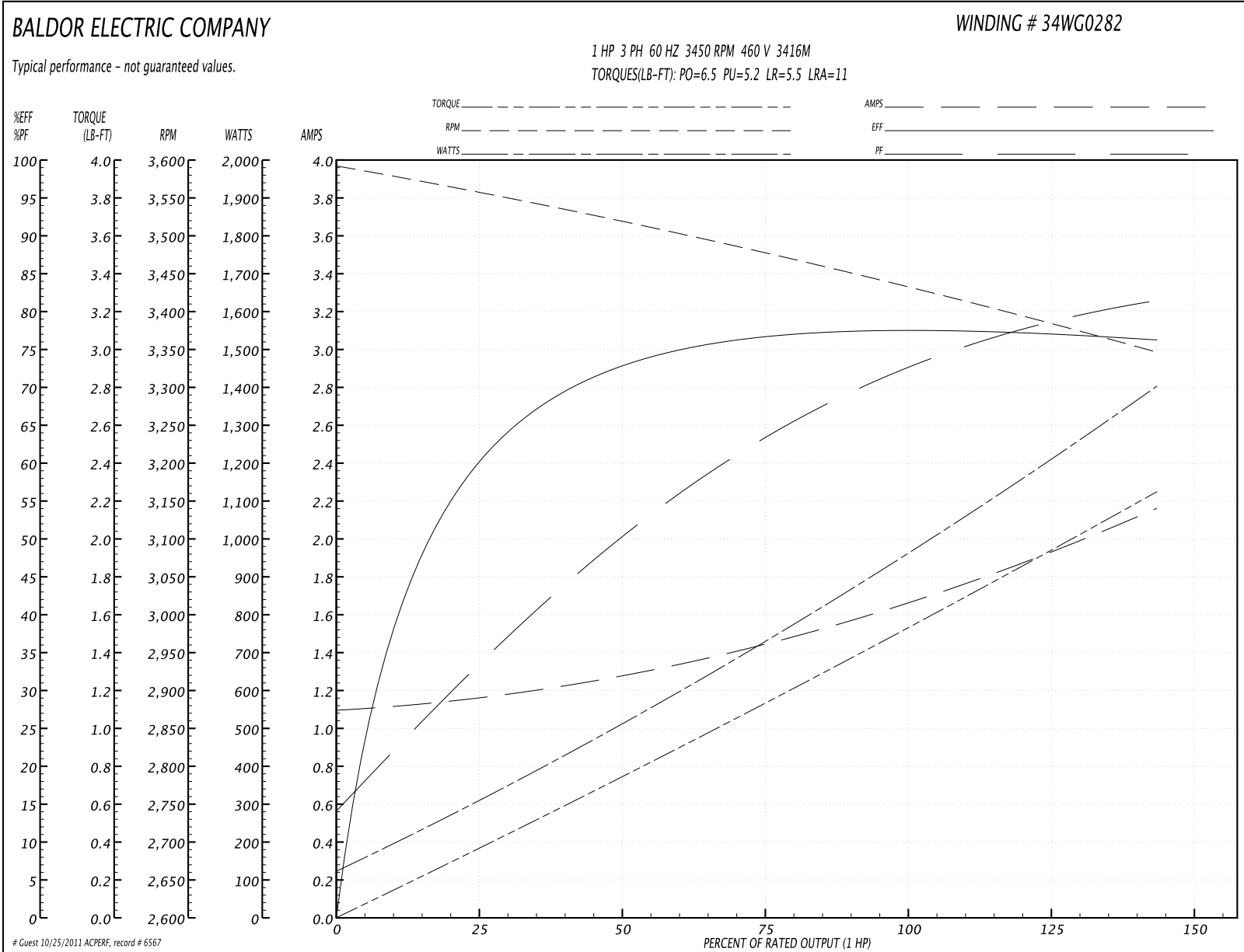
Performance Data at 460V, 60Hz, 1.0HP (Typical performance - Not guaranteed values)
General Characteristics

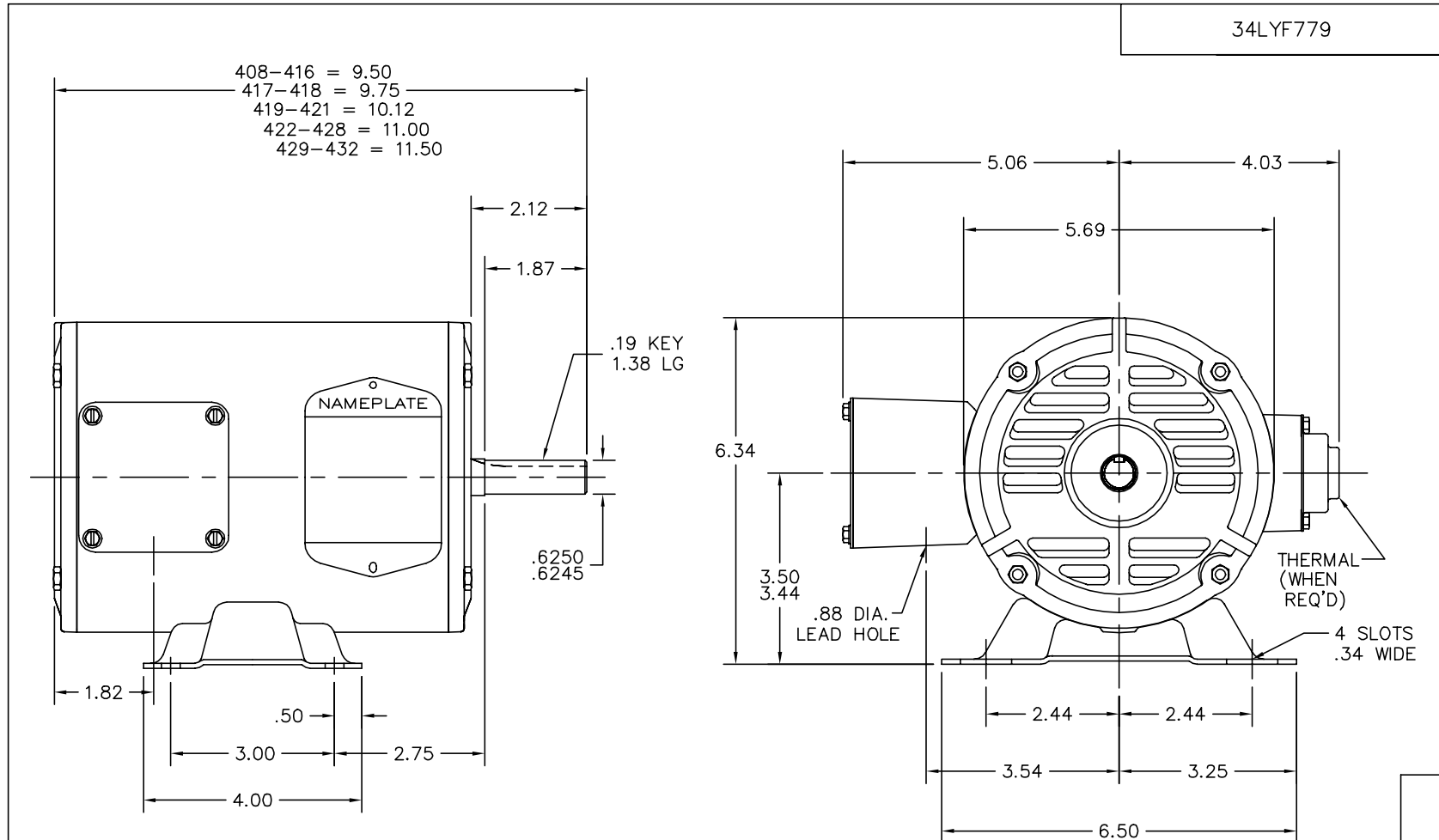
Full Load Torque:	1.5 LB-FT	Start Configuration:	DOL
No-Load Current:	1.1 Amps	Break-Down Torque:	6.5 LB-FT
Line-line Res. @ 25°C.:	16.7 Ohms A Ph / 0.0 Ohms B Ph	Pull-Up Torque:	5.2 LB-FT
Temp. Rise @ Rated Load:	34 C	Locked-Rotor Torque:	5.5 LB-FT
Temp. Rise @ S.F. Load:	47 C	Starting Current:	11.0 Amps

Load Characteristics

% of Rated Load	25	50	75	100	125	150	S.F.
Power Factor:	37.0	53.0	68.0	76.0	77.0	76.0	77.0
Efficiency:	61.2	72.1	76.8	77.7	77.2	76.2	77.2
Speed:	3558.0	3524.0	3476.0	3434.0	3390.0	3349.0	3390.0
Line Amperes:	1.17	1.25	1.45	1.65	1.9	2.15	1.9

Performance Graph at 460V, 60Hz, 1.0HP Typical performance - Not guaranteed values





CUSTOMER IS RESPONSIBLE FOR DETERMINING THAT BALDOR'S PRODUCT WILL PERFORM SUITABLY IN THE INTENDED APPLICATION.

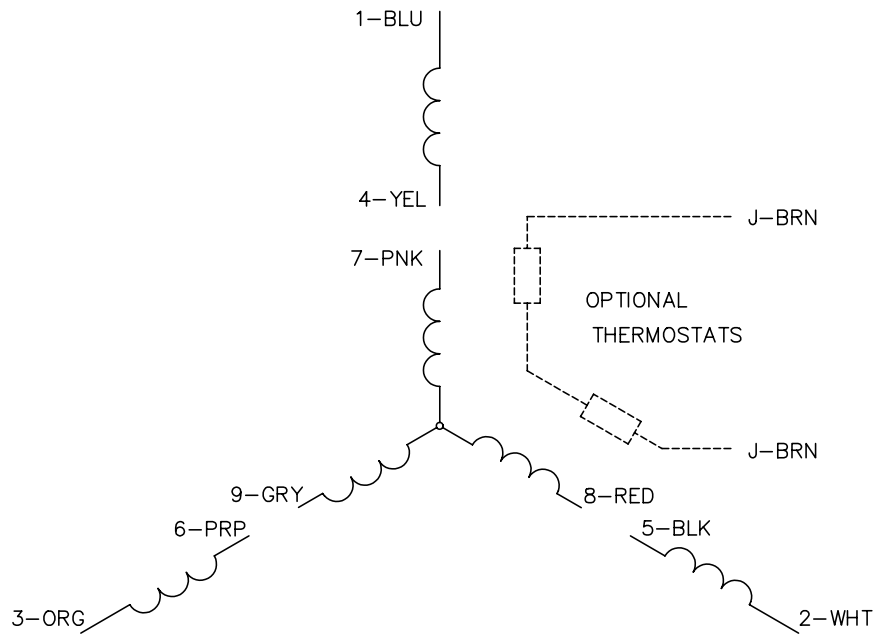
REV. DESC: NO CHANGE		
REV. LTR: B	VERSION: 02	TDR: 000000707115
FILE: \AAA\00181\763		REVISED: 06:51:58 08/24/2011
MTL: -		BY: ENDOUSO

BALDOR

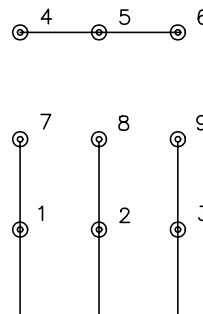
HORZ MODEL 34M NEMA 56 OPEN, SPL SHOVE
 SH 1 of 1

34LYF779

CD0005

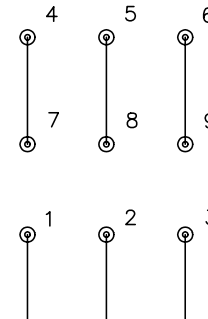


LOW VOLTAGE
(2Y)



LINE

HIGH VOLTAGE
(1Y)



LINE

NOTES:

1. INTERCHANGE ANY TWO LINE LEADS TO REVERSE ROTATION.
2. OPTIONAL THERMOSTATS ARE PROVIDED WHEN SPECIFIED.
3. ACTUAL NUMBER OF INTERNAL PARALLEL CIRCUITS MAY BE A MULTIPLE OF THOSE SHOWN ABOVE.
4. LEAD COLORS ARE OPTIONAL. LEADS MUST ALWAYS BE NUMBERED AS SHOWN.

REV. DESC: REVISE TO SHOW OPTIONAL COLORS			
REV. LTR: E	BY: JLP	REVISED: 01/19/99 10:15	TDR: 0171435
90000		FILE: AAA00005140	MDL: -
		MTL: -	

BALDOR ELECTRIC Co.

3PH, DV, 9 LEADS

CD0005