

BALDOR® • RELIANCE

Product Information Packet

ELECTRIC MOTOR WHOLESAL.COM

M3155

2HP,3450RPM,3PH,60HZ,56,3428M,OPEN,F1,N

Part Detail							
Revision:	A	Status:	PRD/A	Change #:		Proprietary:	No
Type:	AC	Prod. Type:	3428M	Elec. Spec:	34WG0284	CD Diagram:	
Enclosure:	OPEN	Mfg Plant:		Mech. Spec:	34F779	Layout:	
Frame:	56	Mounting:	F1	Poles:	02	Created Date:	08-10-2011
Base:	RG	Rotation:	R	Insulation:	B	Eff. Date:	08-30-2011
Leads:	9#18	Literature:		Elec. Diagram:		Replaced By:	

Nameplate NP1256L							
CAT.NO.	M3155						
SPEC.	34F779-0284						
HP	2						
VOLTS	208-230/460						
AMP	6.2-5.8/2.9						
RPM	3450						
FRAME	56	HZ	60	PH	3		
SER.F.	1.15	CODE	H	DES	B	CLASS	B
NEMA-NOM-EFF	80	PF	80				
RATING	40C AMB-CONT						
CC		USABLE AT 208V	6.2				
DE	6203	ODE	6203				
ENCL	OPEN	SN					
	SFA 6.8-6.4/3.2						

Parts List		
Part Number	Description	Quantity
SA229001	SA 34F779-0284	1.000 EA
RA216053	RA 34F779-0284	1.000 EA
NS2512A01	INSULATOR, CONDUIT BOX X	1.000 EA
34CB3002A	CB CAST W/.88 DIA HOLE	1.000 EA
51XB1016A07	10-16 X 7/16 HXWSSLD SERTYB	2.000 EA
11XW1032G06	10-32 X .38, TAPTITE II, HEX WSHR SLTD U	1.000 EA
34EP3210A01SP	FR ENDPLATE, MACH	1.000 EA
HW5100A03SP	WAVY WASHER (W1543-017)	1.000 EA
34EP3212A24	PU ENDPLATE, MODEL 34 OPEN	1.000 EA
XY1032A02	10-32 HEX NUT DIRECTIONAL SERRATION	4.000 EA
34CB4517	CB LID 4 MTG HOLES .22 DIA STAMPED, FOR	1.000 EA
51XW0832A07	8-32 X .44, TAPTITE II, HEX WSHR SLTD SE	4.000 EA
HW2501D13SP	KEY, 3/16 SQ X 1.375	1.000 EA
HA7000A04	KEY RETAINER 0.625 DIA SHAFTS	1.000 EA
MG1000G27	PAINT- S9282E CHARCOAL GREY 55 GALLONS	0.014 GA
10XF0440S02	04-40 X 1/8 TYPE F HEX HD STAINLESS STIC	2.000 EA
HA3100A45	THRUBOLT 10-32 X 8.875	4.000 EA
LB5040	INSTRUCTION TAG, AC & DC	1.000 EA
LB1125C01	STD (STOCK) CARTON LABEL BALDOR WITH FLA	1.000 EA
LC0005E01	CONN.DIA./WARNING LABEL (LC0005/LB1119)	1.000 EA
NP1256L	ALUM, UL CSA CC, W/O THERMAL, LASER	1.000 EA
34PA1002	PACKING GROUP, BALDOR	1.000 EA

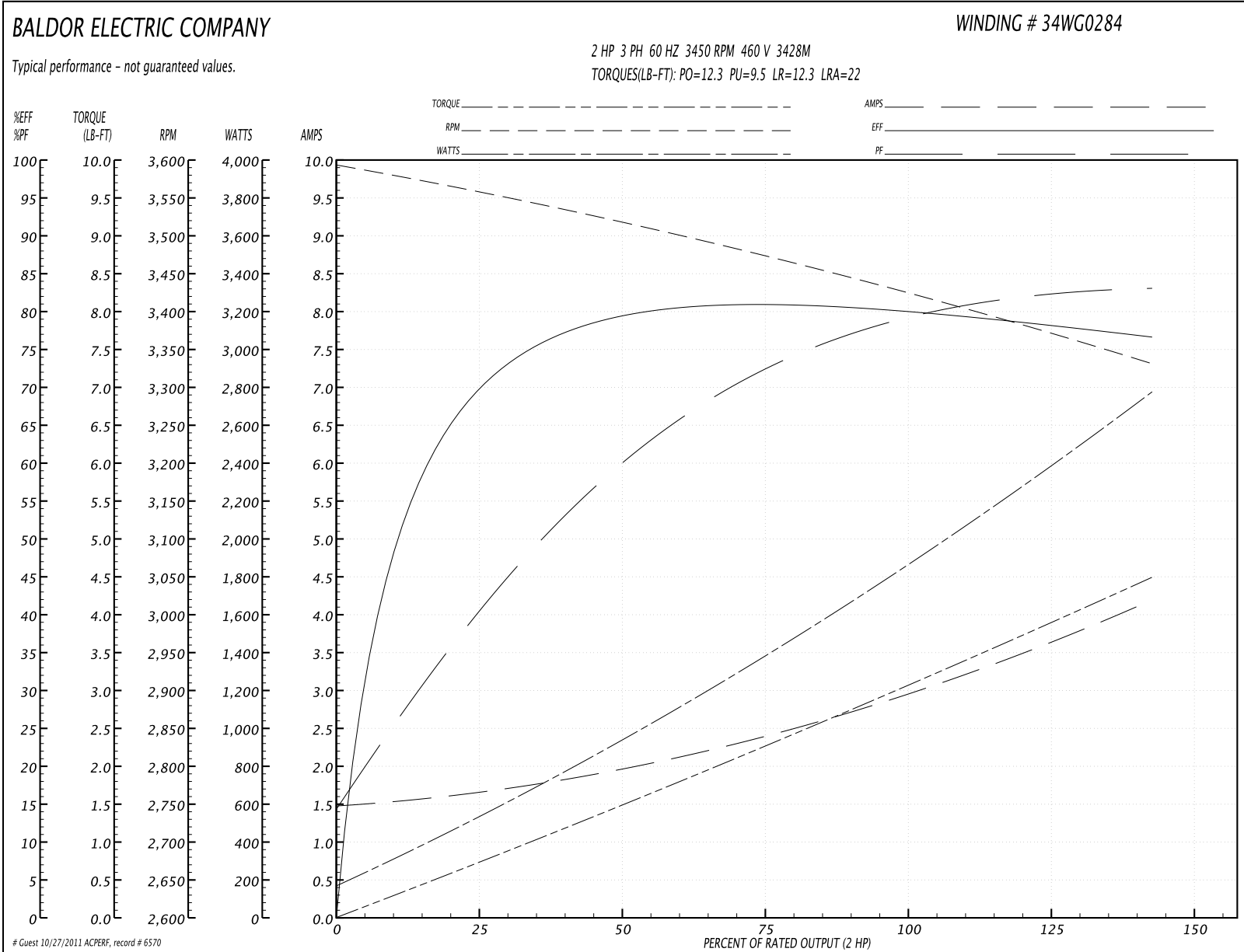
Performance Data at 460V, 60Hz, 2.0HP (Typical performance - Not guaranteed values)
General Characteristics

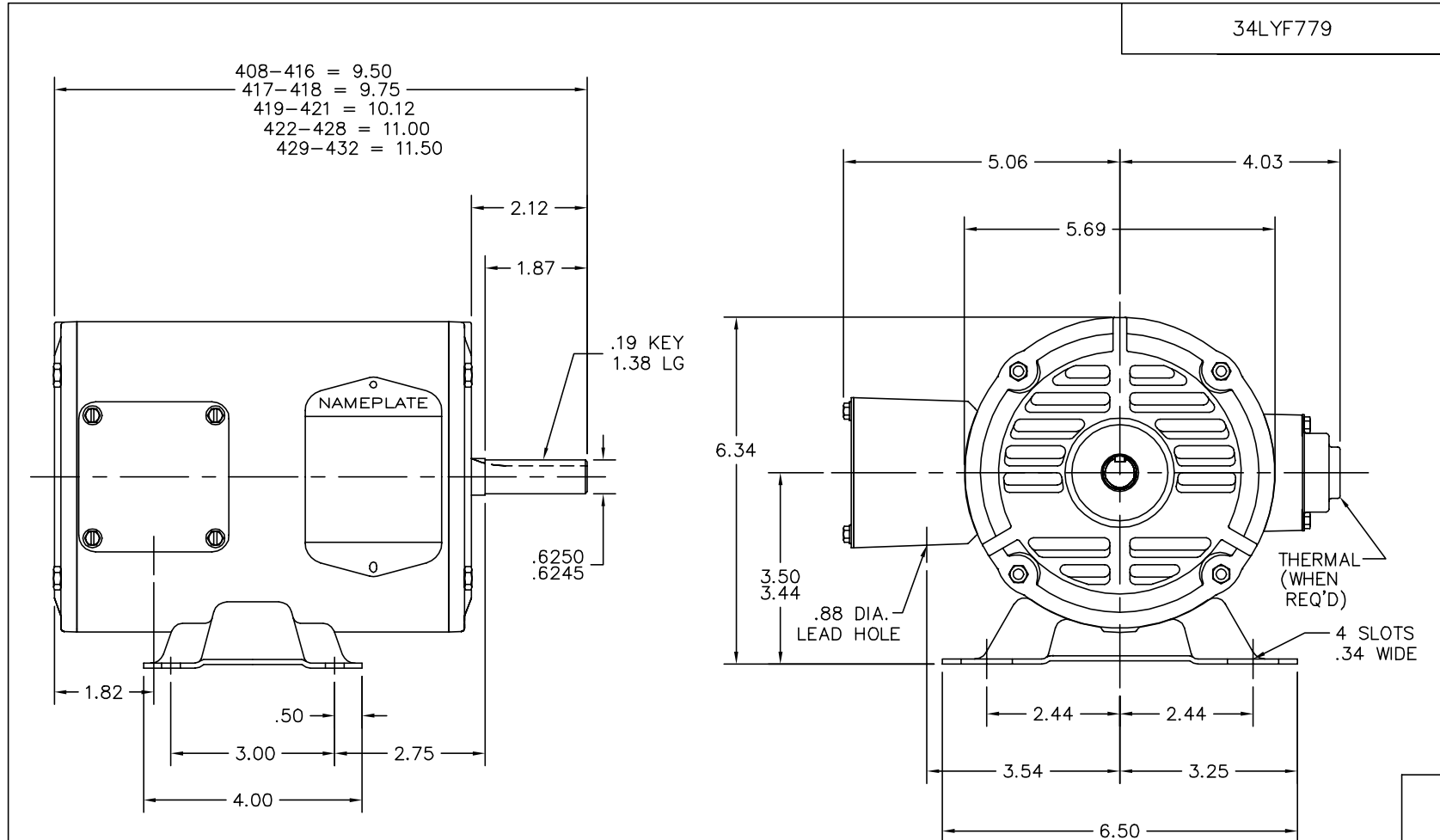
Full Load Torque:	3.0 LB-FT	Start Configuration:	DOL
No-Load Current:	1.5 Amps	Break-Down Torque:	12.3 LB-FT
Line-line Res. @ 25°C.:	7.89 Ohms A Ph / 0.0 Ohms B Ph	Pull-Up Torque:	9.5 LB-FT
Temp. Rise @ Rated Load:	44 C	Locked-Rotor Torque:	12.3 LB-FT
Temp. Rise @ S.F. Load:	53 C	Starting Current:	22.0 Amps

Load Characteristics

% of Rated Load	25	50	75	100	125	150	S.F.
Power Factor:	45.0	66.0	75.0	80.0	83.0	85.0	82.0
Efficiency:	70.0	79.3	80.7	80.3	78.7	76.5	79.3
Speed:	3557.0	3514.0	3474.0	3433.0	3382.0	3329.0	3402.0
Line Amperes:	1.6	2.0	2.4	2.9	3.5	4.2	3.26

Performance Graph at 460V, 60Hz, 2.0HP Typical performance - Not guaranteed values





CUSTOMER IS RESPONSIBLE FOR DETERMINING THAT BALDOR'S PRODUCT WILL PERFORM SUITABLY IN THE INTENDED APPLICATION.

REV. DESC: NO CHANGE		
REV. LTR: B	VERSION: 02	TDR: 000000707115
FILE: \AAA\00181\763		REVISED: 06:51:58 08/24/2011
MTL: -		BY: ENDOUSO

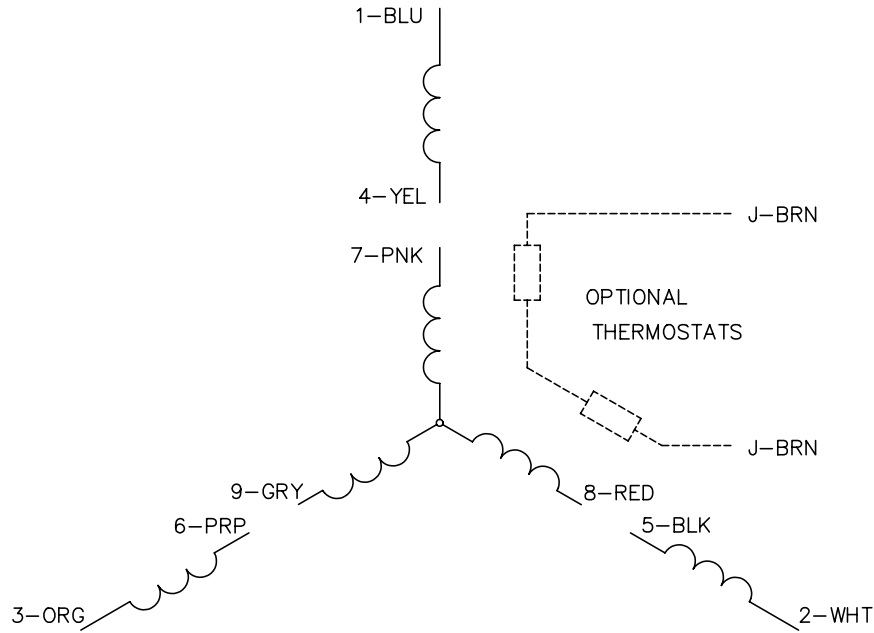
BALDOR

HORZ MODEL 34M NEMA 56 OPEN, SPL SHOVE

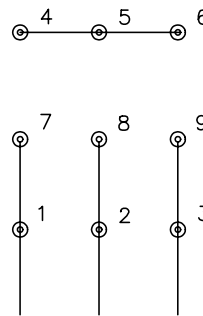
SH 1 of 1

34LYF779

CD0005

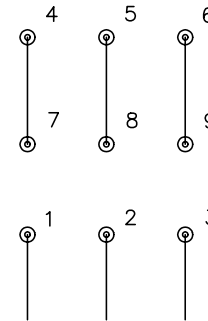


LOW VOLTAGE
(2Y)



LINE

HIGH VOLTAGE
(1Y)



LINE

NOTES:

1. INTERCHANGE ANY TWO LINE LEADS TO REVERSE ROTATION.
2. OPTIONAL THERMOSTATS ARE PROVIDED WHEN SPECIFIED.
3. ACTUAL NUMBER OF INTERNAL PARALLEL CIRCUITS MAY BE A MULTIPLE OF THOSE SHOWN ABOVE.
4. LEAD COLORS ARE OPTIONAL. LEADS MUST ALWAYS BE NUMBERED AS SHOWN.

REV. DESC: REVISE TO SHOW OPTIONAL COLORS

REV. LTR: E BY: JLP

REVISED: 01/19/99 10:15

TDR: 0171435

900003

FILE: AAA00005140

MDL: -

MTL: -

BALDOR ELECTRIC Co.

3PH, DV, 9 LEADS

CD0005