

BALDOR® • RELIANCE

Product Information Packet

ELECTRIC MOTOR WHOLESAL.COM

M3157T-8

2HP,1755RPM,3PH,60HZ,145T,3523M,OPSB,F1

Part Detail							
Revision:	A	Status:	PRD/A	Change #:		Proprietary:	No
Type:	AC	Prod. Type:	3523M	Elec. Spec:	35WGM637	CD Diagram:	
Enclosure:	OPSB	Mfg Plant:		Mech. Spec:	35B101	Layout:	
Frame:	145T	Mounting:	F1	Poles:	04	Created Date:	05-20-2010
Base:	RG	Rotation:	R	Insulation:	B	Eff. Date:	03-15-2011
Leads:	3#16	Literature:		Elec. Diagram:		Replaced By:	

Nameplate NP1256L									
CAT.NO.	M3157T-8								
SPEC.	35B101M637H1								
HP	2								
VOLTS	200								
AMP	7.3								
RPM	1755								
FRAME	145T	HZ			60	PH	3		
SER.F.	1.15	CODE			L	DES	B	CLASS	B
NEMA-NOM-EFF	84	PF			71				
RATING	40C AMB-CONT								
CC	010A	USABLE AT 208V							
DE	6205	ODE			6203				
ENCL	OPSB	SN							

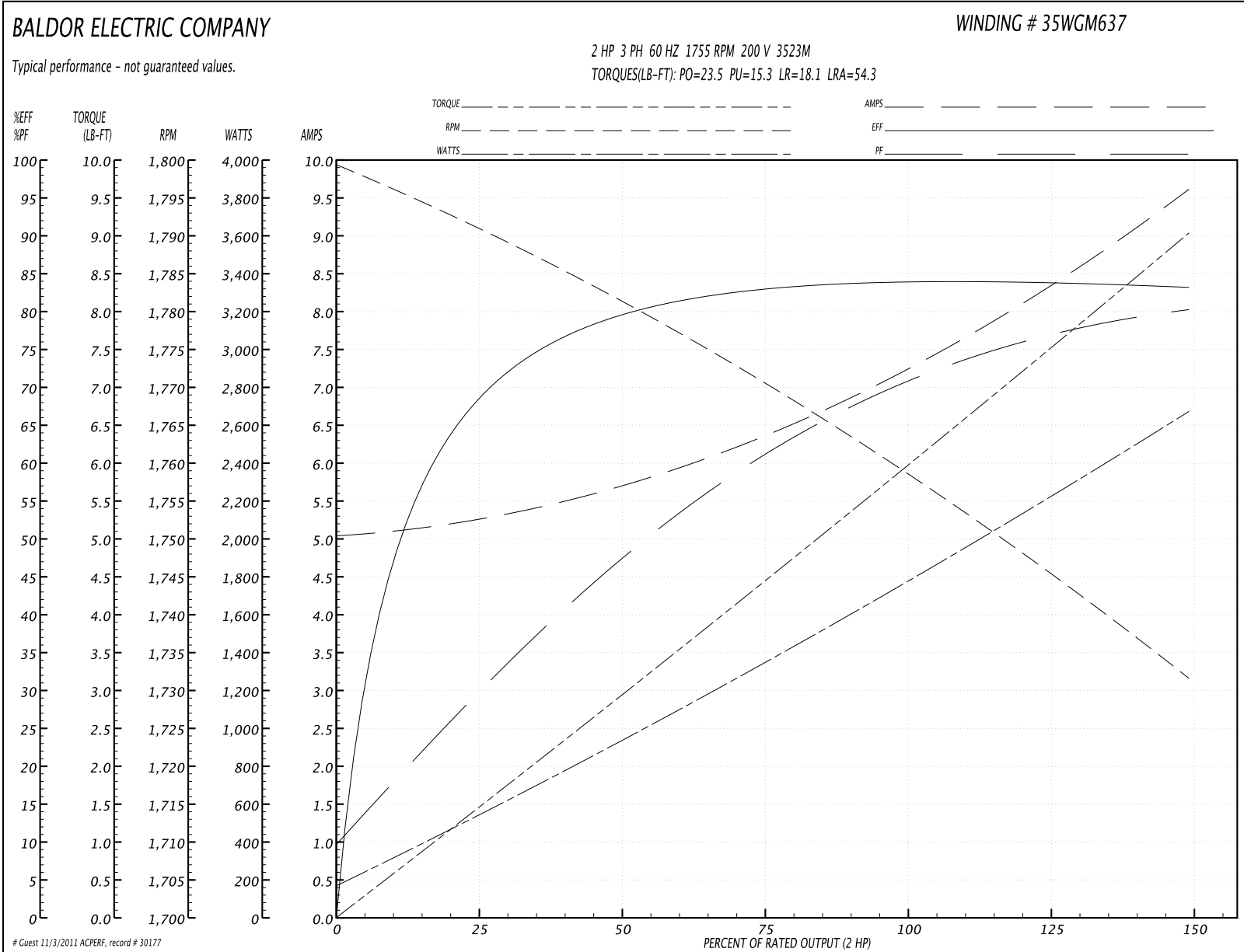
Parts List		
Part Number	Description	Quantity
SA196918	SA 35B101M637H1	1.000 EA
RA184359	RA 35B101M637H1	1.000 EA
S/P101-000-000	EPACT PROCEDURES-FS PLANT-POLYREX EM, NO	1.000 EA
NS2512A01	INSULATOR, CONDUIT BOX X	1.000 EA
35CB3007	35 CB CASTING W/.88 DIA. LEAD HOLE	1.000 EA
51XB1016A07	10-16 X 7/16 HXWSSLD SERTYB	2.000 EA
11XW1032G06	10-32 X .38, TAPTITE II, HEX WSHR SLTD U	1.000 EA
35EP3201A01	STD FR ENDPLATE-OPEN-203 BRG W/GREASER	1.000 EA
HW4500A01	1641B(ALEMITE)400 UNIV, GREASE FITT	1.000 EA
HW5100A03SP	WAVY WASHER (W1543-017)	1.000 EA
35EP3200A01	STD PU ENDPLATE-OPEN-205 BRG W/GREASER	1.000 EA
HW4500A01	1641B(ALEMITE)400 UNIV, GREASE FITT	1.000 EA
XY1032A02	10-32 HEX NUT DIRECTIONAL SERRATION	4.000 EA
35CB4521	35 LIPPED CB LID (GALV & PHOSPH)	1.000 EA
51XW0832A07	8-32 X .44, TAPTITE II, HEX WSHR SLTD SE	4.000 EA
HW2501D13SP	KEY, 3/16 SQ X 1.375	1.000 EA
HA7000A01	KEY RETAINER 7/8" DIA SHAFT	1.000 EA
85XU0407S04	4X1/4 U DRIVE PIN STAINLESS	2.000 EA
MJ1000A75	GREASE, POLYREX EM EXXON	0.050 LB
MG1000G27	PAINT- S9282E CHARCOAL GREY	0.017 GA
35AD2005A01	BAFFLE PLATE,MOD 35-SLTD BAND MTRS TDR	2.000 EA
HA3100A45	THRUBOLT 10-32 X 8.875	4.000 EA
LB1119	WARNING LABEL	1.000 EA
LB1125C04	STD-E (STOCK CTN LABEL STD-E WITH FLAG)	1.000 EA

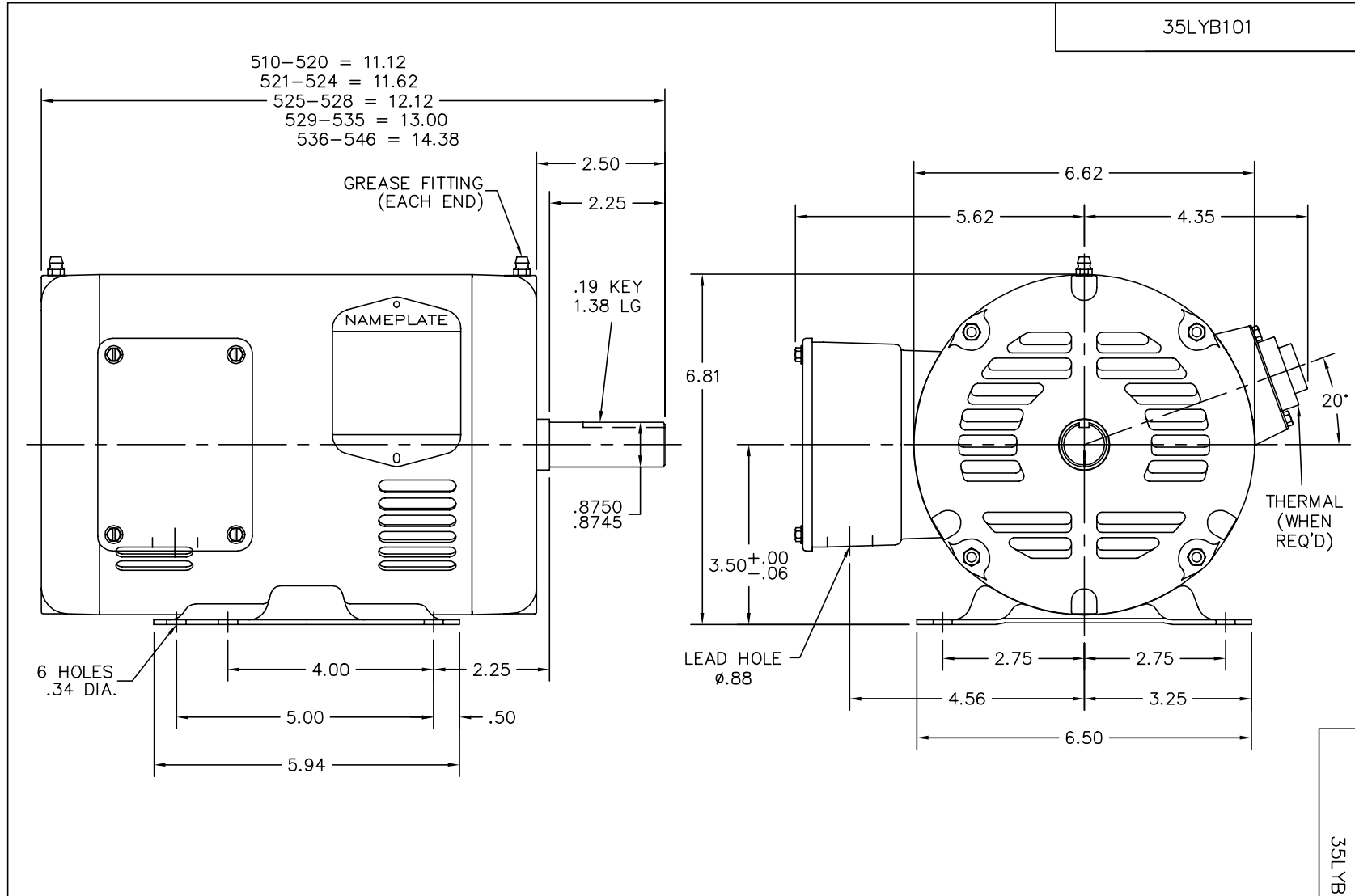
Parts List (continued)		
Part Number	Description	Quantity
LC0006	CONNECTION LABEL	1.000 EA
NP1256L	ALUM, UL CSA CC, W/O THERMAL, LASER	1.000 EA
PA1000	PACKING GROUP 3500 SHORT	1.000 EA

Accessories		
Part Number	Description	Multiplier
35-8764	C FACE KIT	A8
35EP1604A01SP	D-FLANGE KIT	A8

Performance Data at 200V, 60Hz, 2.0HP (Typical performance - Not guaranteed values)							
General Characteristics							
Full Load Torque:	5.95 LB-FT			Start Configuration:	DOL		
No-Load Current:	5.08 Amps			Break-Down Torque:	23.5 LB-FT		
Line-line Res. @ 25°C.:	1.63 Ohms A Ph / 0.0 Ohms B Ph			Pull-Up Torque:	15.3 LB-FT		
Temp. Rise @ Rated Load:	49 C			Locked-Rotor Torque:	18.1 LB-FT		
Temp. Rise @ S.F. Load:	57 C			Starting Current:	54.3 Amps		
Load Characteristics							
% of Rated Load	25	50	75	100	125	150	S.F.
Power Factor:	30.0	47.0	61.0	71.0	77.0	81.0	74.0
Efficiency:	67.7	79.2	83.0	84.1	83.8	83.1	83.9
Speed:	1792.0	1781.0	1771.0	1759.0	1745.0	1732.0	1751.0
Line Amperes:	5.21	5.66	6.34	7.28	8.34	9.58	7.92

Performance Graph at 200V, 60Hz, 2.0HP Typical performance - Not guaranteed values





CUSTOMER IS RESPONSIBLE FOR DETERMINING THAT BALDOR'S PRODUCT WILL PERFORM SUITABLY IN THE INTENDED APPLICATION.

REV. DESC: UPDATE KOLD GRAPHICS

REV. LTR: F

VERSION: 03

TDR: 000000486011

FILE: \AAA\00010\461

REVISED: 15:07:04 12/30/2008

MTL: -

BY: ENCEBO

BALDOR • DODGE • RELIANCE

STD HORZ 143-5T OPSB 35M

SH 1 of 1

35LYB101

CD0006



NOTES:

1. THREE LEAD MOTOR MAY BE EITHER WYE CONNECTED OR DELTA CONNECTED.
2. INTERCHANGE ANY TWO LINE LEADS TO REVERSE ROTATION.
3. OPTIONAL THERMOSTATS ARE PROVIDED WHEN SPECIFIED.
4. ACTUAL NUMBER OF INTERNAL PARALLEL CIRCUITS MAY VARY.
5. LEAD COLORS ARE OPTIONAL. LEADS MUST BE NUMBERED AS SHOWN.

REV. DESC: REVISE TO SHOW OPTIONAL COLORS			
REV. LTR: D	BY: JLP	REVISED: 01/21/99 4:02	TDR: 0171435
9000D		FILE: AAA00005141	MDL: -
		MTL: -	

BALDOR ELECTRIC Co.

3PH, SV, 3 LEADS, WYE OR DELTA CONNECTED

CD0006