

BALDOR® • RELIANCE

Product Information Packet

ELECTRIC MOTOR WHOLESAL.COM

M3159

1.5HP,1140RPM,3PH,60HZ,56/56H,3528M,OPEN

Part Detail							
Revision:	N	Status:	PRD/A	Change #:		Proprietary:	No
Type:	AC	Prod. Type:	3528M	Elec. Spec:	35WG1273	CD Diagram:	
Enclosure:	OPEN	Mfg Plant:		Mech. Spec:	35J382	Layout:	
Frame:	56/56H	Mounting:	F1	Poles:	06	Created Date:	
Base:	RG	Rotation:	R	Insulation:	B	Eff. Date:	03-15-2011
Leads:	9#18	Literature:		Elec. Diagram:		Replaced By:	

Nameplate NP1256L									
CAT.NO.	M3159								
SPEC.	35J382-1273								
HP	1.5								
VOLTS	230/460								
AMP	5/2.5								
RPM	1140								
FRAME	56/56H	HZ			60	PH	3		
SER.F.	1.15	CODE			F	DES	B	CLASS	B
NEMA-NOM-EFF	75.5	PF			68				
RATING	40C AMB-CONT								
CC				USABLE AT 208V					
DE	6205	ODE			6203				
ENCL	OPEN	SN							

Parts List		
Part Number	Description	Quantity
SA025921	SA 35J382-1273	1.000 EA
RA021971	RA 35J382-1273	1.000 EA
NS2512A01	INSULATOR, CONDUIT BOX X	1.000 EA
35CB3007	35 CB CASTING W/.88 DIA. LEAD HOLE	1.000 EA
51XB1016A07	10-16 X 7/16 HXWSSLD SERTYB	2.000 EA
11XW1032G06	10-32 X .38, TAPTITE II, HEX WSHR SLTD U	1.000 EA
35EP3201A03	STD FR EP OPEN-203BRG-35L OR M FRAME--LE	1.000 EA
HW5100A03SP	WAVY WASHER (W1543-017)	1.000 EA
35EP3200A02	STD PU ENDPLATE-OPEN-205 BRG	1.000 EA
XY1032A02	10-32 HEX NUT DIRECTIONAL SERRATION	4.000 EA
35CB4521	35 LIPPED CB LID (GALV & PHOSPH)	1.000 EA
51XW0832A07	8-32 X .44, TAPTITE II, HEX WSHR SLTD SE	4.000 EA
HW2501D13SP	KEY, 3/16 SQ X 1.375	1.000 EA
HA7000A04	KEY RETAINER 0.625 DIA SHAFTS	1.000 EA
85XU0407S04	4X1/4 U DRIVE PIN STAINLESS	2.000 EA
MJ1000A75	GREASE, POLYREX EM EXXON	0.050 LB
MG1000G27	PAINT- S9282E CHARCOAL GREY 55 GALLONS	0.017 GA
LC0005E01	CONN.DIA./WARNING LABEL (LC0005/LB1119)	1.000 EA
NP1256L	ALUM, UL CSA CC, W/O THERMAL, LASER	1.000 EA
HA3100A18	THRUBOLT 10-32 X 9.250	4.000 EA
LB1125C01	STD (STOCK) CARTON LABEL BALDOR WITH FLA	1.000 EA
PA1000	PACKING GROUP 3500 SHORT	1.000 EA

Accessories		
Part Number	Description	Multiplier
35-8764	C FACE KIT	A8
35EP1604A01SP	D-FLANGE KIT	A8

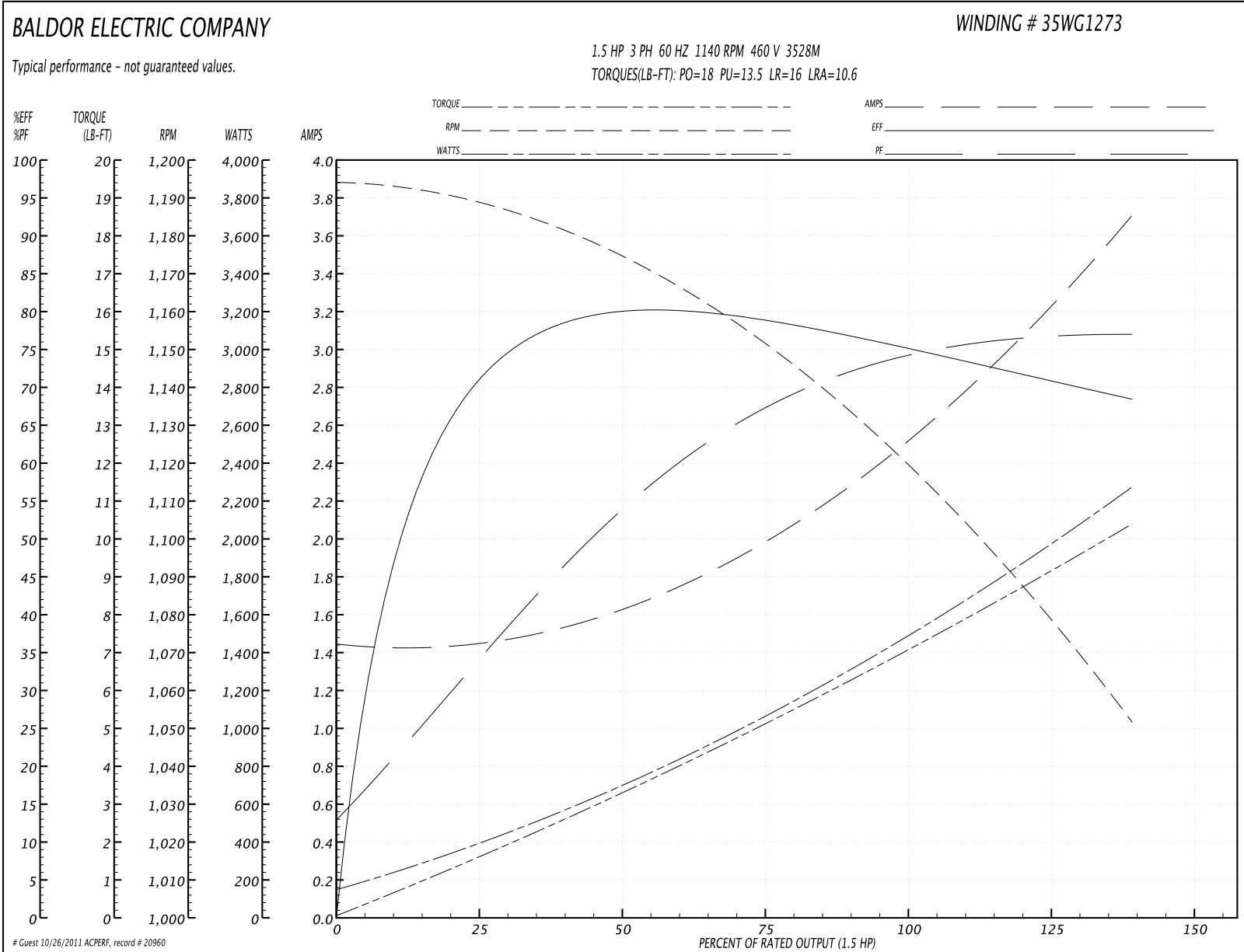
Performance Data at 460V, 60Hz, 1.5HP (Typical performance - Not guaranteed values)
General Characteristics

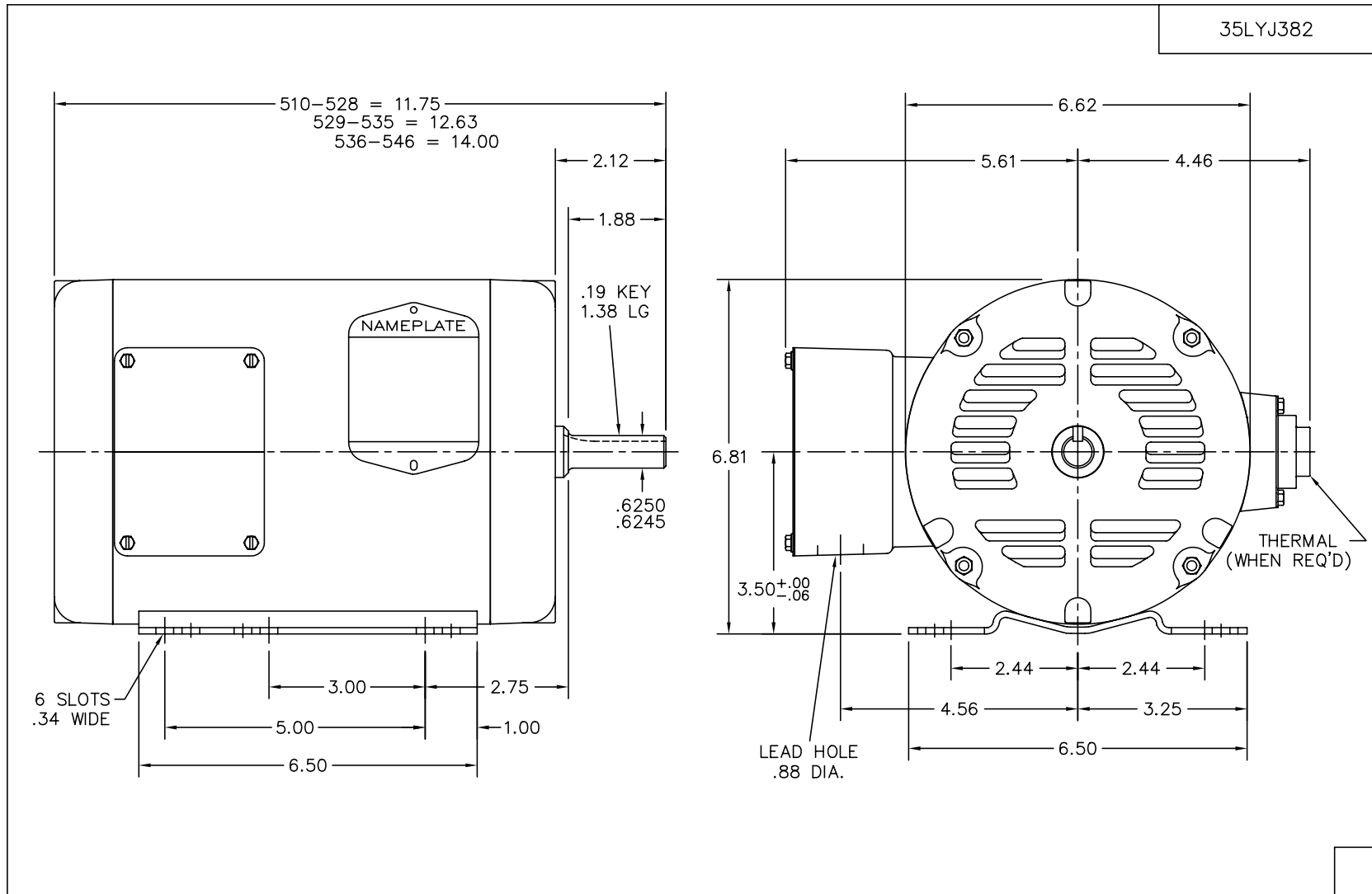
Full Load Torque:	7.0 LB-FT	Start Configuration:	DOL
No-Load Current:	1.4 Amps	Break-Down Torque:	18.0 LB-FT
Line-line Res. @ 25°C.:	16.9 Ohms A Ph / 0.0 Ohms B Ph	Pull-Up Torque:	13.5 LB-FT
Temp. Rise @ Rated Load:		Locked-Rotor Torque:	16.0 LB-FT
Temp. Rise @ S.F. Load:		Starting Current:	10.6 Amps

Load Characteristics

% of Rated Load	25	50	75	100	125	150	S.F.
Power Factor:	34.0	54.0	67.0	75.0	80.0	83.0	0.0
Efficiency:	67.8	77.1	78.4	76.8	73.2	67.1	0.0
Speed:	1185.0	1168.0	1149.0	1125.0	1093.0	1044.0	0.0
Line Amperes:	1.5	1.7	2.0	2.5	3.0	3.8	0.0

Performance Graph at 460V, 60Hz, 1.5HP Typical performance - Not guaranteed values





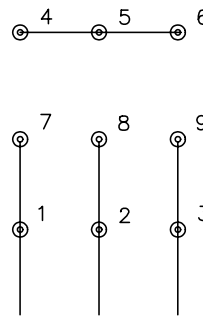
CUST. NAME		CUST. P.O.		CERTIFIED BY		MODEL		INSUL		AMB	
H.P.		MTG		TYPE		R.P.M.		VOLTS		ENCL	
PHASE		FREQ		FRAME		REV. DESC: CHG'D CONDUIT BOX AND LID (SEE EC09)					
REV. LTR: C		BY: JED		REVISED: 04/09/99 11:06		TDR: 0171806					
35LYJ382		FILE: AAA00010396		MDL: -							
MTL: -		<p style="text-align: center;">BALDOR ELECTRIC Co.</p> <p style="text-align: center;">STD HORZ 35M NEMA 56/56H OPEN</p>									

35LYJ382

CD0005

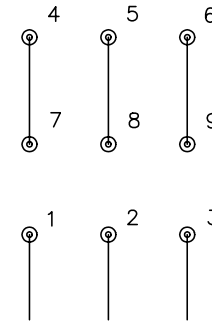


LOW VOLTAGE
(2Y)



LINE

HIGH VOLTAGE
(1Y)



LINE

NOTES:

1. INTERCHANGE ANY TWO LINE LEADS TO REVERSE ROTATION.
2. OPTIONAL THERMOSTATS ARE PROVIDED WHEN SPECIFIED.
3. ACTUAL NUMBER OF INTERNAL PARALLEL CIRCUITS MAY BE A MULTIPLE OF THOSE SHOWN ABOVE.
4. LEAD COLORS ARE OPTIONAL. LEADS MUST ALWAYS BE NUMBERED AS SHOWN.

REV. DESC: REVISE TO SHOW OPTIONAL COLORS			
REV. LTR: E	BY: JLP	REVISED: 01/19/99 10:15	TDR: 0171435
900000		FILE: AAA00005140	MDL: -
		MTL: -	

BALDOR ELECTRIC Co.

3PH, DV, 9 LEADS

CD0005