

# **BALDOR® • RELIANCE**

**Product Information Packet**

**ELECTRIC MOTOR WHOLESAL.COM**

**M3206**

**1.5HP,1760RPM,3PH,60HZ,184,3519M,OPSB,F1**

Part Detail							
Revision:	A	Status:	PRD/A	Change #:		Proprietary:	No
Type:	AC	Prod. Type:	3519M	Elec. Spec:	35WGP800	CD Diagram:	
Enclosure:	OPSB	Mfg Plant:		Mech. Spec:	35N830	Layout:	
Frame:	184	Mounting:	F1	Poles:	04	Created Date:	05-10-2010
Base:	RG	Rotation:	R	Insulation:	B	Eff. Date:	03-11-2011
Leads:	9#18	Literature:		Elec. Diagram:		Replaced By:	

Nameplate NP1256L									
CAT.NO.	M3206								
SPEC.	35N830P800H1								
HP	1.5								
VOLTS	208-230/460								
AMP	5.2-4.8/2.4								
RPM	1760								
FRAME	184	HZ			60	PH	3		
SER.F.	1.15	CODE			L	DES	B	CLASS	B
NEMA-NOM-EFF	84	PF			69				
RATING	40C AMB-CONT								
CC	010A	USABLE AT 208V							
DE	6206	ODE			6203				
ENCL	OPSB	SN							

Parts List		
Part Number	Description	Quantity
SA194644	SA 35N830P800H1	1.000 EA
RA182230	RA 35N830P800H1	1.000 EA
S/P101-000-000	EPACT PROCEDURES-FS PLANT-POLYREX EM, NO	1.000 EA
NS2512A01	INSULATOR, CONDUIT BOX X	1.000 EA
35CB3009	35 CB CASTING W/1.09 DIA. LEAD HOLE @ 6:	1.000 EA
51XB1016A07	10-16 X 7/16 HXWSSLD SERTYB	2.000 EA
11XW1032G06	10-32 X .38, TAPTITE II, HEX WSHR SLTD U	1.000 EA
35EP3201A01	STD FR ENDPLATE-OPEN-203 BRG W/GREASER	1.000 EA
HW4500A01	1641B(ALEMITE)400 UNIV, GREASE FITT	1.000 EA
HW5100A03SP	WAVY WASHER (W1543-017)	1.000 EA
35EP3207A01	PU ENDPLATE, MACH	1.000 EA
HW4500A01	1641B(ALEMITE)400 UNIV, GREASE FITT	1.000 EA
XY1032A02	10-32 HEX NUT DIRECTIONAL SERRATION	4.000 EA
35CB4521	35 LIPPED CB LID (GALV & PHOSPH)	1.000 EA
51XW0832A07	8-32 X .44, TAPTITE II, HEX WSHR SLTD SE	4.000 EA
HW2501D13SP	KEY, 3/16 SQ X 1.375	1.000 EA
HA7000A01	KEY RETAINER 7/8" DIA SHAFT	1.000 EA
10XF0440S02	04-40 X 1/8 TYPE F HEX HD STAINLESS STIC	2.000 EA
MJ1000A75	GREASE, POLYREX EM EXXON	0.050 LB
MG1000G27	PAINT- S9282E CHARCOAL GREY 55 GALLONS	0.017 GA
HA3100A20	THRUBOLT 10-32 X 9.812	4.000 EA
35AD2005B01	BAFFLE PLATE,MOD 35-SLTD BAND MTR TDR	2.000 EA
LC0005E01	CONN.DIA./WARNING LABEL (LC0005/LB1119)	1.000 EA
LB1125C04	STD-E (STOCK CTN LABEL STD-E WITH FLAG)	1.000 EA

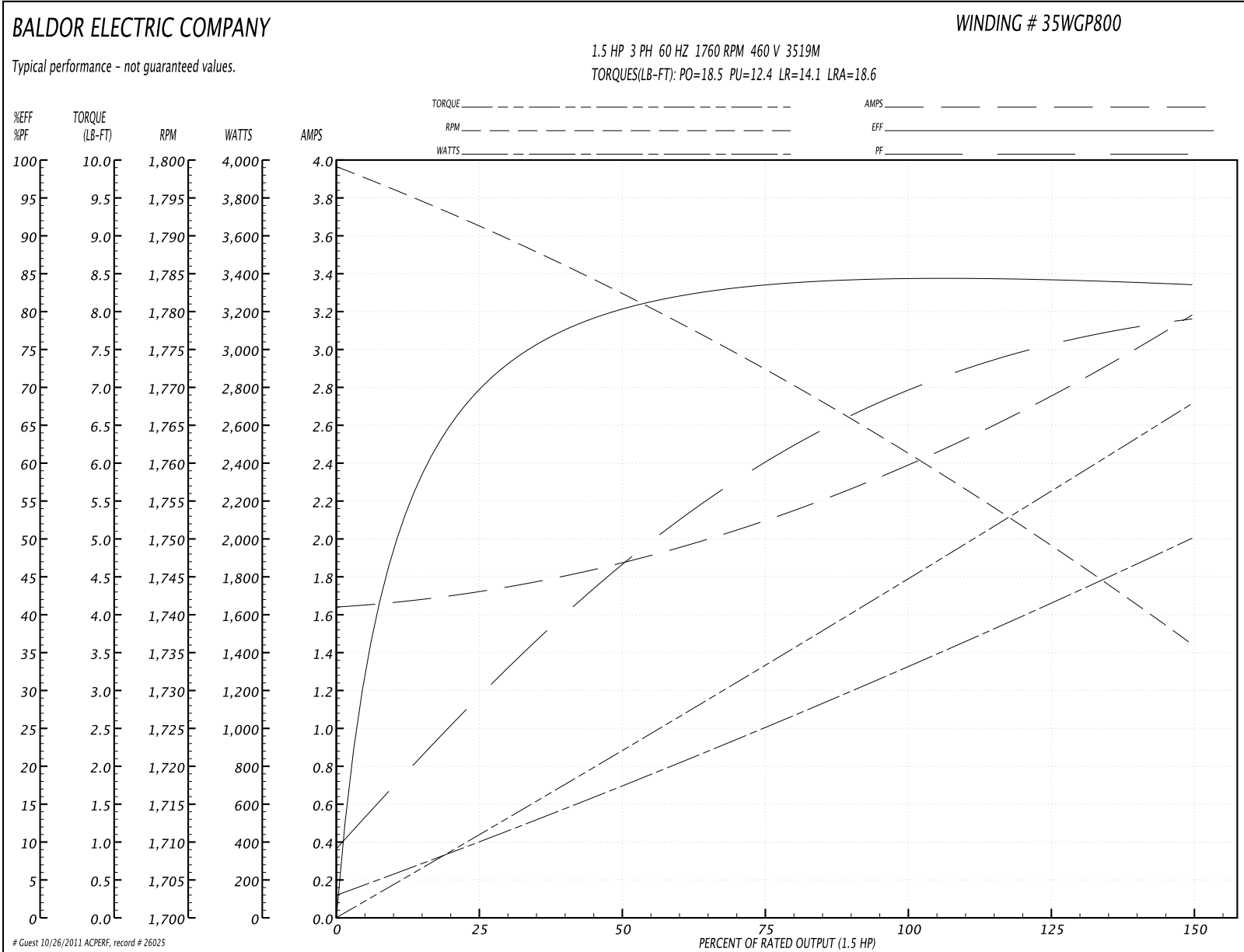
Parts List (continued)		
Part Number	Description	Quantity
NP1256L	ALUM, UL CSA CC, W/O THERMAL, LASER	1.000 EA
35PA1066	PACKING GROUP COMBINED PRINT	1.000 EA

Accessories		
Part Number	Description	Multiplier
35-1409	C FACE KIT	A8

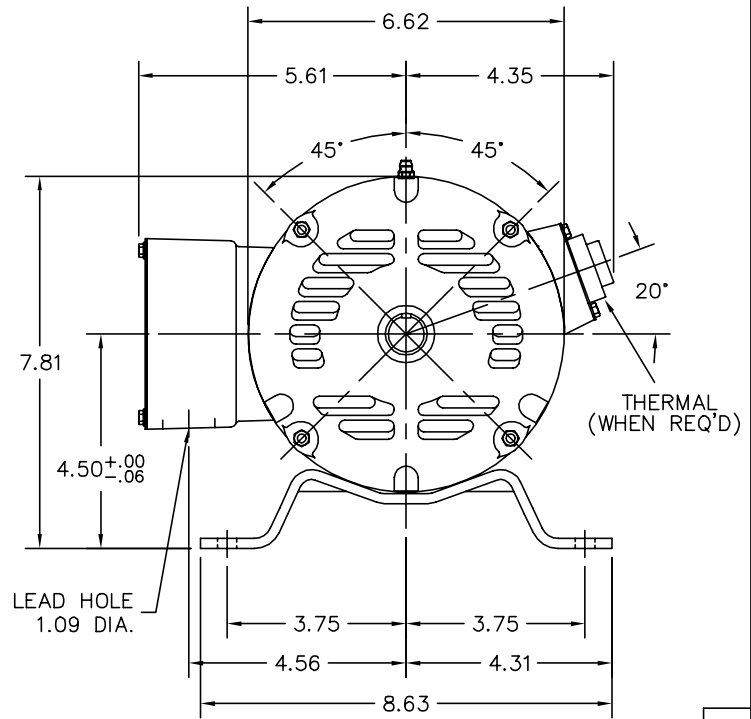
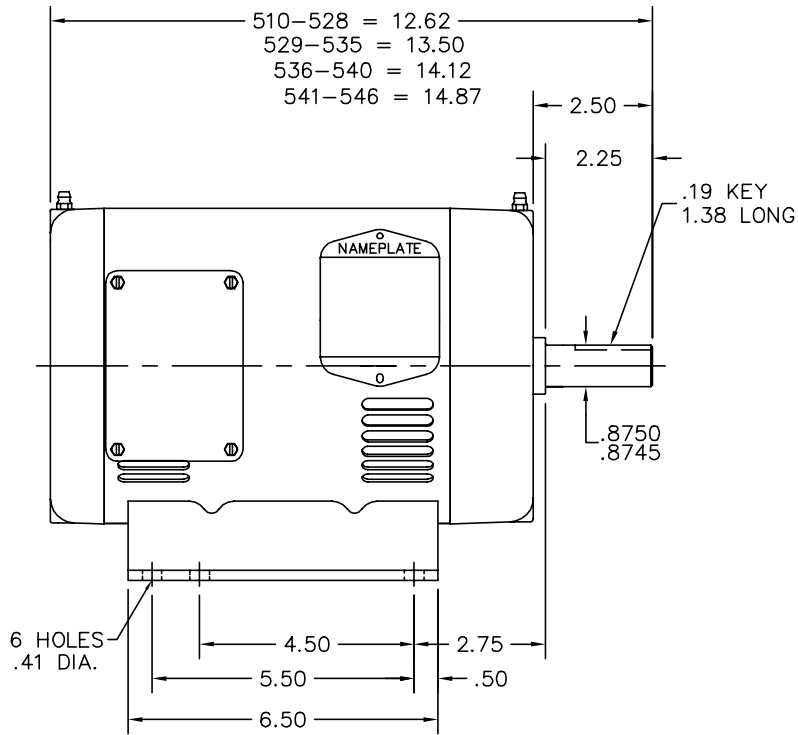
**Performance Data at 460V, 60Hz, 1.5HP (Typical performance - Not guaranteed values)**

General Characteristics							
Full Load Torque:	4.4 LB-FT			Start Configuration:	DOL		
No-Load Current:	1.65 Amps			Break-Down Torque:	18.5 LB-FT		
Line-line Res. @ 25°C.:	10.6 Ohms A Ph / 0.0 Ohms B Ph			Pull-Up Torque:	12.4 LB-FT		
Temp. Rise @ Rated Load:	34 C			Locked-Rotor Torque:	14.1 LB-FT		
Temp. Rise @ S.F. Load:	42 C			Starting Current:	18.6 Amps		
Load Characteristics							
% of Rated Load	25	50	75	100	125	150	S.F.
Power Factor:	29.0	46.0	60.0	69.0	75.0	79.0	73.0
Efficiency:	69.0	79.7	83.4	84.4	84.2	83.4	84.3
Speed:	1792.0	1782.0	1773.0	1762.0	1750.0	1736.0	1755.0
Line Amperes:	1.71	1.86	2.09	2.37	2.75	3.17	2.6

Performance Graph at 460V, 60Hz, 1.5HP Typical performance - Not guaranteed values



35LYN830



CUSTOMER IS RESPONSIBLE FOR DETERMINING THAT BALDOR'S PRODUCT WILL PERFORM SUITABLY IN THE INTENDED APPLICATION.

REV. DESC: ADDED MISSING SLOT GRAPHICS IN STATOR BAND		
REV. LTR: B	VERSION: 01	TDR: 000000541944
FILE: \AAA\00043\904		REVISED: 10:30:19 05/21/2010
MTL: -		BY: ENSTESO

**BALDOR**

STD HOR 182-4 OPSB 35M

SH 1 of 1

35LYN830

CD0005



LOW VOLTAGE  
(2Y)



LINE

HIGH VOLTAGE  
(1Y)



LINE

NOTES:

1. INTERCHANGE ANY TWO LINE LEADS TO REVERSE ROTATION.
2. OPTIONAL THERMOSTATS ARE PROVIDED WHEN SPECIFIED.
3. ACTUAL NUMBER OF INTERNAL PARALLEL CIRCUITS MAY BE A MULTIPLE OF THOSE SHOWN ABOVE.
4. LEAD COLORS ARE OPTIONAL. LEADS MUST ALWAYS BE NUMBERED AS SHOWN.

REV. DESC: REVISE TO SHOW OPTIONAL COLORS			
REV. LTR: E	BY: JLP	REVISED: 01/19/99 10:15	TDR: 0171435
90000		FILE: AAA00005140	MDL: -
		MTL: -	

**BALDOR ELECTRIC Co.**

3PH, DV, 9 LEADS

CD0005