

# **BALDOR® • RELIANCE**

**Product Information Packet**

**ELECTRIC MOTOR WHOLESAL.COM**

**M3209**

**2HP,1755RPM,3PH,60HZ,184,3523M,OPSB,F1,N**

Part Detail							
Revision:	A	Status:	PRD/A	Change #:		Proprietary:	No
Type:	AC	Prod. Type:	3523M	Elec. Spec:	35WGP499	CD Diagram:	
Enclosure:	OPSB	Mfg Plant:		Mech. Spec:	35N830	Layout:	
Frame:	184	Mounting:	F1	Poles:	04	Created Date:	05-05-2010
Base:	RG	Rotation:	R	Insulation:	B	Eff. Date:	03-11-2011
Leads:	9#18	Literature:		Elec. Diagram:		Replaced By:	

Nameplate NP1256L									
CAT.NO.	M3209								
SPEC.	35N830P499H1								
HP	2								
VOLTS	208-230/460								
AMP	6.8-6.3/3.15								
RPM	1755								
FRAME	184	HZ			60	PH	3		
SER.F.	1.15	CODE			L	DES	B	CLASS	B
NEMA-NOM-EFF	84	PF			71				
RATING	40C AMB-CONT								
CC	010A	USABLE AT 208V							
DE	6206	ODE			6203				
ENCL	OPSB	SN							

Parts List		
Part Number	Description	Quantity
SA194468	SA 35N830P499H1	1.000 EA
RA182055	RA 35N830P499H1	1.000 EA
S/P101-000-000	EPACT PROCEDURES-FS PLANT-POLYREX EM, NO	1.000 EA
NS2512A01	INSULATOR, CONDUIT BOX X	1.000 EA
35CB3009	35 CB CASTING W/1.09 DIA. LEAD HOLE @ 6:	1.000 EA
51XB1016A07	10-16 X 7/16 HXWSSLD SERTYB	2.000 EA
11XW1032G06	10-32 X .38, TAPTITE II, HEX WSHR SLTD U	1.000 EA
35EP3201A01	STD FR ENDPLATE-OPEN-203 BRG W/GREASER	1.000 EA
HW4500A01	1641B(ALEMITE)400 UNIV, GREASE FITT	1.000 EA
HW5100A03SP	WAVY WASHER (W1543-017)	1.000 EA
35EP3207A01	PU ENDPLATE, MACH	1.000 EA
HW4500A01	1641B(ALEMITE)400 UNIV, GREASE FITT	1.000 EA
XY1032A02	10-32 HEX NUT DIRECTIONAL SERRATION	4.000 EA
35CB4521	35 LIPPED CB LID (GALV & PHOSPH)	1.000 EA
51XW0832A07	8-32 X .44, TAPTITE II, HEX WSHR SLTD SE	4.000 EA
HW2501D13SP	KEY, 3/16 SQ X 1.375	1.000 EA
HA7000A01	KEY RETAINER 7/8" DIA SHAFT	1.000 EA
10XF0440S02	04-40 X 1/8 TYPE F HEX HD STAINLESS STIC	2.000 EA
MJ1000A75	GREASE, POLYREX EM EXXON	0.050 LB
MG1000G27	PAINT- S9282E CHARCOAL GREY 55 GALLONS	0.017 GA
HA3100A20	THRUBOLT 10-32 X 9.812	4.000 EA
35AD2005A01	BAFFLE PLATE,MOD 35-SLTD BAND MTRS TDR	2.000 EA
LC0005E01	CONN.DIA./WARNING LABEL (LC0005/LB1119)	1.000 EA
LB1125C04	STD-E (STOCK CTN LABEL STD-E WITH FLAG)	1.000 EA

<b>Parts List (continued)</b>		
<b>Part Number</b>	<b>Description</b>	<b>Quantity</b>
NP1256L	ALUM, UL CSA CC, W/O THERMAL, LASER	1.000 EA
35PA1066	PACKING GROUP COMBINED PRINT	1.000 EA

Accessories		
Part Number	Description	Multiplier
35-1409	C FACE KIT	A8

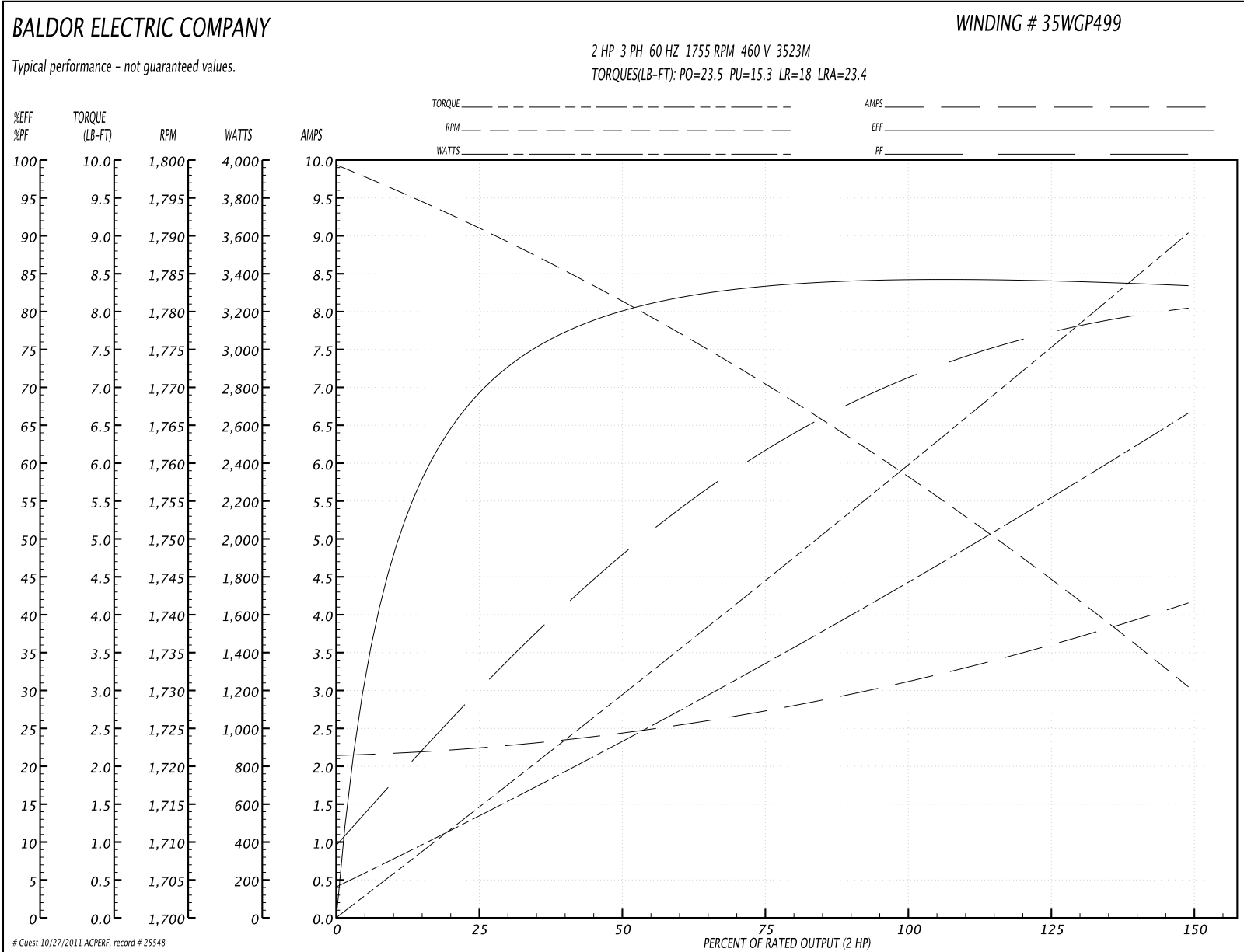
**Performance Data at 460V, 60Hz, 2.0HP (Typical performance - Not guaranteed values)**
**General Characteristics**

<b>Full Load Torque:</b>	5.94 LB-FT	<b>Start Configuration:</b>	DOL
<b>No-Load Current:</b>	2.16 Amps	<b>Break-Down Torque:</b>	23.5 LB-FT
<b>Line-line Res. @ 25°C.:</b>	8.41 Ohms A Ph / 0.0 Ohms B Ph	<b>Pull-Up Torque:</b>	15.3 LB-FT
<b>Temp. Rise @ Rated Load:</b>	48 C	<b>Locked-Rotor Torque:</b>	18.0 LB-FT
<b>Temp. Rise @ S.F. Load:</b>	58 C	<b>Starting Current:</b>	23.4 Amps

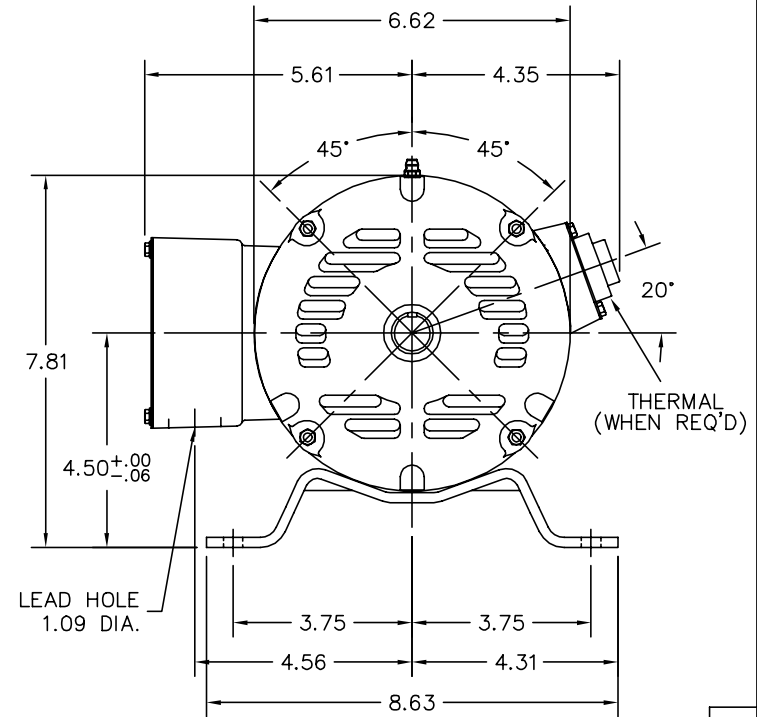
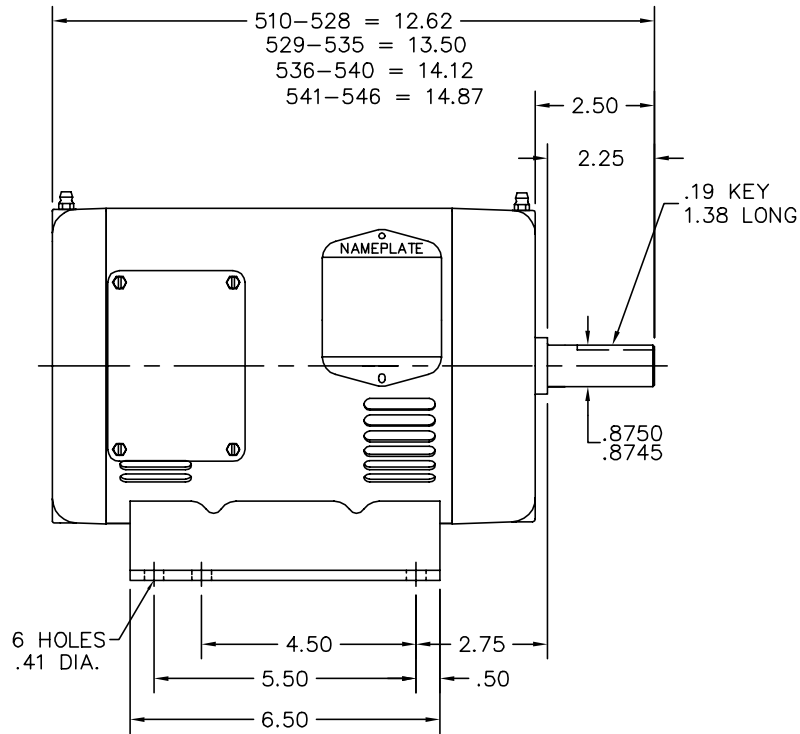
**Load Characteristics**

<b>% of Rated Load</b>	<b>25</b>	<b>50</b>	<b>75</b>	<b>100</b>	<b>125</b>	<b>150</b>	<b>S.F.</b>
<b>Power Factor:</b>	30.0	48.0	61.0	71.0	77.0	81.0	75.0
<b>Efficiency:</b>	68.6	79.6	83.3	84.3	84.0	83.3	84.1
<b>Speed:</b>	1792.0	1781.0	1771.0	1759.0	1744.0	1731.0	1750.0
<b>Line Amperes:</b>	2.22	2.42	2.72	3.13	3.6	4.14	3.41

Performance Graph at 460V, 60Hz, 2.0HP Typical performance - Not guaranteed values



35LYN830



CUSTOMER IS RESPONSIBLE FOR DETERMINING THAT BALDOR'S PRODUCT WILL PERFORM SUITABLY IN THE INTENDED APPLICATION.

REV. DESC: ADDED MISSING SLOT GRAPHICS IN STATOR BAND		
REV. LTR: B	VERSION: 01	TDR: 000000541944
FILE: \AAA\00043\904		REVISED: 10:30:19 05/21/2010
MTL: -		BY: ENSTESO

**BALDOR**

STD HOR 182-4 OPSB 35M

SH 1 of 1

35LYN830

CD0005



LOW VOLTAGE  
(2Y)



LINE

HIGH VOLTAGE  
(1Y)



LINE

NOTES:

1. INTERCHANGE ANY TWO LINE LEADS TO REVERSE ROTATION.
2. OPTIONAL THERMOSTATS ARE PROVIDED WHEN SPECIFIED.
3. ACTUAL NUMBER OF INTERNAL PARALLEL CIRCUITS MAY BE A MULTIPLE OF THOSE SHOWN ABOVE.
4. LEAD COLORS ARE OPTIONAL. LEADS MUST ALWAYS BE NUMBERED AS SHOWN.

REV. DESC: REVISE TO SHOW OPTIONAL COLORS

REV. LTR: E BY: JLP

REVISED: 01/19/99 10:15

TDR: 0171435

900000

FILE: AAA00005140

MDL: -

MTL: -

**BALDOR ELECTRIC Co.**

3PH, DV, 9 LEADS

CD0005