

BALDOR® • RELIANCE

Product Information Packet

ELECTRIC MOTOR WHOLESAL.COM

M3210

3HP,3450RPM,3PH,60HZ,184,3528M,OPSB,F1,N

Part Detail							
Revision:	A	Status:	PRD/A	Change #:		Proprietary:	No
Type:	AC	Prod. Type:	3528M	Elec. Spec:	35WGR986	CD Diagram:	
Enclosure:	OPSB	Mfg Plant:		Mech. Spec:	35N830	Layout:	
Frame:	184	Mounting:	F1	Poles:	02	Created Date:	05-11-2010
Base:	RG	Rotation:	R	Insulation:	B	Eff. Date:	04-11-2011
Leads:	9#18	Literature:		Elec. Diagram:		Replaced By:	

Nameplate NP1256L

CAT.NO.	M3210						
SPEC.	35N830R986H1						
HP	3						
VOLTS	208-230/460						
AMP	8.2-7.4/3.7						
RPM	3450						
FRAME	184	HZ	60	PH	3		
SER.F.	1.15	CODE	K	DES	B	CLASS	B
NEMA-NOM-EFF	84	PF	89				
RATING	40C AMB-CONT						
CC	010A	USABLE AT 208V	8.2				
DE	6206	ODE	6203				
ENCL	OPSB	SN					

Parts List		
Part Number	Description	Quantity
SA194666	SA 35N830R986H1	1.000 EA
RA182252	RA 35N830R986H1	1.000 EA
S/P101-000-000	EPACT PROCEDURES-FS PLANT-POLYREX EM, NO	1.000 EA
NS2512A01	INSULATOR, CONDUIT BOX X	1.000 EA
35CB3009	35 CB CASTING W/1.09 DIA. LEAD HOLE @ 6:	1.000 EA
51XB1016A07	10-16 X 7/16 HXWSSLD SERTYB	2.000 EA
11XW1032G06	10-32 X .38, TAPTITE II, HEX WSHR SLTD U	1.000 EA
35EP3201A01	STD FR ENDPLATE-OPEN-203 BRG W/GREASER	1.000 EA
HW4500A01	1641B(ALEMITE)400 UNIV, GREASE FITT	1.000 EA
HW5100A03SP	WAVY WASHER (W1543-017)	1.000 EA
35EP3207A01	PU ENDPLATE, MACH	1.000 EA
HW4500A01	1641B(ALEMITE)400 UNIV, GREASE FITT	1.000 EA
XY1032A02	10-32 HEX NUT DIRECTIONAL SERRATION	4.000 EA
35CB4521	35 LIPPED CB LID (GALV & PHOSPH)	1.000 EA
51XW0832A07	8-32 X .44, TAPTITE II, HEX WSHR SLTD SE	4.000 EA
HW2501D13SP	KEY, 3/16 SQ X 1.375	1.000 EA
HA7000A01	KEY RETAINER 7/8" DIA SHAFT	1.000 EA
10XF0440S02	04-40 X 1/8 TYPE F HEX HD STAINLESS STIC	2.000 EA
MJ1000A75	GREASE, POLYREX EM EXXON	0.050 LB
MG1000G27	PAINT- S9282E CHARCOAL GREY 55 GALLONS	0.017 GA
HA3100A20	THRUBOLT 10-32 X 9.812	4.000 EA
35AD2005A01	BAFFLE PLATE,MOD 35-SLTD BAND MTRS TDR	2.000 EA
LB1125C04	STD-E (STOCK CTN LABEL STD-E WITH FLAG)	1.000 EA
LC0005E01	CONN.DIA./WARNING LABEL (LC0005/LB1119)	1.000 EA

Parts List (continued)		
Part Number	Description	Quantity
LB5040	INSTRUCTION TAG, AC & DC	1.000 EA
NP1256L	ALUM, UL CSA CC, W/O THERMAL, LASER	1.000 EA
35PA1066	PACKING GROUP COMBINED PRINT	1.000 EA

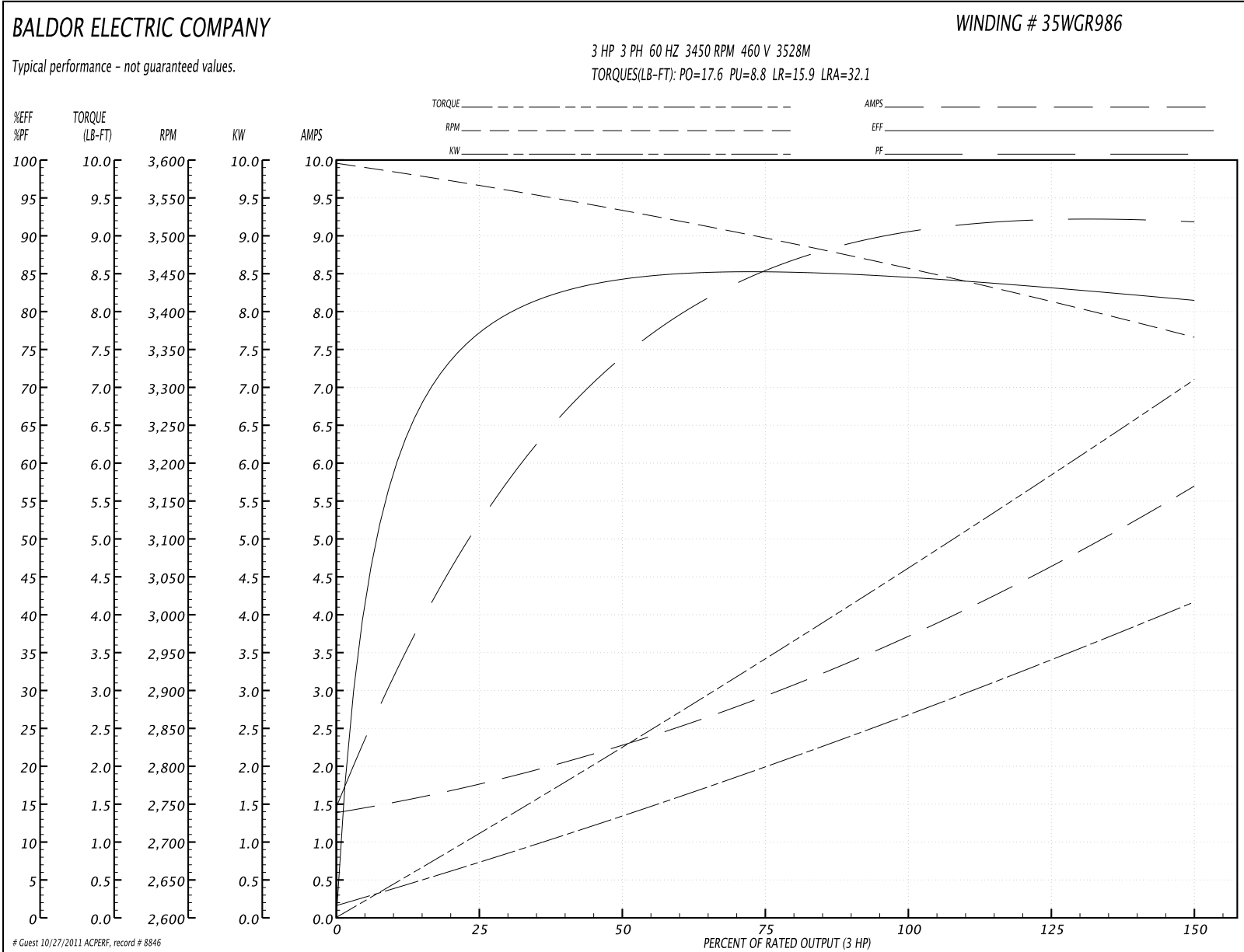
Performance Data at 460V, 60Hz, 3.0HP (Typical performance - Not guaranteed values)
General Characteristics

Full Load Torque:	4.74 LB-FT	Start Configuration:	DOL
No-Load Current:	1.41 Amps	Break-Down Torque:	17.6 LB-FT
Line-line Res. @ 25°C.:	5.49 Ohms A Ph / 0.0 Ohms B Ph	Pull-Up Torque:	8.8 LB-FT
Temp. Rise @ Rated Load:	39 C	Locked-Rotor Torque:	15.9 LB-FT
Temp. Rise @ S.F. Load:	47 C	Starting Current:	32.1 Amps

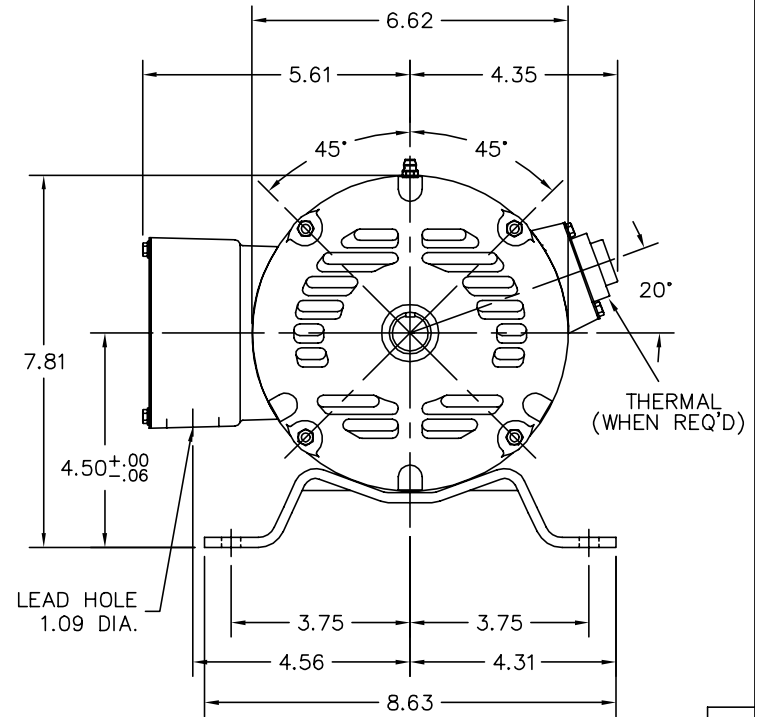
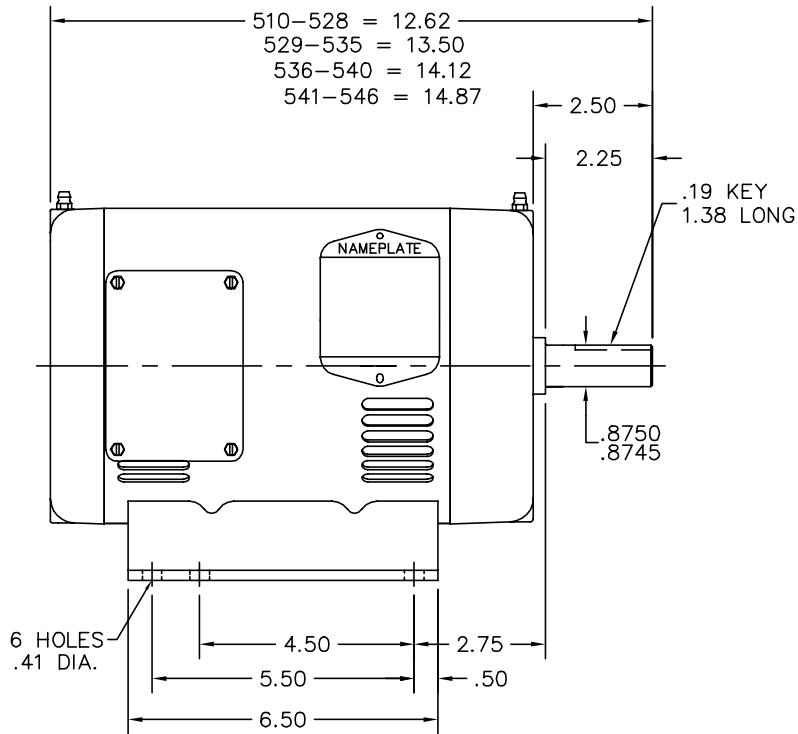
Load Characteristics

% of Rated Load	25	50	75	100	125	150	S.F.
Power Factor:	59.0	78.0	86.0	90.0	92.0	93.0	91.0
Efficiency:	77.9	84.0	85.1	84.6	83.3	81.3	83.8
Speed:	3562.0	3528.0	3494.0	3454.0	3412.0	3364.0	3429.0
Line Amperes:	1.76	2.32	3.02	3.84	4.7	5.69	4.36

Performance Graph at 460V, 60Hz, 3.0HP Typical performance - Not guaranteed values



35LYN830



CUSTOMER IS RESPONSIBLE FOR DETERMINING THAT BALDOR'S PRODUCT WILL PERFORM SUITABLY IN THE INTENDED APPLICATION.

REV. DESC: ADDED MISSING SLOT GRAPHICS IN STATOR BAND

REV. LTR: B

VERSION: 01

TDR: 000000541944

FILE: \AAA\00043\904

REVISED: 10:30:19 05/21/2010

MTL: -

BY: ENSTESO

BALDOR

STD HOR 182-4 OPSB 35M

SH 1 of 1

35LYN830

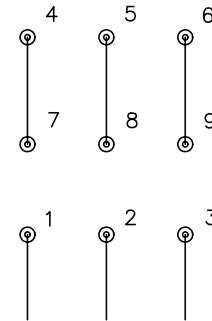
CD0005



LOW VOLTAGE
(2Y)



HIGH VOLTAGE
(1Y)



NOTES:

1. INTERCHANGE ANY TWO LINE LEADS TO REVERSE ROTATION.
2. OPTIONAL THERMOSTATS ARE PROVIDED WHEN SPECIFIED.
3. ACTUAL NUMBER OF INTERNAL PARALLEL CIRCUITS MAY BE A MULTIPLE OF THOSE SHOWN ABOVE.
4. LEAD COLORS ARE OPTIONAL. LEADS MUST ALWAYS BE NUMBERED AS SHOWN.

REV. DESC: REVISE TO SHOW OPTIONAL COLORS			
REV. LTR: E	BY: JLP	REVISED: 01/19/99 10:15	TDR: 0171435
900000		FILE: AAA00005140	MDL: -
		MTL: -	

BALDOR ELECTRIC Co.

3PH, DV, 9 LEADS

CD0005