

BALDOR® • RELIANCE

Product Information Packet

ELECTRIC MOTOR WHOLESAL.COM

M3219T

7.5HP,3440RPM,3PH,60HZ,184T,3628M,OPSB

Part Detail							
Revision:	E	Status:	INA/A	Change #:		Proprietary:	No
Type:	AC	Prod. Type:	3627M	Elec. Spec:	36WGT849	CD Diagram:	
Enclosure:	OPSB	Mfg Plant:		Mech. Spec:	36B101	Layout:	
Frame:	184T	Mounting:	F1	Poles:	02	Created Date:	
Base:	RG	Rotation:	R	Insulation:	B	Eff. Date:	10-04-2010
Leads:	9#16	Literature:		Elec. Diagram:		Replaced By:	

Nameplate NP1256L

CAT.NO.	M3219T						
SPEC.	36B101T849H1						
HP	7.5						
VOLTS	208-230/460						
AMP	18.8-17.4/8.7						
RPM	3450						
FRAME	184T	HZ	60	PH	3		
SER.F.	1.15	CODE	J	DES	B	CLASS	B
NEMA-NOM-EFF	87.5	PF	92				
RATING	40C AMB-CONT						
CC	010A	USABLE AT 208V					
DE	6206	ODE	6205				
ENCL	OPSB	SN					

Parts List		
Part Number	Description	Quantity
SA115333	SA 36B101T849H1	1.000 EA
RA106392	RA 36B101T849H1	1.000 EA
36CB3004	36 CB CASTING W/1.09 DIA LEAD HOLE @ 6:0	1.000 EA
51XB1016A08	10-16X 1/2HXWSSLD SERTYB	2.000 EA
11XW1032G06	10-32 X .38, TAPTITE II, HEX WSHR SLTD U	1.000 EA
HW3001B01	003SS CUP WASHER, FOR #8 SCREW	1.000 EA
36EP3200A01SP	FR ENDPLATE, MACH	1.000 EA
HW4500A01	1641B(ALEMITE)400 UNIV, GREASE FITT	1.000 EA
HW5100A05	WVY WSHR F/205 & 304 BRGS	1.000 EA
36EP3201A01	PU ENDPLATE, MACH 182-4T	1.000 EA
HW4500A01	1641B(ALEMITE)400 UNIV, GREASE FITT	1.000 EA
XY2520A12	1/4-20 HEX NUT, DIRECTIONAL SERRATIONS	4.000 EA
36CB4516	36 LIPPED CB LID	1.000 EA
51XW0832A07	8-32 X .44, TAPTITE II, HEX WSHR SLTD SE	4.000 EA
HW2501E16	KEY, 1/4 SQ X 1.750	1.000 EA
HA7000A02	KEY RETAINER RING, 1 1/8 DIA, 1 3/8 DIA	1.000 EA
85XU0407S04	4X1/4 U DRIVE PIN STAINLESS	2.000 EA
MJ1000A75	GREASE, POLYREX EM EXXON	0.050 LB
MG1000G27	PAINT- S9282E CHARCOAL GREY 55 GALLONS	0.022 GA
S/P101-000-000	EPACT PROCEDURES-FS PLANT-POLYREX EM, NO	1.000 EA
36AD2004A01	BAFFLE PLATE,MOD 36-SLTD BAND MTRS DELTA	2.000 EA
HA3101A25	THRUBOLT 1/4-20 X 11.000 OHIO ROD	4.000 EA
LB1125C04	STD-E (STOCK CTN LABEL STD-E WITH FLAG)	1.000 EA
LC0005E01	CONN.DIA./WARNING LABEL (LC0005/LB1119)	1.000 EA

Parts List (continued)		
Part Number	Description	Quantity
NP1256L	ALUM, UL CSA CC, W/O THERMAL, LASER	1.000 EA
36PA1000	PACK GROUP W/LB5001	1.000 EA

Accessories		
Part Number	Description	Multiplier
36-3403	C FACE KIT	A8
36EP1405A09SP	D-FLANGE KIT	A8

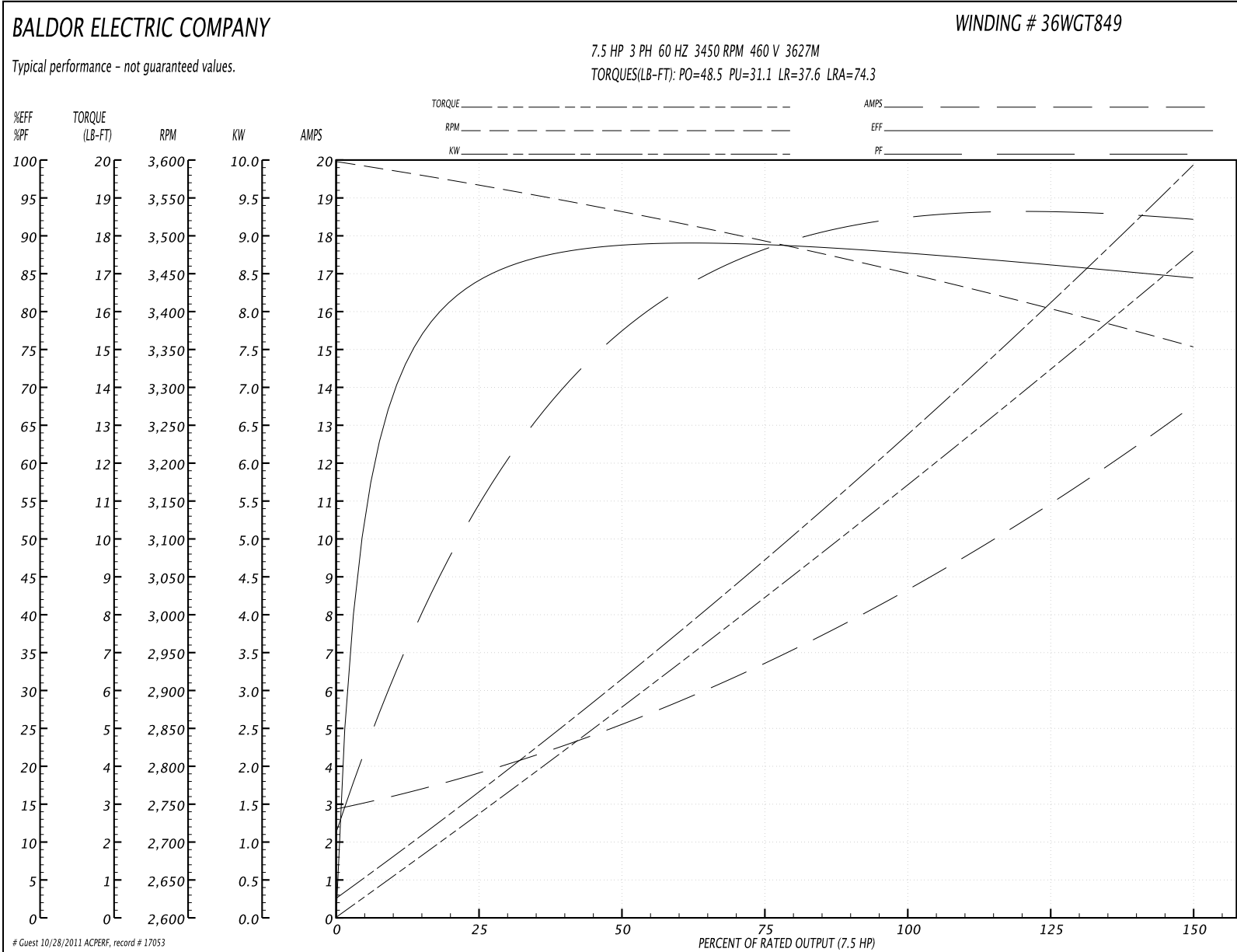
Performance Data at 460V, 60Hz, 7.5HP (Typical performance - Not guaranteed values)
General Characteristics

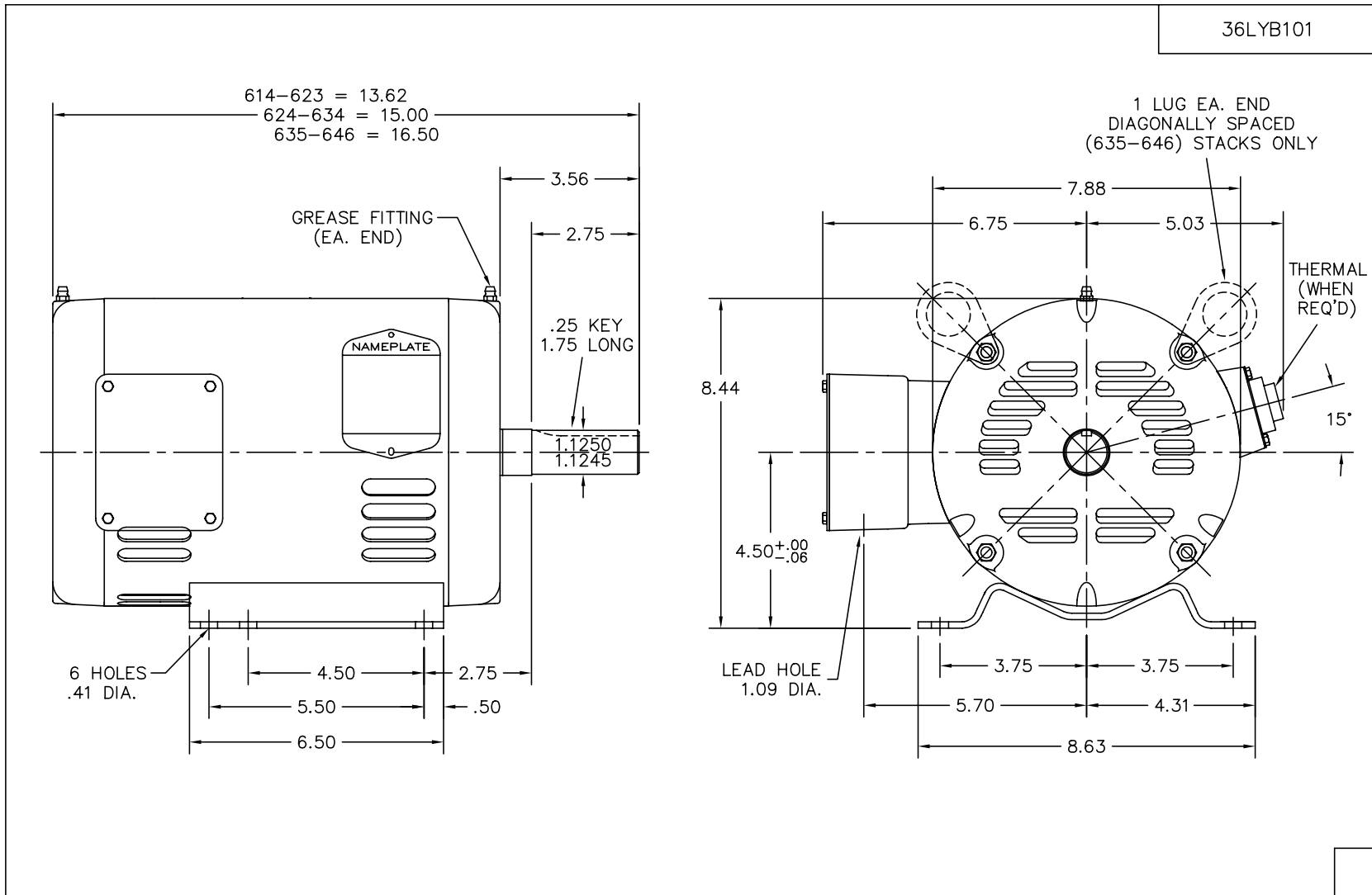
Full Load Torque:	11.41 LB-FT	Start Configuration:	DOL
No-Load Current:	2.91 Amps	Break-Down Torque:	48.5 LB-FT
Line-line Res. @ 25°C.:	1.9 Ohms A Ph / 0.0 Ohms B Ph	Pull-Up Torque:	31.1 LB-FT
Temp. Rise @ Rated Load:	54 C	Locked-Rotor Torque:	37.6 LB-FT
Temp. Rise @ S.F. Load:	72 C	Starting Current:	74.3 Amps

Load Characteristics

% of Rated Load	25	50	75	100	125	150	S.F.
Power Factor:	56.0	78.0	89.0	92.0	93.0	93.0	93.0
Efficiency:	83.7	88.3	88.8	87.9	86.5	84.3	87.1
Speed:	3566.0	3531.0	3493.0	3451.0	3406.0	3352.0	3424.0
Line Amperes:	3.77	5.1	6.7	8.7	10.95	13.5	10.0

Performance Graph at 460V, 60Hz, 7.5HP Typical performance - Not guaranteed values





36LYB101

CUST. NAME		CUST. P.O.		CERTIFIED BY		MODEL		INSUL		AMB			
H.P.		MTG		TYPE		R.P.M.		VOLTS		ENCL			
PHASE		FREQ		FRAME		BALDOR ELECTRIC Co.							
REV. LTR: D		BY: SSS		REVISED: 04/24/99 11:4								TDR: 0179838	
36LYB101		FILE: AAA00015992		MDL: -								MTL: -	
						STD HORZ 182-4T OPSB 36M							

36LYB101

CD0005



LOW VOLTAGE
(2Y)



LINE

HIGH VOLTAGE
(1Y)



LINE

NOTES:

1. INTERCHANGE ANY TWO LINE LEADS TO REVERSE ROTATION.
2. OPTIONAL THERMOSTATS ARE PROVIDED WHEN SPECIFIED.
3. ACTUAL NUMBER OF INTERNAL PARALLEL CIRCUITS MAY BE A MULTIPLE OF THOSE SHOWN ABOVE.
4. LEAD COLORS ARE OPTIONAL. LEADS MUST ALWAYS BE NUMBERED AS SHOWN.

REV. DESC: REVISE TO SHOW OPTIONAL COLORS			
REV. LTR: E	BY: JLP	REVISED: 01/19/99 10:15	TDR: 0171435
900000		FILE: AAA00005140	MDL: -
		MTL: -	

BALDOR ELECTRIC Co.

3PH, DV, 9 LEADS

CD0005