

BALDOR® • RELIANCE

Product Information Packet

ELECTRIC MOTOR WHOLESALE.COM

M3307

5HP,3450RPM,3PH,60HZ,213,3628M,OPSB,F1,N

Part Detail							
Revision:	B	Status:	PRD/A	Change #:		Proprietary:	No
Type:	AC	Prod. Type:	3628M	Elec. Spec:	36WGS560	CD Diagram:	
Enclosure:	OPSB	Mfg Plant:		Mech. Spec:	36J913	Layout:	
Frame:	213	Mounting:	F1	Poles:	02	Created Date:	08-26-2010
Base:	RG	Rotation:	R	Insulation:	F	Eff. Date:	11-04-2010
Leads:	9#16	Literature:		Elec. Diagram:		Replaced By:	

Nameplate NP1256L

CAT.NO.	M3307						
SPEC.	36J913S560H1						
HP	5						
VOLTS	208-230/460						
AMP	13.2-12/6						
RPM	3450						
FRAME	213	HZ			60	PH	3
SER.F.	1.15	CODE			K	DES	B CLASS F
NEMA-NOM-EFF	85.5	PF			93		
RATING	40C AMB-CONT						
CC	010A	USABLE AT 208V			13.2		
DE	6207	ODE			6205		
ENCL	OPSB	SN					

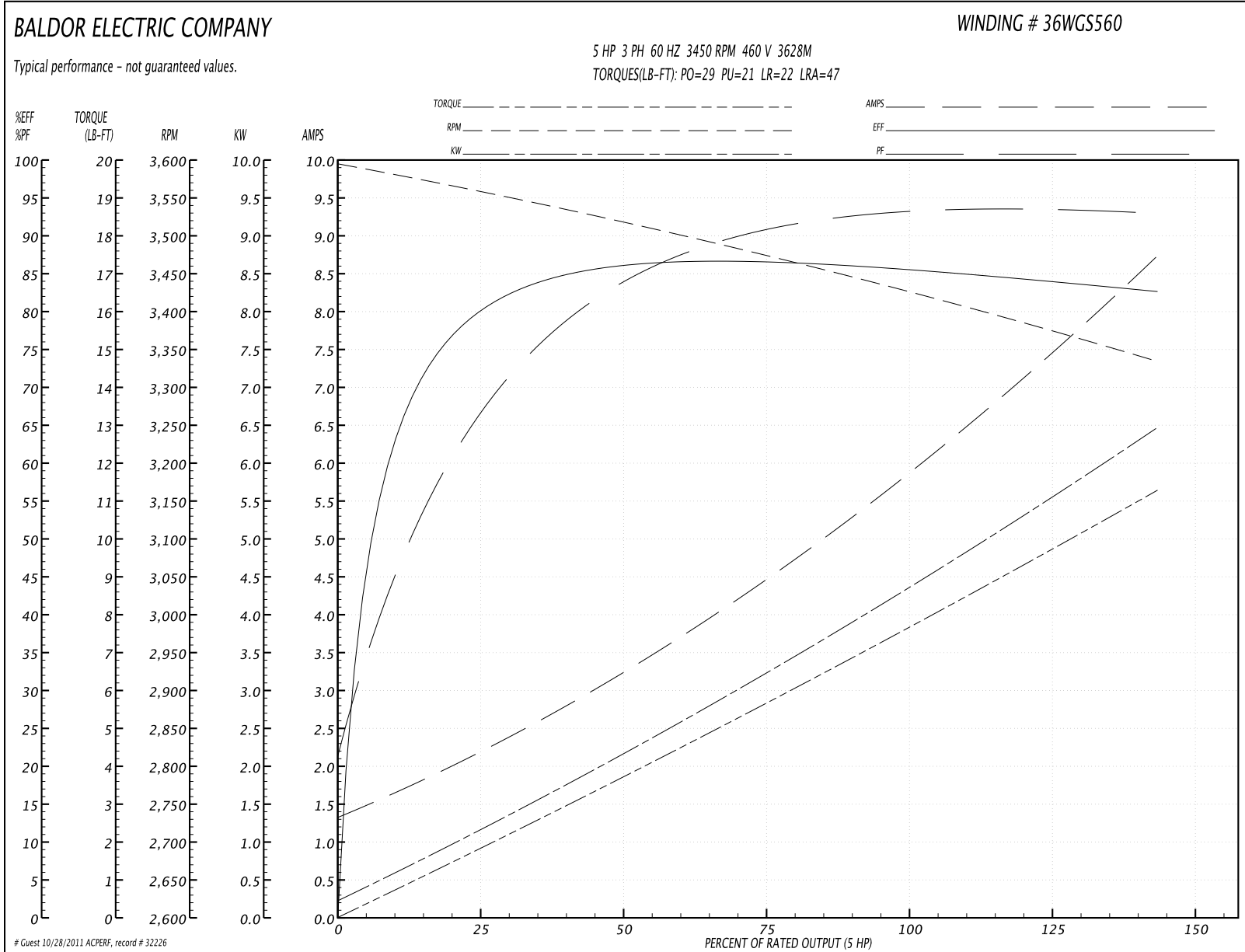
Parts List		
Part Number	Description	Quantity
SA202475	SA 36J913S560H1	1.000 EA
RA189753	RA 36J913S560H1	1.000 EA
S/P101-000-000	EPACT PROCEDURES-FS PLANT-POLYREX EM, NO	1.000 EA
HA6362T	LIFTING LUG FOR 36 FRAME MOTORS.	2.000 EA
36CB3004	36 CB CASTING W/1.09 DIA LEAD HOLE @ 6:0	1.000 EA
51XB1016A08	10-16X 1/2HXWSSLD SERTYB	2.000 EA
11XW1032G06	10-32 X .38, TAPTITE II, HEX WSHR SLTD U	1.000 EA
HW3001B01	003SS CUP WASHER, FOR #8 SCREW	1.000 EA
36EP3200A01SP	FR ENDPLATE, MACH	1.000 EA
HW4500A01	1641B(ALEMITE)400 UNIV, GREASE FITT	1.000 EA
HW5100A05	WVY WSHR F/205 & 304 BRGS	1.000 EA
36EP3203A01	PULLEY ENDPLATE 36 FRAME OPEN 207 BRGW/G	1.000 EA
HW4500A01	1641B(ALEMITE)400 UNIV, GREASE FITT	1.000 EA
HA3101A40	THRUBOLT 1/4-20 X 12.687	4.000 EA
XY2520A12	1/4-20 HEX NUT, DIRECTIONAL SERRATIONS	4.000 EA
36CB4516	36 LIPPED CB LID	1.000 EA
51XW0832A07	8-32 X .44, TAPTITE II, HEX WSHR SLTD SE	4.000 EA
HW2501E18	KEY, 1/4 SQ X 2.000	1.000 EA
HA7000A02	KEY RETAINER RING, 1 1/8 DIA, 1 3/8 DIA	1.000 EA
85XU0407S04	4X1/4 U DRIVE PIN STAINLESS	2.000 EA
MJ1000A75	GREASE, POLYREX EM EXXON	0.050 LB
MG1000G27	PAINT- S9282E CHARCOAL GREY 55 GALLONS	0.022 GA
LB1115	LABEL,LIFTING DEVICE	1.000 EA
36AD2004B01	BAFFLE PLATE,MOD 36-SLTD BAND MTRS	2.000 EA

Parts List (continued)		
Part Number	Description	Quantity
LB1125C04	STD-E (STOCK CTN LABEL STD-E WITH FLAG)	1.000 EA
LC0005E01	CONN.DIA./WARNING LABEL (LC0005/LB1119)	1.000 EA
NP1256L	ALUM, UL CSA CC, W/O THERMAL, LASER	1.000 EA
36PA1001	PACKAGING GROUP	1.000 EA

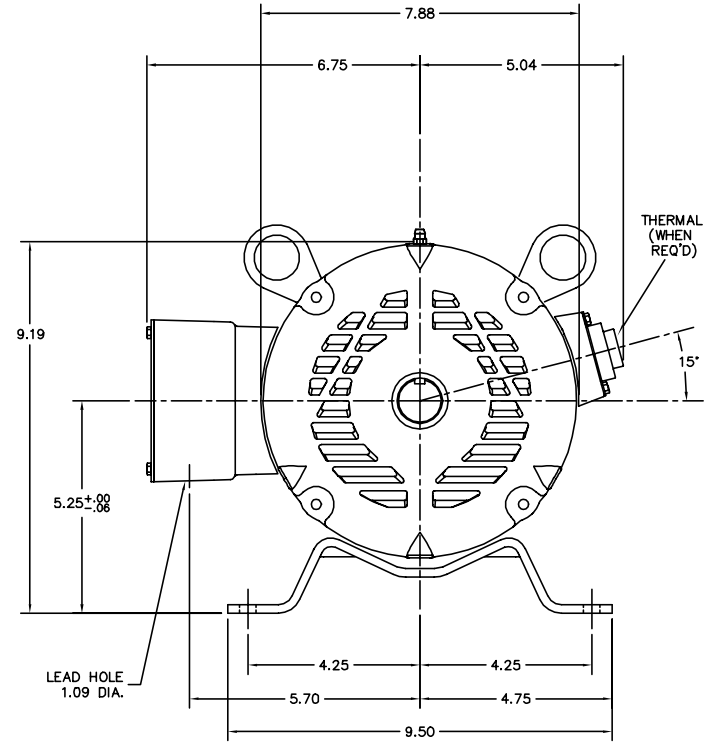
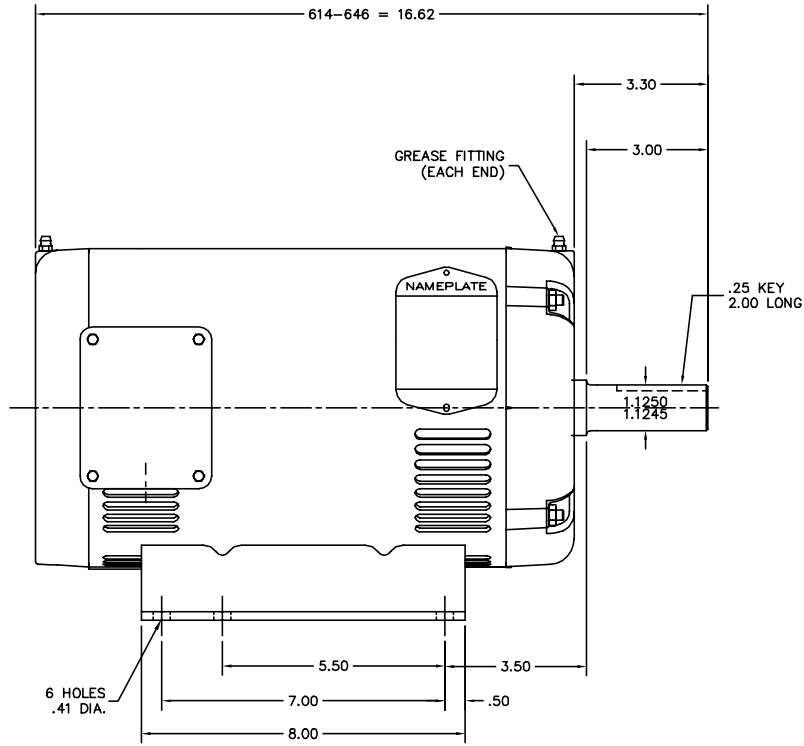
Accessories		
Part Number	Description	Multiplier
36-1206A	C FACE KIT 213-5TC OPSB	A8

Performance Data at 460V, 60Hz, 5.0HP (Typical performance - Not guaranteed values)							
General Characteristics							
Full Load Torque:	7.5 LB-FT			Start Configuration:	DOL		
No-Load Current:	1.4 Amps			Break-Down Torque:	29.0 LB-FT		
Line-line Res. @ 25°C.:	2.87 Ohms A Ph / 0.0 Ohms B Ph			Pull-Up Torque:	21.0 LB-FT		
Temp. Rise @ Rated Load:				Locked-Rotor Torque:	22.0 LB-FT		
Temp. Rise @ S.F. Load:				Starting Current:	47.0 Amps		
Load Characteristics							
% of Rated Load	25	50	75	100	125	150	S.F.
Power Factor:	71.0	86.0	90.0	92.0	93.0	93.0	93.0
Efficiency:	80.4	85.8	86.6	85.7	84.3	82.6	84.9
Speed:	3555.0	3517.0	3475.0	3431.0	3386.0	3332.0	3404.0
Line Amperes:	2.1	3.2	4.5	5.8	7.2	8.7	6.64

Performance Graph at 460V, 60Hz, 5.0HP Typical performance - Not guaranteed values



36LYJ913



CUSTOMER IS RESPONSIBLE FOR DETERMINING THAT MOTOR PERFORMANCE IS SUITABLE IN THE APPLICATION.

REV. DESC: CHG PUEP FROM 36EP1211A01 TO 36EP3203A01			
REV. LTR: A	BY: JF	REVISED: 07:57:29 01/17/2004	TDR: 321213
FILE: AAA00084389		REF: 36LYJ913	
MTL: -			

BALDOR ELECTRIC Co.

HORZ 213-5 OPSB 36M

36LYJ913

CD0005



LOW VOLTAGE
(2Y)



LINE

HIGH VOLTAGE
(1Y)



LINE

NOTES:

1. INTERCHANGE ANY TWO LINE LEADS TO REVERSE ROTATION.
2. OPTIONAL THERMOSTATS ARE PROVIDED WHEN SPECIFIED.
3. ACTUAL NUMBER OF INTERNAL PARALLEL CIRCUITS MAY BE A MULTIPLE OF THOSE SHOWN ABOVE.
4. LEAD COLORS ARE OPTIONAL. LEADS MUST ALWAYS BE NUMBERED AS SHOWN.

REV. DESC: REVISE TO SHOW OPTIONAL COLORS			
REV. LTR: E	BY: JLP	REVISED: 01/19/99 10:15	TDR: 0171435
900000		FILE: AAA00005140	MDL: -
		MTL: -	

BALDOR ELECTRIC Co.

3PH, DV, 9 LEADS

CD0005