

BALDOR® • RELIANCE

Product Information Packet

ELECTRIC MOTOR WHOLESAL.COM

M3311T-8

7.5HP,1750RPM,3PH,60HZ,213T,3643M,OPSB,F

Part Detail							
Revision:	D	Status:	PRD/A	Change #:		Proprietary:	No
Type:	AC	Prod. Type:	3643M	Elec. Spec:	36WGT702	CD Diagram:	
Enclosure:	OPSB	Mfg Plant:		Mech. Spec:	36B103	Layout:	
Frame:	213T	Mounting:	F1	Poles:	04	Created Date:	06-27-2006
Base:	RG	Rotation:	R	Insulation:	B	Eff. Date:	10-06-2010
Leads:	3#12	Literature:		Elec. Diagram:		Replaced By:	

Nameplate NP1256L

CAT.NO.	M3311T-8						
SPEC.	36B103T702H1						
HP	7.5						
VOLTS	200						
AMP	23						
RPM	1750						
FRAME	213T	HZ	60	PH	3		
SER.F.	1.15	CODE	J	DES	A	CLASS	B
NEMA-NOM-EFF	88.5	PF	79				
RATING	40C AMB-CONT						
CC	010A	USABLE AT 208V					
DE	6207	ODE	6205				
ENCL	OPSB	SN					

Parts List		
Part Number	Description	Quantity
SA145771	SA 36B103T702H1	1.000 EA
RA134898	RA 36B103T702H1	1.000 EA
S/P101-000-000	EPACT PROCEDURES-FS PLANT-POLYREX EM, NO	1.000 EA
HA6362T	LIFTING LUG FOR 36 FRAME MOTORS.	2.000 EA
36CB3004	36 CB CASTING W/1.09 DIA LEAD HOLE @ 6:0	1.000 EA
51XB1016A08	10-16X 1/2HXWSSLD SERTYB	2.000 EA
11XW1032G06	10-32 X .38, TAPTITE II, HEX WSHR SLTD U	1.000 EA
HW3001B01	003SS CUP WASHER, FOR #8 SCREW	1.000 EA
36EP3200A01SP	FR ENDPLATE, MACH	1.000 EA
HW4500A01	1641B(ALEMITE)400 UNIV, GREASE FITT	1.000 EA
HW5100A05	WVY WSHR F/205 & 304 BRGS	1.000 EA
36EP3203A01	PULLEY ENDPLATE 36 FRAME OPEN 207 BRGW/G	1.000 EA
HW4500A01	1641B(ALEMITE)400 UNIV, GREASE FITT	1.000 EA
HA3101A40	THRUBOLT 1/4-20 X 12.687	4.000 EA
XY2520A12	1/4-20 HEX NUT, DIRECTIONAL SERRATIONS	4.000 EA
36CB4516	36 LIPPED CB LID	1.000 EA
51XW0832A07	8-32 X .44, TAPTITE II, HEX WSHR SLTD SE	4.000 EA
HW2501F21	KEY, 5/16 SQ X 2.375	1.000 EA
HA7000A02	KEY RETAINER RING, 1 1/8 DIA, 1 3/8 DIA	1.000 EA
85XU0407S04	4X1/4 U DRIVE PIN STAINLESS	2.000 EA
LB1115	LABEL,LIFTING DEVICE	1.000 EA
MJ1000A75	GREASE, POLYREX EM EXXON	0.050 LB
MG1000G27	PAINT- S9282E CHARCOAL GREY	0.022 GA
36AD2004A01	BAFFLE PLATE,MOD 36-SLTD BAND MTRS DELTA	2.000 EA

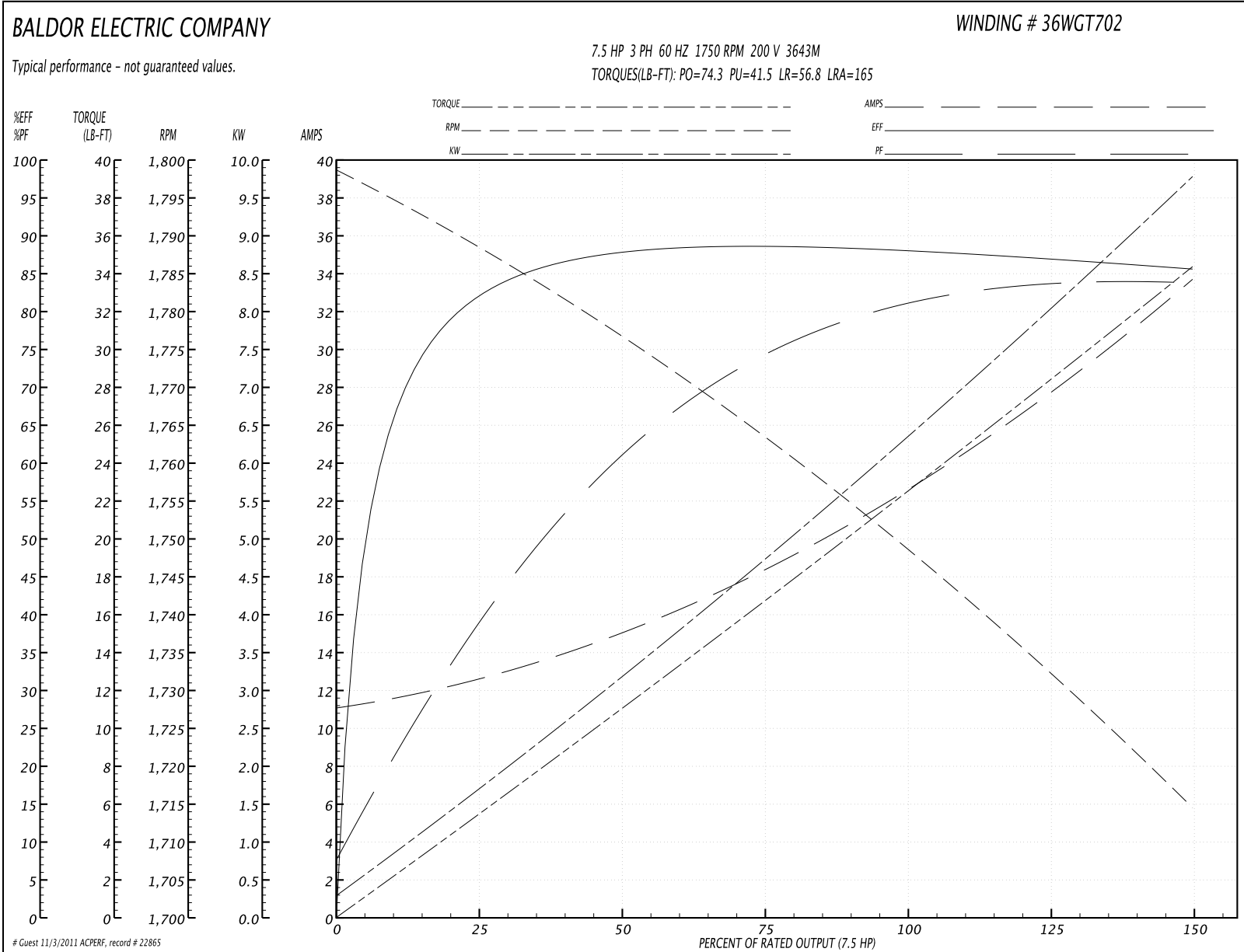
Parts List (continued)		
Part Number	Description	Quantity
LB1125C04	STD-E (STOCK CTN LABEL STD-E WITH FLAG)	1.000 EA
LB1119	WARNING LABEL	1.000 EA
NP1256L	ALUM, UL CSA CC, W/O THERMAL, LASER	1.000 EA
36PA1001	PACKAGING GROUP	1.000 EA

Accessories		
Part Number	Description	Multiplier
36-1206A	C FACE KIT 213-5TC OPSB	A8

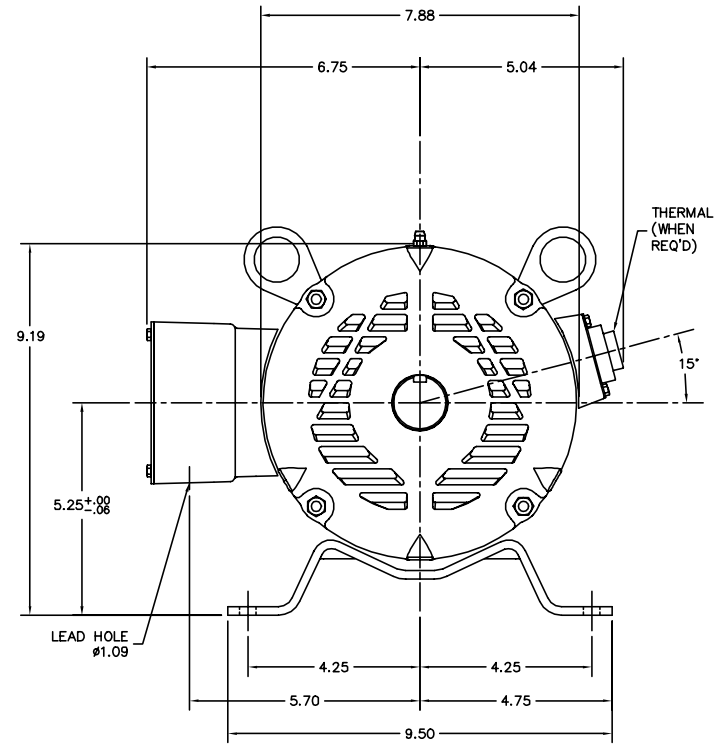
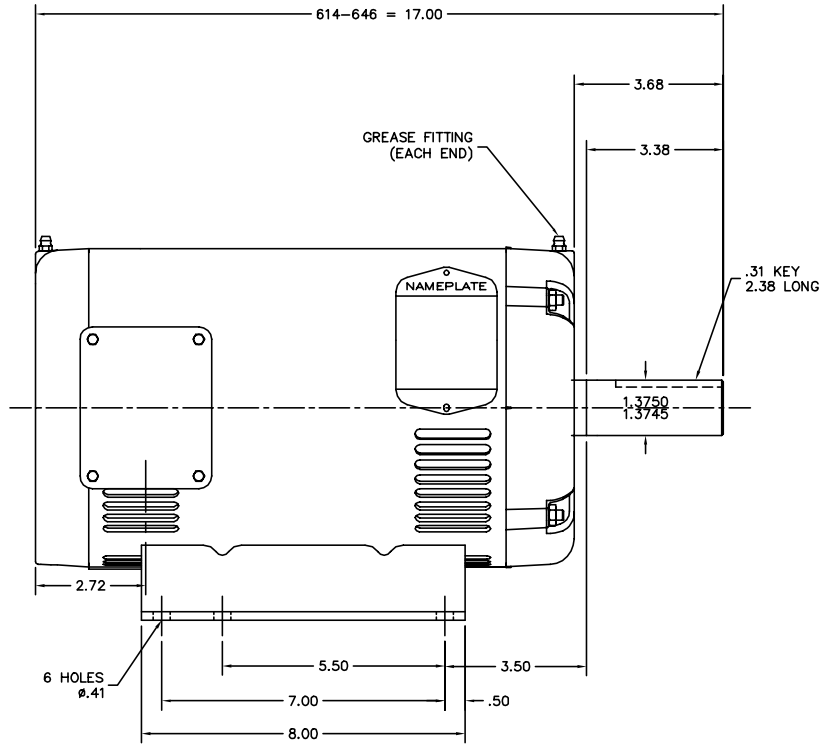
Performance Data at 200V, 60Hz, 7.5HP (Typical performance - Not guaranteed values)

General Characteristics							
Full Load Torque:	22.5 LB-FT			Start Configuration:	DOL		
No-Load Current:	11.4 Amps			Break-Down Torque:	74.3 LB-FT		
Line-line Res. @ 25°C.:	0.313 Ohms A Ph / 0.0 Ohms B Ph			Pull-Up Torque:	41.5 LB-FT		
Temp. Rise @ Rated Load:	58 C			Locked-Rotor Torque:	56.8 LB-FT		
Temp. Rise @ S.F. Load:	71 C			Starting Current:	165.0 Amps		
Load Characteristics							
% of Rated Load	25	50	75	100	125	150	S.F.
Power Factor:	41.0	62.0	74.0	80.0	83.0	84.0	82.0
Efficiency:	81.9	87.4	88.5	88.3	87.1	85.5	87.6
Speed:	1788.0	1777.0	1763.0	1749.0	1733.0	1714.0	1739.0
Line Amperes:	12.2	14.8	18.5	22.8	27.9	33.5	25.9

Performance Graph at 200V, 60Hz, 7.5HP Typical performance - Not guaranteed values



36LYB103



CUSTOMER IS RESPONSIBLE FOR DETERMINING THAT MOTOR PERFORMANCE IS SUITABLE IN THE APPLICATION.

REV. DESC: CHG PUEP FROM 36EP1211A01 TO 36EP3203A01			
REV. LTR: G	BY: JF	REVISED: 10:53:09 01/19/2004	TDR: 321213
FILE: AAA00024270		REF: 36LYB103	
MTL: -			

BALDOR ELECTRIC Co.

STD HORZ 213-5T OPSB 36M

36LYB103

CD0006



NOTES:

1. THREE LEAD MOTOR MAY BE EITHER WYE CONNECTED OR DELTA CONNECTED.
2. INTERCHANGE ANY TWO LINE LEADS TO REVERSE ROTATION.
3. OPTIONAL THERMOSTATS ARE PROVIDED WHEN SPECIFIED.
4. ACTUAL NUMBER OF INTERNAL PARALLEL CIRCUITS MAY VARY.
5. LEAD COLORS ARE OPTIONAL. LEADS MUST BE NUMBERED AS SHOWN.

REV. DESC: REVISE TO SHOW OPTIONAL COLORS			
REV. LTR: D	BY: JLP	REVISED: 01/21/99 4:02	TDR: 0171435
9000D		FILE: AAA00005141	MDL: -
		MTL: -	

BALDOR ELECTRIC Co.

3PH, SV, 3 LEADS, WYE OR DELTA CONNECTED

CD0006