

BALDOR® • RELIANCE

Product Information Packet

ELECTRIC MOTOR WHOLESAL.COM

M3546T

1HP,1750RPM,3PH,60HZ,143T,3516M,TEFC,F1

| Part Detail | | | | | | | |
|-------------|------|-------------|-------|----------------|----------|---------------|------------|
| Revision: | F | Status: | INA/A | Change #: | | Proprietary: | No |
| Type: | AC | Prod. Type: | 3516M | Elec. Spec: | 35WGP674 | CD Diagram: | |
| Enclosure: | TEFC | Mfg Plant: | | Mech. Spec: | 35A001 | Layout: | |
| Frame: | 143T | Mounting: | F1 | Poles: | 04 | Created Date: | 07-02-2007 |
| Base: | RG | Rotation: | R | Insulation: | F | Eff. Date: | 06-24-2009 |
| Leads: | 9#18 | Literature: | | Elec. Diagram: | | Replaced By: | |

Nameplate NP1256L

| | | | | | | | |
|--------------|----------------|----------------|------|-----|---|-------|---|
| CAT.NO. | M3546T | | | | | | |
| SPEC. | 35A001P674H1 | | | | | | |
| HP | 1 | | | | | | |
| VOLTS | 208-230/460 | | | | | | |
| AMP | 3.38-3.12/1.56 | | | | | | |
| RPM | 1750 | | | | | | |
| FRAME | 143T | HZ | 60 | PH | 3 | | |
| SER.F. | 1.15 | CODE | M | DES | B | CLASS | F |
| NEMA-NOM-EFF | 82.5 | PF | 73 | | | | |
| RATING | 40C AMB-CONT | | | | | | |
| CC | 010A | USABLE AT 208V | | | | | |
| DE | 6205 | ODE | 6203 | | | | |
| ENCL | TEFC | SN | | | | | |
| | | | | | | | |

| Parts List | | |
|----------------|--|----------|
| Part Number | Description | Quantity |
| SA159814 | SA 35A001P674H1 | 1.000 EA |
| RA148415 | RA 35A001P674H1 | 1.000 EA |
| 34FN3002B01 | EXTERNAL FAN, PLASTIC, .637/.639 HUB W/ | 1.000 EA |
| S/P101-000-000 | EPACT PROCEDURES-FS PLANT-POLYREX EM, NO | 1.000 EA |
| NS2512A01 | INSULATOR, CONDUIT BOX X | 1.000 EA |
| 35CB3007 | 35 CB CASTING W/.88 DIA. LEAD HOLE | 1.000 EA |
| 36GS1000SP | GASKET-CONDUIT BOX, .06 THICK #SV-330 LE | 1.000 EA |
| 51XB1016A07 | 10-16 X 7/16 HXWSSLD SERTYB | 2.000 EA |
| 11XW1032G06 | 10-32 X .38, TAPTITE II, HEX WSHR SLTD U | 1.000 EA |
| 35EP3100M01 | FREP TEFC 203 BRG W/GRSR (RAISED FH PADS | 1.000 EA |
| HW4500A01 | 1641B(ALEMITE)400 UNIV, GREASE FITT | 1.000 EA |
| HW5100A03SP | WAVY WASHER (W1543-017) | 1.000 EA |
| 35EP3101A01SP | STD PU EP-ENCLOSED-205 BRG-W/GREASER | 1.000 EA |
| HW4500A01 | 1641B(ALEMITE)400 UNIV, GREASE FITT | 1.000 EA |
| XY1032A02 | 10-32 HEX NUT DIRECTIONAL SERRATION | 4.000 EA |
| 51XB1214A16 | 12-14X1.00 HXWSSLD SERTYB | 1.000 EA |
| 35FH4005A84SP | IEC FH W/GRSR, NO DIMPLES W/AUTOPHERETIC | 1.000 EA |
| 51XW1032A06 | 10-32 X .38, TAPTITE II, HEX WSHR SLTD S | 3.000 EA |
| 35CB4521 | 35 LIPPED CB LID (GALV & PHOSPH) | 1.000 EA |
| 35GS1030 | 35 GS FOR CB LID - LEXIDE | 1.000 EA |
| 51XW0832A07 | 8-32 X .44, TAPTITE II, HEX WSHR SLTD SE | 4.000 EA |
| HW2501D13SP | KEY, 3/16 SQ X 1.375 | 1.000 EA |
| HA7000A01 | KEY RETAINER 7/8" DIA SHAFT | 1.000 EA |
| 85XU0407S04 | 4X1/4 U DRIVE PIN STAINLESS | 2.000 EA |

| Parts List (continued) | | |
|------------------------|---|----------|
| Part Number | Description | Quantity |
| MJ1000A75 | GREASE, POLYREX EM EXXON | 0.050 LB |
| MG1000G27 | PAINT- S9282E CHARCOAL GREY | 0.017 GA |
| HA3100A15 | THRUBOLT 10-32 X 8.375 | 4.000 EA |
| LC0005E01 | CONN.DIA./WARNING LABEL (LC0005/LB1119) | 1.000 EA |
| LB1125C04 | STD-E (STOCK CTN LABEL STD-E WITH FLAG) | 1.000 EA |
| NP1256L | ALUM, UL CSA CC, W/O THERMAL, LASER | 1.000 EA |
| PA1000 | PACKING GROUP 3500 SHORT | 1.000 EA |

| Accessories | | |
|--------------------|--------------------|-------------------|
| Part Number | Description | Multiplier |
| 35-8762 | C FACE KIT | A8 |
| 35EP1506A01SP | D-FLANGE KIT | A8 |

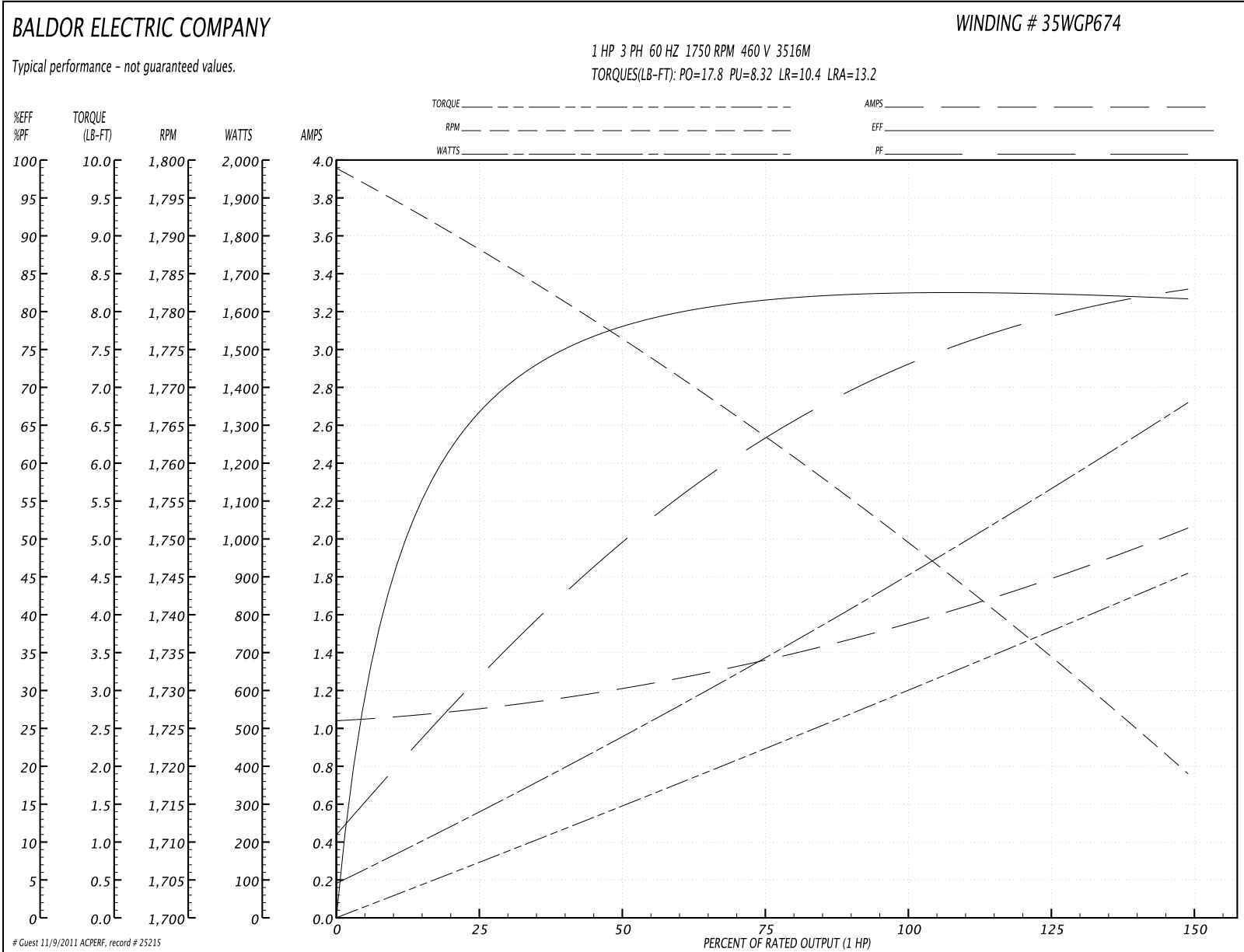
Performance Data at 460V, 60Hz, 1.0HP (Typical performance - Not guaranteed values)
General Characteristics

| | | | |
|---------------------------------|--------------------------------|-----------------------------|------------|
| Full Load Torque: | 2.99 LB-FT | Start Configuration: | DOL |
| No-Load Current: | 1.04 Amps | Break-Down Torque: | 17.8 LB-FT |
| Line-line Res. @ 25°C.: | 16.3 Ohms A Ph / 0.0 Ohms B Ph | Pull-Up Torque: | 8.32 LB-FT |
| Temp. Rise @ Rated Load: | 41 C | Locked-Rotor Torque: | 10.4 LB-FT |
| Temp. Rise @ S.F. Load: | 50 C | Starting Current: | 13.2 Amps |

Load Characteristics

| % of Rated Load | 25 | 50 | 75 | 100 | 125 | 150 | S.F. |
|------------------------|-----------|-----------|-----------|------------|------------|------------|-------------|
| Power Factor: | 32.0 | 50.0 | 63.0 | 73.0 | 79.0 | 83.0 | 77.0 |
| Efficiency: | 66.7 | 77.9 | 81.3 | 82.6 | 82.6 | 81.6 | 82.6 |
| Speed: | 1788.0 | 1776.0 | 1764.0 | 1750.0 | 1735.0 | 1719.0 | 1741.0 |
| Line Amperes: | 1.11 | 1.2 | 1.36 | 1.56 | 1.77 | 2.06 | 1.69 |

Performance Graph at 460V, 60Hz, 1.0HP Typical performance - Not guaranteed values



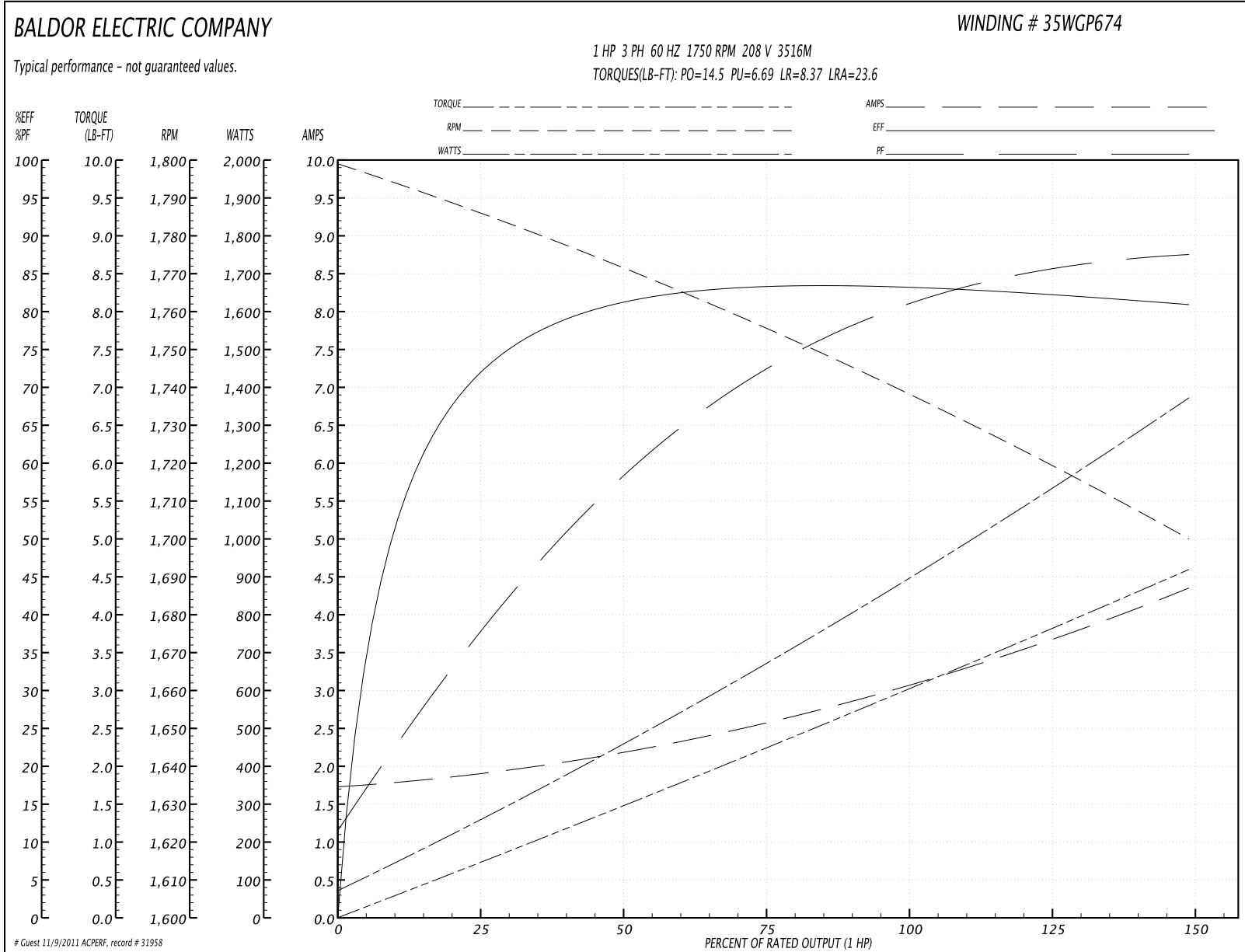
Performance Data at 208V, 60Hz, 1.0HP (Typical performance - Not guaranteed values)
General Characteristics

| | | | |
|---------------------------------|--------------------------------|-----------------------------|------------|
| Full Load Torque: | 3.01 LB-FT | Start Configuration: | DOL |
| No-Load Current: | 1.74 Amps | Break-Down Torque: | 14.5 LB-FT |
| Line-line Res. @ 25°C.: | 4.09 Ohms A Ph / 0.0 Ohms B Ph | Pull-Up Torque: | 6.69 LB-FT |
| Temp. Rise @ Rated Load: | 39 C | Locked-Rotor Torque: | 8.37 LB-FT |
| Temp. Rise @ S.F. Load: | 46 C | Starting Current: | 23.6 Amps |

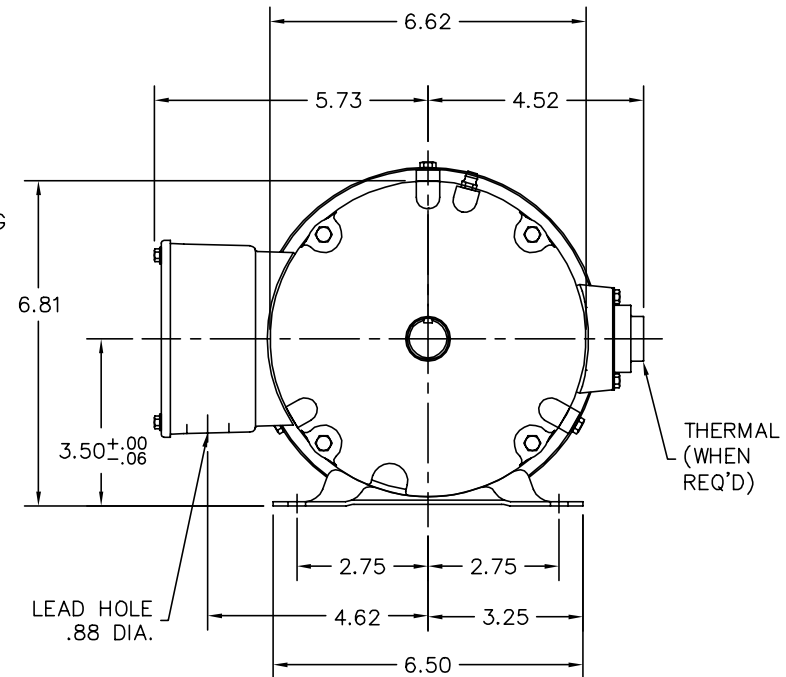
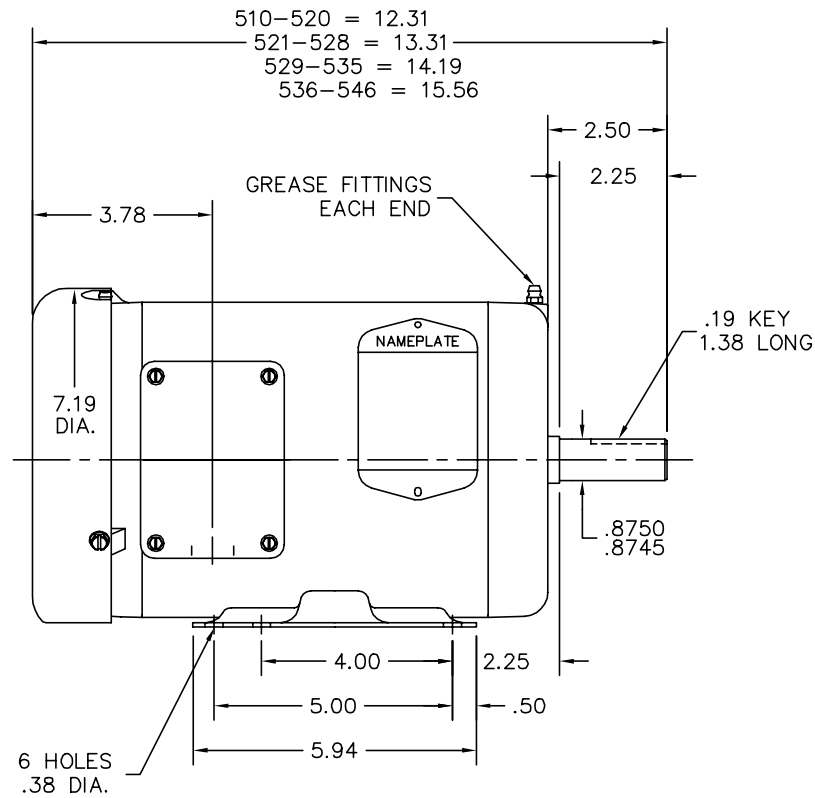
Load Characteristics

| % of Rated Load | 25 | 50 | 75 | 100 | 125 | 150 | S.F. |
|----------------------|--------|--------|--------|--------|--------|--------|--------|
| Power Factor: | 39.0 | 59.0 | 72.0 | 80.0 | 86.0 | 88.0 | 84.0 |
| Efficiency: | 71.5 | 81.0 | 83.3 | 83.4 | 82.5 | 80.8 | 82.9 |
| Speed: | 1786.0 | 1771.0 | 1756.0 | 1739.0 | 1720.0 | 1700.0 | 1728.0 |
| Line Amperes: | 1.9 | 2.16 | 2.57 | 3.09 | 3.63 | 4.35 | 3.41 |

Performance Graph at 208V, 60Hz, 1.0HP Typical performance - Not guaranteed values



35LYA001



CUSTOMER IS RESPONSIBLE FOR DETERMINING THAT BALDOR'S PRODUCT WILL PERFORM SUITABLY IN THE INTENDED APPLICATION.

| | | |
|---------------------------------|-------------|------------------------------|
| REV. DESC: UPDATE KOLD GRAPHICS | | |
| REV. LTR: V | VERSION: 04 | TDR: 000000486011 |
| FILE: \AAA\00002\318 | | REVISED: 13:05:46 12/30/2008 |
| MTL: - | | BY: ENCHEBO |

BALDOR • DODGE • RELIANCE

STD HORZ 143-5T TEFC 35M

SH 1 of 1

35LYA001

CD0005

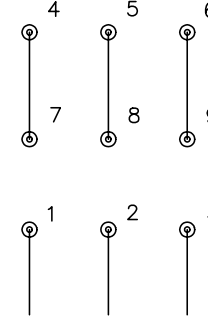


LOW VOLTAGE
(2Y)



LINE

HIGH VOLTAGE
(1Y)



LINE

NOTES:

1. INTERCHANGE ANY TWO LINE LEADS TO REVERSE ROTATION.
2. OPTIONAL THERMOSTATS ARE PROVIDED WHEN SPECIFIED.
3. ACTUAL NUMBER OF INTERNAL PARALLEL CIRCUITS MAY BE A MULTIPLE OF THOSE SHOWN ABOVE.
4. LEAD COLORS ARE OPTIONAL. LEADS MUST ALWAYS BE NUMBERED AS SHOWN.

| | | | |
|---|---------|-------------------------|--------------|
| REV. DESC: REVISE TO SHOW OPTIONAL COLORS | | | |
| REV. LTR: E | BY: JLP | REVISED: 01/19/99 10:15 | TDR: 0171435 |
| 90000 | | FILE: AAA00005140 | MDL: - |
| | | MTL: - | |

BALDOR ELECTRIC Co.

3PH, DV, 9 LEADS

CD0005