

BALDOR® • ***RELIANCE***

Product Information Packet

ELECTRIC MOTOR WHOLESAL.COM

M3555T

2HP,3450RPM,3PH,60HZ,145T,3526M,TEFC,F1

Part Detail							
Revision:	H	Status:	INA/A	Change #:		Proprietary:	No
Type:	AC	Prod. Type:	3526M	Elec. Spec:	35WGT962	CD Diagram:	
Enclosure:	TEFC	Mfg Plant:		Mech. Spec:	35T638	Layout:	
Frame:	145T	Mounting:	F1	Poles:	02	Created Date:	06-22-2007
Base:	RG	Rotation:	R	Insulation:	B	Eff. Date:	12-15-2008
Leads:	9#18	Literature:		Elec. Diagram:		Replaced By:	

Nameplate NP1256L									
CAT.NO.	M3555T								
SPEC.	35T638T962H1								
HP	2								
VOLTS	208-230/460								
AMP	5.6-5.2/2.6								
RPM	3450								
FRAME	145T	HZ			60	PH	3		
SER.F.	1.15	CODE			L	DES	B	CLASS	B
NEMA-NOM-EFF	84	PF			88				
RATING	40C AMB-CONT								
CC	010A	USABLE AT 208V			5.6				
DE	6205	ODE			6203				
ENCL	TEFC	SN							

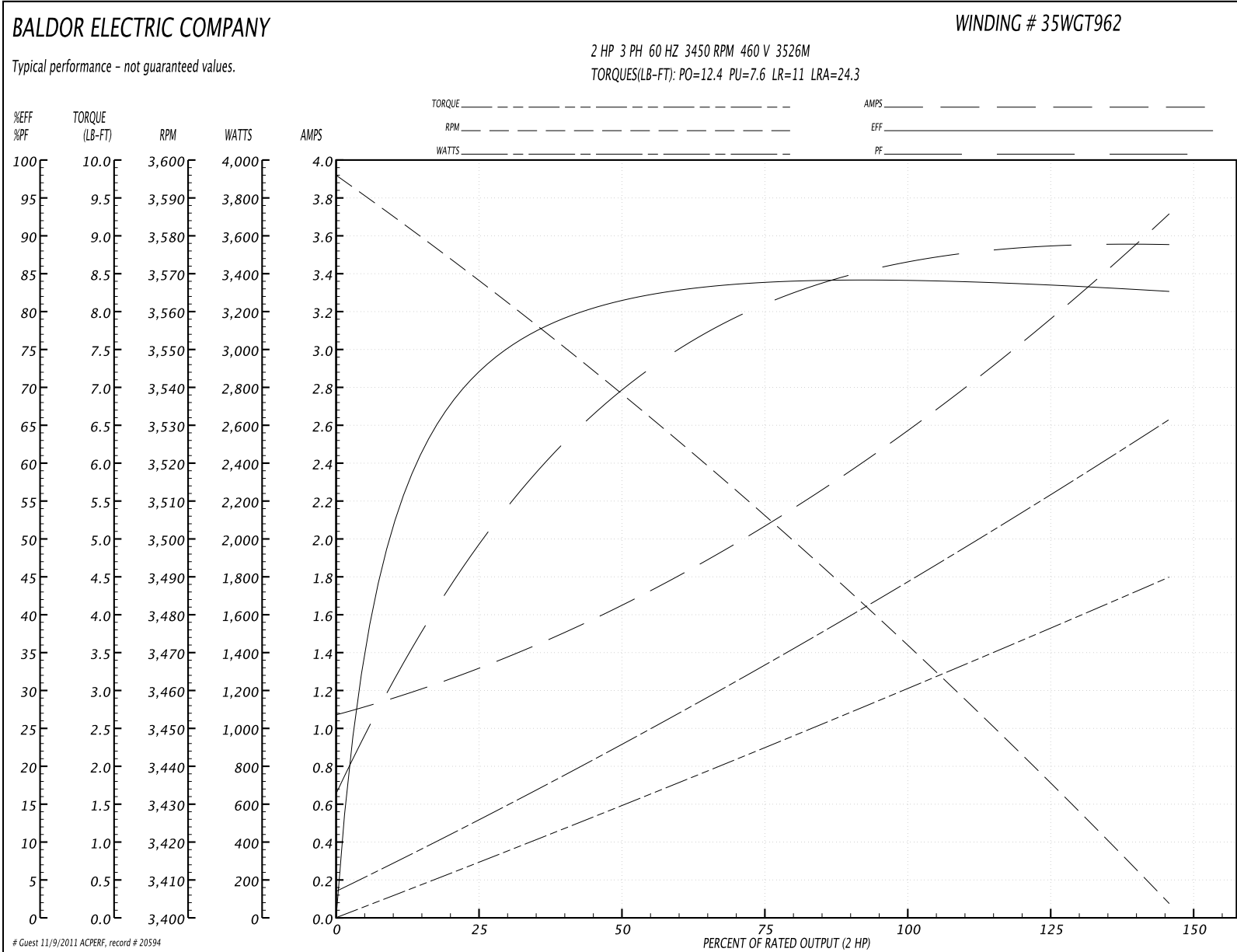
Parts List		
Part Number	Description	Quantity
SA107281	SA 35T638T962H1	1.000 EA
RA098911	RA 35T638T962H1	1.000 EA
34FN3002A01SP	EXTERNAL FAN, PLASTIC, .637/.639 HUB W/	1.000 EA
S/P101-000-000	EPACT PROCEDURES-FS PLANT-POLYREX EM, NO	1.000 EA
NS2512A01	INSULATOR, CONDUIT BOX X	1.000 EA
35CB3007	35 CB CASTING W/.88 DIA. LEAD HOLE	1.000 EA
36GS1000SP	GASKET-CONDUIT BOX, .06 THICK #SV-330 LE	1.000 EA
51XB1016A07	10-16 X 7/16 HXWSSLD SERTYB	2.000 EA
11XW1032G06	10-32 X .38, TAPTITE II, HEX WSHR SLTD U	1.000 EA
35EP3100M01	FREP TEFC 203 BRG W/GRSR (RAISED FH PADS	1.000 EA
HW4500A01	1641B(ALEMITE)400 UNIV, GREASE FITT	1.000 EA
HW5100A03SP	WAVY WASHER (W1543-017)	1.000 EA
35EP3101A01SP	STD PU EP-ENCLOSED-205 BRG-W/GREASER	1.000 EA
HW4500A01	1641B(ALEMITE)400 UNIV, GREASE FITT	1.000 EA
XY1032A02	10-32 HEX NUT DIRECTIONAL SERRATION	4.000 EA
35FH4005A84SP	IEC FH W/GRSR, NO DIMPLES W/AUTOPHERETIC	1.000 EA
51XW1032A06	10-32 X .38, TAPTITE II, HEX WSHR SLTD S	3.000 EA
35CB4521	35 LIPPED CB LID (GALV & PHOSPH)	1.000 EA
35GS1030	35 GS FOR CB LID - LEXIDE	1.000 EA
51XW0832A07	8-32 X .44, TAPTITE II, HEX WSHR SLTD SE	4.000 EA
HW2501D13SP	KEY, 3/16 SQ X 1.375	1.000 EA
HA7000A01	KEY RETAINER 7/8" DIA SHAFT	1.000 EA
10XF0440S02	04-40 X 1/8 TYPE F HEX HD STAINLESS STIC	2.000 EA
MJ1000A75	GREASE, POLYREX EM EXXON	0.050 LB

Parts List (continued)		
Part Number	Description	Quantity
MG1000G27	PAINT- S9282E CHARCOAL GREY	0.017 GA
HA3100A18	THRUBOLT 10-32 X 9.250	4.000 EA
LB1125C04	STD-E (STOCK CTN LABEL STD-E WITH FLAG)	1.000 EA
LC0005E01	CONN.DIA./WARNING LABEL (LC0005/LB1119)	1.000 EA
NP1256L	ALUM, UL CSA CC, W/O THERMAL, LASER	1.000 EA
PA1000	PACKING GROUP 3500 SHORT	1.000 EA

Accessories		
Part Number	Description	Multiplier
35-8762	C FACE KIT	A8
35EP1506A01SP	D-FLANGE KIT	A8

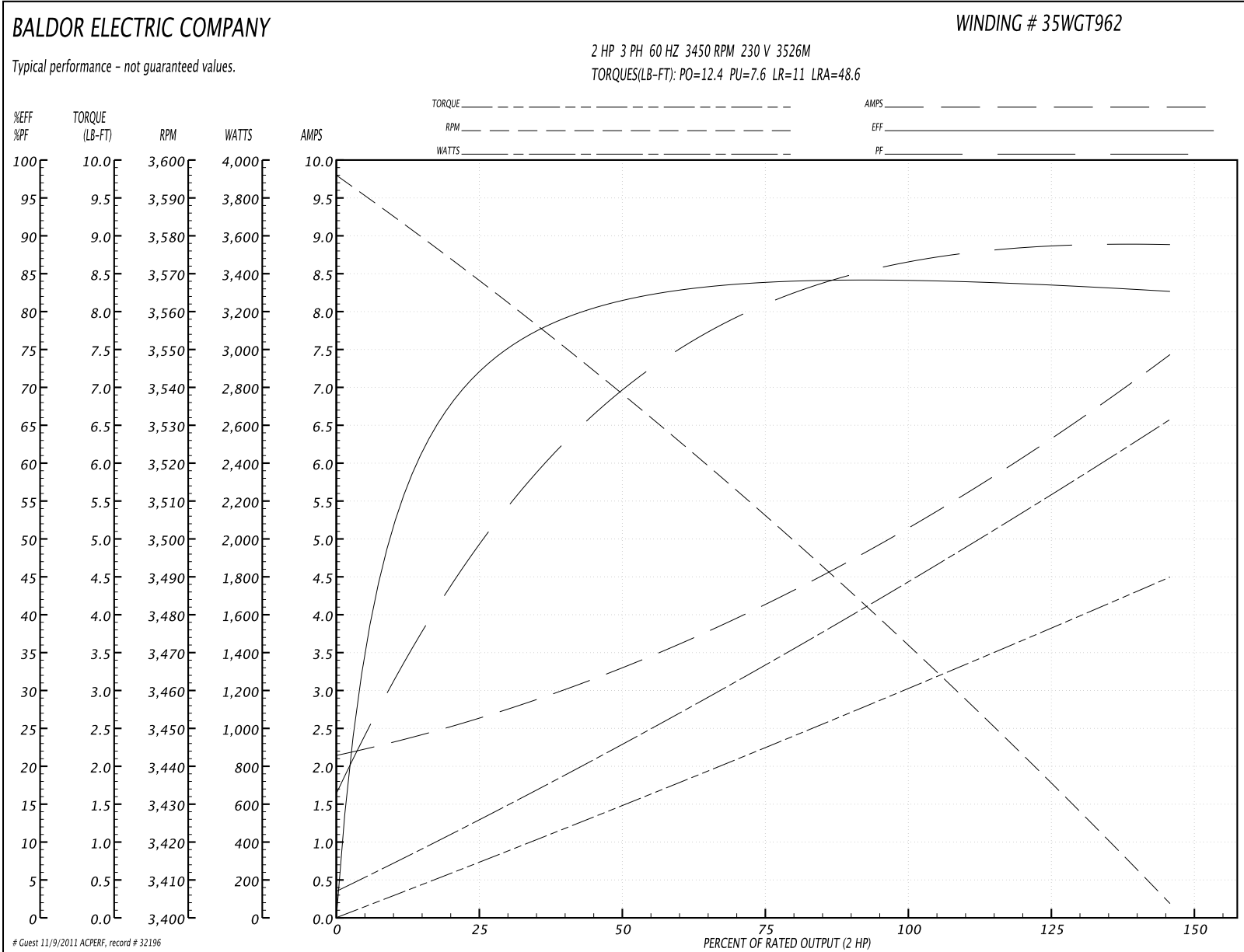
Performance Data at 460V, 60Hz, 2.0HP (Typical performance - Not guaranteed values)							
General Characteristics							
Full Load Torque:	3.0 LB-FT			Start Configuration:	DOL		
No-Load Current:	1.1 Amps			Break-Down Torque:	12.4 LB-FT		
Line-line Res. @ 25°C.:	7.86 Ohms A Ph / 0.0 Ohms B Ph			Pull-Up Torque:	7.6 LB-FT		
Temp. Rise @ Rated Load:	47 C			Locked-Rotor Torque:	11.0 LB-FT		
Temp. Rise @ S.F. Load:	55 C			Starting Current:	24.3 Amps		
Load Characteristics							
% of Rated Load	25	50	75	100	125	150	S.F.
Power Factor:	50.0	73.0	80.0	85.0	89.0	89.0	87.0
Efficiency:	72.7	81.2	83.8	84.2	83.7	82.6	83.9
Speed:	3563.0	3537.0	3507.0	3475.0	3440.0	3402.0	3454.0
Line Amperes:	1.3	1.6	2.1	2.6	3.1	3.7	2.9

Performance Graph at 460V, 60Hz, 2.0HP Typical performance - Not guaranteed values

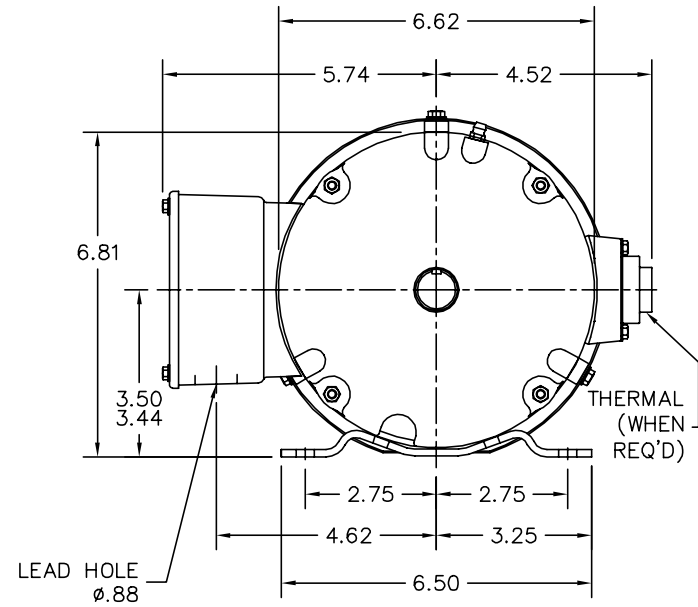
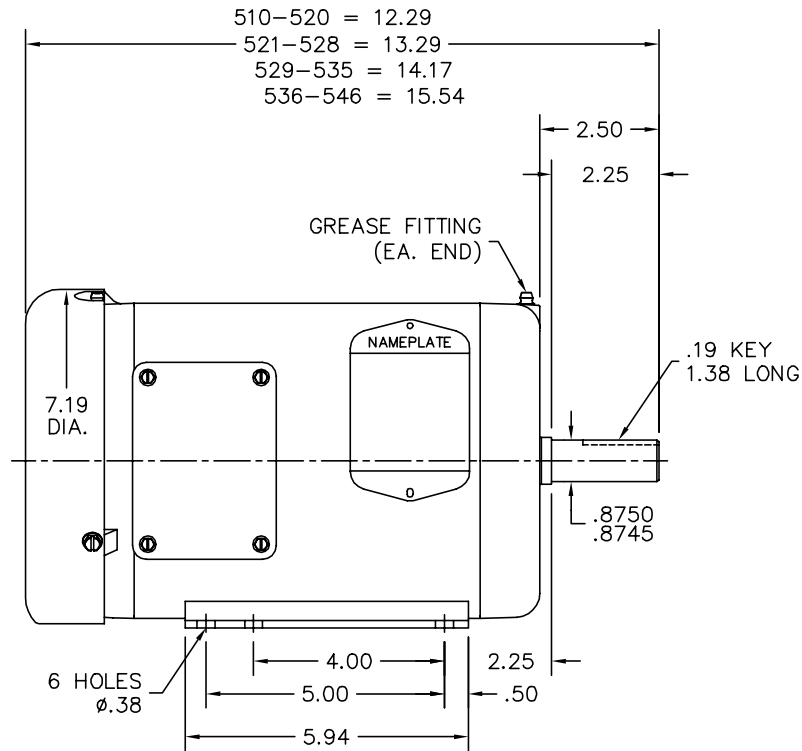


Performance Data at 230V, 60Hz, 2.0HP (Typical performance - Not guaranteed values)							
General Characteristics							
Full Load Torque:	3.0 LB-FT			Start Configuration:	DOL		
No-Load Current:	2.2 Amps			Break-Down Torque:	12.4 LB-FT		
Line-line Res. @ 25°C.:	1.77 Ohms A Ph / 0.0 Ohms B Ph			Pull-Up Torque:	7.6 LB-FT		
Temp. Rise @ Rated Load:	47 C			Locked-Rotor Torque:	11.0 LB-FT		
Temp. Rise @ S.F. Load:	55 C			Starting Current:	48.6 Amps		
Load Characteristics							
% of Rated Load	25	50	75	100	125	150	S.F.
Power Factor:	50.0	73.0	80.0	85.0	89.0	89.0	87.0
Efficiency:	72.7	81.2	83.8	84.2	83.7	82.6	83.9
Speed:	3563.0	3537.0	3507.0	3475.0	3440.0	3402.0	3454.0
Line Amperes:	2.6	3.2	4.2	5.2	6.2	7.4	5.8

Performance Graph at 230V, 60Hz, 2.0HP Typical performance - Not guaranteed values



35LYT638



CUSTOMER IS RESPONSIBLE FOR DETERMINING THAT BALDOR'S PRODUCT WILL PERFORM SUITABLY IN THE INTENDED APPLICATION.

REV. DESC: UPDATE FREP AND FAN HOUSING (SEE ZTR02 NOTES)		
REV. LTR: C	VERSION: 03	TDR: 000000580046
FILE: \AAA\00106\650		REVISED: 08:51:08 02/11/2011
MTL: -		BY: ENBENBO

BALDOR

HOR 143-5T TEFC 35M 2 POLE "W" BASE (35BA4009)

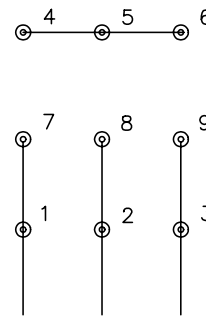
SH 1 of 1

35LYT638

CD0005



LOW VOLTAGE
(2Y)



LINE

HIGH VOLTAGE
(1Y)



LINE

NOTES:

1. INTERCHANGE ANY TWO LINE LEADS TO REVERSE ROTATION.
2. OPTIONAL THERMOSTATS ARE PROVIDED WHEN SPECIFIED.
3. ACTUAL NUMBER OF INTERNAL PARALLEL CIRCUITS MAY BE A MULTIPLE OF THOSE SHOWN ABOVE.
4. LEAD COLORS ARE OPTIONAL. LEADS MUST ALWAYS BE NUMBERED AS SHOWN.

REV. DESC: REVISE TO SHOW OPTIONAL COLORS

REV. LTR: E BY: JLP

REVISED: 01/19/99 10:15

TDR: 0171435

90000

FILE: AAA00005140

MDL: -

MTL: -

BALDOR ELECTRIC Co.

3PH, DV, 9 LEADS

CD0005