

BALDOR® • ***RELIANCE***

Product Information Packet

ELECTRIC MOTOR WHOLESAL.COM

M3708T

5HP,1160RPM,3PH,60HZ,215T,3735M,TEFC,F1

| Part Detail | | | | | | | |
|-------------|------|-------------|-------|----------------|----------|---------------|------------|
| Revision: | P | Status: | INA/A | Change #: | | Proprietary: | No |
| Type: | AC | Prod. Type: | 3735M | Elec. Spec: | 37WGY833 | CD Diagram: | |
| Enclosure: | TEFC | Mfg Plant: | | Mech. Spec: | 37G813 | Layout: | |
| Frame: | 215T | Mounting: | F1 | Poles: | 06 | Created Date: | |
| Base: | RG | Rotation: | R | Insulation: | F | Eff. Date: | 01-20-2011 |
| Leads: | 9#14 | Literature: | | Elec. Diagram: | | Replaced By: | |

| Nameplate NP1256L | | | | | | | | | |
|-------------------|---------------|----------------|--|--|------|-----|---|-------|---|
| CAT.NO. | | | | | | | | | |
| SPEC. | 37G813Y833H1 | | | | | | | | |
| HP | 5 | | | | | | | | |
| VOLTS | 208-230/460 | | | | | | | | |
| AMP | 16.3-16.2/8.1 | | | | | | | | |
| RPM | 1160 | | | | | | | | |
| FRAME | 215T | HZ | | | 60 | PH | 3 | | |
| SER.F. | 1.15 | CODE | | | K | DES | A | CLASS | F |
| NEMA-NOM-EFF | 87.5 | PF | | | 65 | | | | |
| RATING | 40C AMB-CONT | | | | | | | | |
| CC | 010A | USABLE AT 208V | | | 16.3 | | | | |
| DE | 6307 | ODE | | | 6206 | | | | |
| ENCL | TEFC | SN | | | | | | | |
| | | | | | | | | | |

| Parts List | | |
|----------------|--|----------|
| Part Number | Description | Quantity |
| SA047957 | SA 37G813Y833H1 | 1.000 EA |
| RA043188 | RA 37G813Y833H1 | 1.000 EA |
| S/P101-000-000 | EPACT PROCEDURES-FS PLANT-POLYREX EM, NO | 1.000 EA |
| HW3200A01 | 3/8-16X3/4 I-BLT WELDED F/S | 1.000 EA |
| 37CB3006 | 37 CB CASTING W/1.38 LEAD HOLE @ 6:00 | 1.000 EA |
| 37GS1000SP | GASKET, CONDUIT BOX STD., .06 THICK LEXI | 1.000 EA |
| 51XW2520A12 | .25-20 X .75, TAPTITE II, HEX WSHR SLTD | 2.000 EA |
| 11XW1032G06 | 10-32 X .38, TAPTITE II, HEX WSHR SLTD U | 1.000 EA |
| 37EP3101A01SP | FR ENDPLATE,TEFC, 37 L&M, W/GREASER | 1.000 EA |
| HW4500A01 | 1641B(ALEMITE)400 UNIV, GREASE FITT | 1.000 EA |
| HW5100A06 | W2420-025 WVY WSHR (WB) | 1.000 EA |
| 37EP3100A01SP | STD PU ENDPLATE, ENCL,37 "T"-307 BRG, W/ | 1.000 EA |
| HW4500A01 | 1641B(ALEMITE)400 UNIV, GREASE FITT | 1.000 EA |
| XY3118A12 | 5/16-18 HEX NUT DIRECTIONAL SERRATION | 4.000 EA |
| 51XB1214A20 | 12-14X1.25 HXWSSLD SERTYB | 1.000 EA |
| 07FH4007SP | IEC FH W/GRSR, NOTCH @ 6:00 & 3 FAN CVR | 1.000 EA |
| 51XW1032A06 | 10-32 X .38, TAPTITE II, HEX WSHR SLTD S | 3.000 EA |
| 37CB4516 | LIPPED LID FOR 37 FRAME NEC KOBX | 1.000 EA |
| 37GS1008SP | 37 GS FOR CB LID - LEXIDE | 1.000 EA |
| 51XW0832A07 | 8-32 X .44, TAPTITE II, HEX WSHR SLTD SE | 4.000 EA |
| HW2501F21 | KEY, 5/16 SQ X 2.375 | 1.000 EA |
| HA7000A02 | KEY RETAINER RING, 1 1/8 DIA, 1 3/8 DIA | 1.000 EA |
| 85XU0407S04 | 4X1/4 U DRIVE PIN STAINLESS | 2.000 EA |
| LB1115 | LABEL,LIFTING DEVICE | 1.000 EA |

| Parts List (continued) | | |
|------------------------|---|----------|
| Part Number | Description | Quantity |
| MJ1000A75 | GREASE, POLYREX EM EXXON | 0.050 LB |
| 36FN3000C02 | EXFN, PLASTIC, 5.25 OD, 1.175 ID | 1.000 EA |
| MG1000G27 | PAINT- S9282E CHARCOAL GREY | 0.028 GA |
| HA3104A14 | THRUBOLT- 5/16-18 X12.125(OHIO) | 4.000 EA |
| LB1125C04 | STD-E (STOCK CTN LABEL STD-E WITH FLAG) | 1.000 EA |
| LC0005E01 | CONN.DIA./WARNING LABEL (LC0005/LB1119) | 1.000 EA |
| 36PA1001 | PACKAGING GROUP | 1.000 EA |
| NP1256L | ALUM, UL CSA CC, W/O THERMAL, LASER | 1.000 EA |

| Accessories | | |
|-------------|-------------|------------|
| Part Number | Description | Multiplier |
| 37-3301 | \ FACE KIT | P1 |

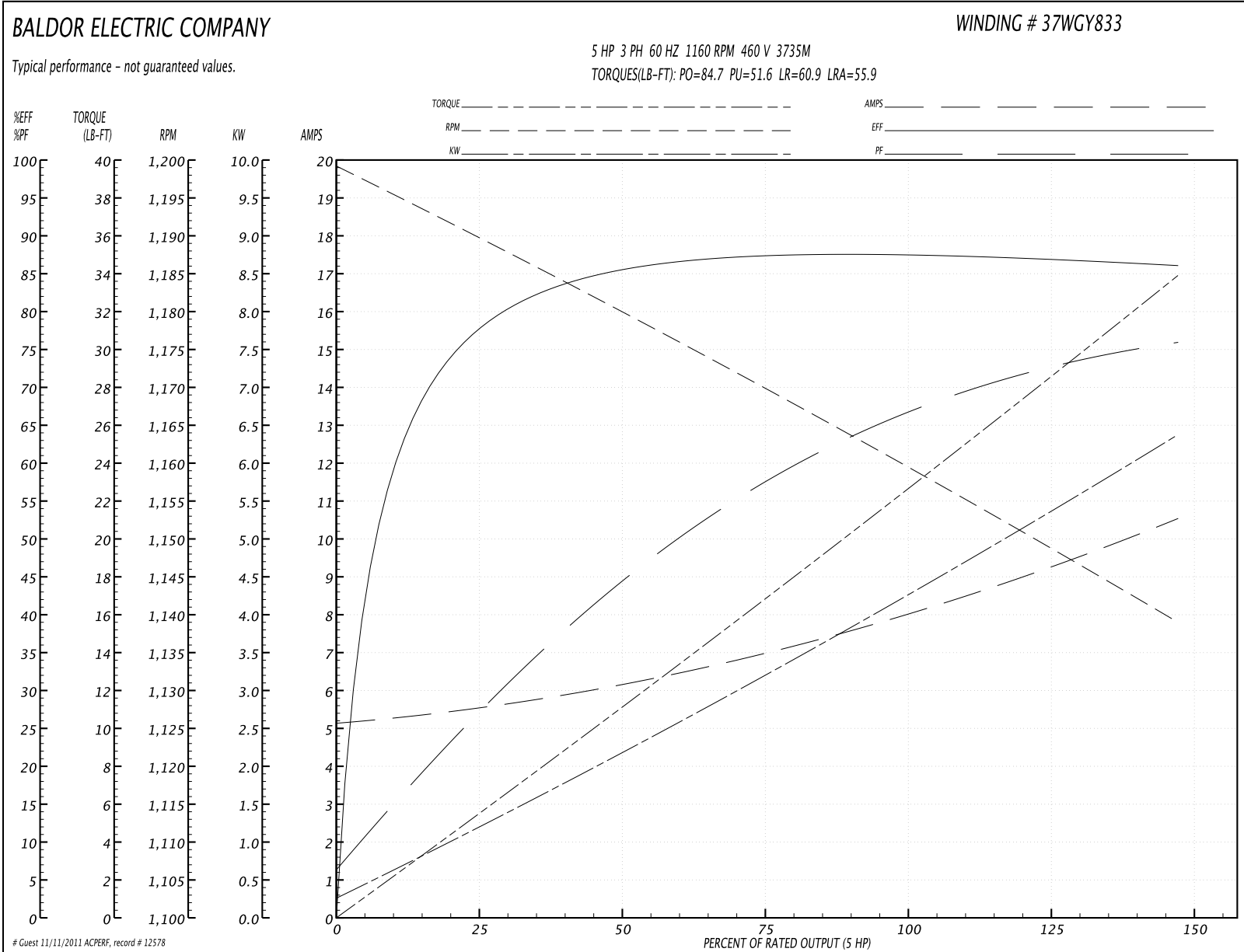
Performance Data at 460V, 60Hz, 5.0HP (Typical performance - Not guaranteed values)
General Characteristics

| | | | |
|---------------------------------|--------------------------------|-----------------------------|------------|
| Full Load Torque: | 22.6 LB-FT | Start Configuration: | DOL |
| No-Load Current: | 5.3 Amps | Break-Down Torque: | 84.7 LB-FT |
| Line-line Res. @ 25°C.: | 1.63 Ohms A Ph / 0.0 Ohms B Ph | Pull-Up Torque: | 51.6 LB-FT |
| Temp. Rise @ Rated Load: | 63 C | Locked-Rotor Torque: | 60.9 LB-FT |
| Temp. Rise @ S.F. Load: | 74 C | Starting Current: | 55.9 Amps |

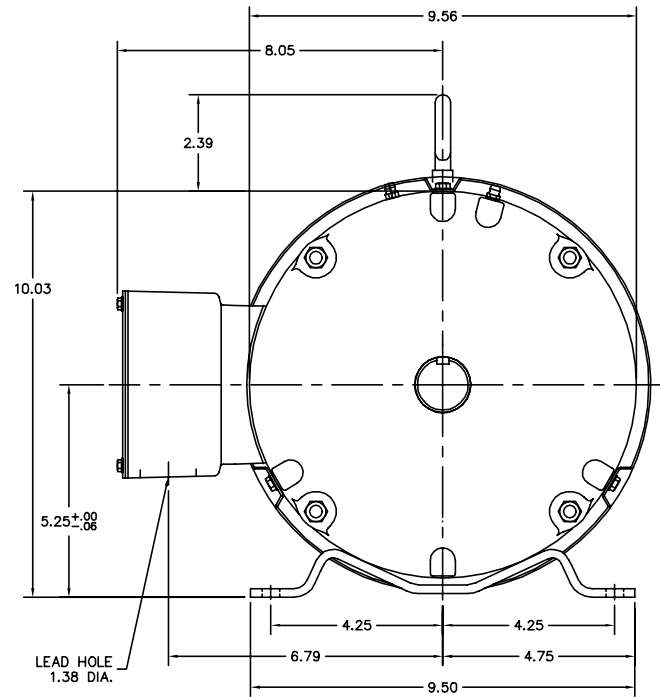
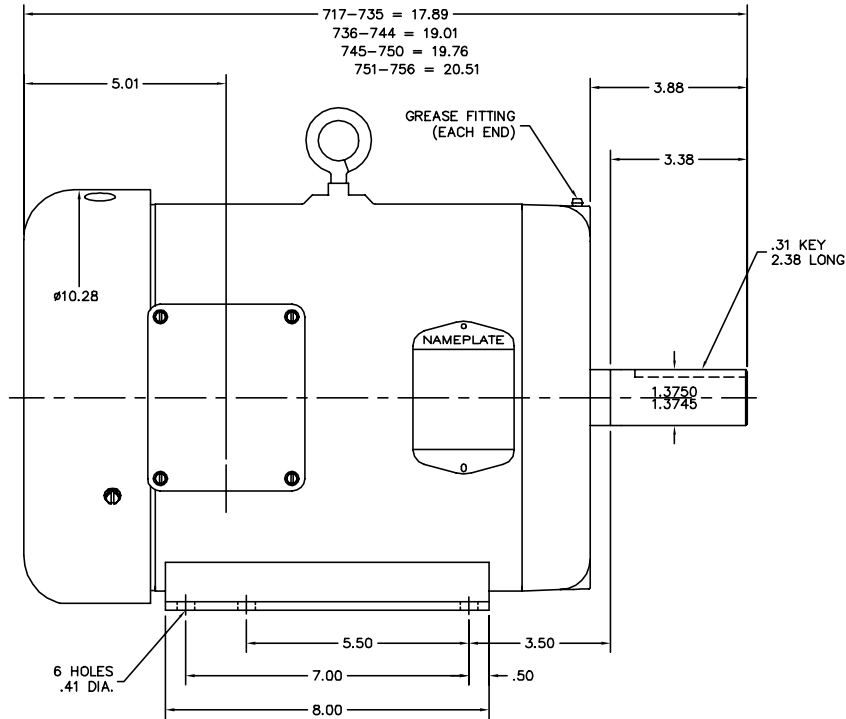
Load Characteristics

| % of Rated Load | 25 | 50 | 75 | 100 | 125 | 150 | S.F. |
|------------------------|-----------|-----------|-----------|------------|------------|------------|-------------|
| Power Factor: | 29.0 | 46.0 | 58.0 | 66.0 | 70.0 | 78.0 | 68.0 |
| Efficiency: | 77.6 | 85.5 | 87.4 | 87.6 | 87.0 | 86.0 | 87.2 |
| Speed: | 1189.0 | 1181.0 | 1170.0 | 1159.0 | 1148.0 | 1140.0 | 1152.0 |
| Line Amperes: | 5.4 | 6.0 | 7.0 | 8.1 | 9.5 | 10.3 | 8.9 |

Performance Graph at 460V, 60Hz, 5.0HP Typical performance - Not guaranteed values



37LYG813



CUSTOMER IS RESPONSIBLE FOR DETERMINING THAT MOTOR PERFORMANCE IS SUITABLE IN THE APPLICATION.

| | | | |
|-------------------------------------|---------|------------------------------|-------------|
| REV. DESC: ADDED KOBX LEAD HOLE DIM | | | |
| REV. LTR: F | BY: RMP | REVISED: 16:06:08 09/08/2004 | TDR: 342766 |
| FILE: AAA00050966 | | REF: 37LYG813 | |
| MTL: - | | | |

BALDOR ELECTRIC Co.

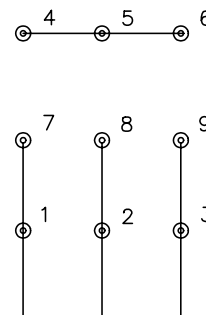
HORZ 213-5T TEFC 37M W/EPACT SHOVE

37LYG813

CD0005



LOW VOLTAGE
(2Y)



LINE

HIGH VOLTAGE
(1Y)



LINE

NOTES:

1. INTERCHANGE ANY TWO LINE LEADS TO REVERSE ROTATION.
2. OPTIONAL THERMOSTATS ARE PROVIDED WHEN SPECIFIED.
3. ACTUAL NUMBER OF INTERNAL PARALLEL CIRCUITS MAY BE A MULTIPLE OF THOSE SHOWN ABOVE.
4. LEAD COLORS ARE OPTIONAL. LEADS MUST ALWAYS BE NUMBERED AS SHOWN.

| | | | |
|---|---------|-------------------------|--------------|
| REV. DESC: REVISE TO SHOW OPTIONAL COLORS | | | |
| REV. LTR: E | BY: JLP | REVISED: 01/19/99 10:15 | TDR: 0171435 |
| 900000 | | FILE: AAA00005140 | MDL: - |
| | | MTL: - | |

BALDOR ELECTRIC Co.

3PH, DV, 9 LEADS

CD0005