

# **BALDOR® • RELIANCE**

**Product Information Packet**

**ELECTRIC MOTOR WHOLESAL.COM**

**M4103T-12**

**25HP,1760RPM,3PH,60HZ,284T,0956M,TEFC,F1**

| Part Detail |       |             |       |                |          |               |            |
|-------------|-------|-------------|-------|----------------|----------|---------------|------------|
| Revision:   | Q     | Status:     | INA/A | Change #:      |          | Proprietary:  | No         |
| Type:       | AC    | Prod. Type: | 0956M | Elec. Spec:    | 09WGY466 | CD Diagram:   |            |
| Enclosure:  | TEFC  | Mfg Plant:  |       | Mech. Spec:    | 09F436   | Layout:       |            |
| Frame:      | 284T  | Mounting:   | F1    | Poles:         | 04       | Created Date: |            |
| Base:       | RG    | Rotation:   | R     | Insulation:    | F        | Eff. Date:    | 10-23-2009 |
| Leads:      | 12#10 | Literature: |       | Elec. Diagram: |          | Replaced By:  |            |

**Nameplate NP1256L**

|              |              |                |      |     |   |       |   |
|--------------|--------------|----------------|------|-----|---|-------|---|
| CAT.NO.      | M4103T-12    |                |      |     |   |       |   |
| SPEC.        | 09F436Y466H1 |                |      |     |   |       |   |
| HP           | 25           |                |      |     |   |       |   |
| VOLTS        | 230/460      |                |      |     |   |       |   |
| AMP          | 58/29        |                |      |     |   |       |   |
| RPM          | 1760         |                |      |     |   |       |   |
| FRAME        | 284T         | HZ             | 60   | PH  | 3 |       |   |
| SER.F.       | 1.15         | CODE           | H    | DES | B | CLASS | F |
| NEMA-NOM-EFF | 92.4         | PF             | 84   |     |   |       |   |
| RATING       | 40C AMB-CONT |                |      |     |   |       |   |
| CC           | 010A         | USABLE AT 208V | 63   |     |   |       |   |
| DE           | 6311         | ODE            | 6208 |     |   |       |   |
| ENCL         | TEFC         | SN             |      |     |   |       |   |
|              |              |                |      |     |   |       |   |

| Parts List     |  |          |
|----------------|--|----------|
| Part Number    | Description                              | Quantity |
| SA081144       | SA 09F436Y466H1                          | 1.000 EA |
| RA074523       | RA 09F436Y466H1                          | 1.000 EA |
| S/P101-000-003 | EPACT PROC-ZK 280FR & UP,LARGE KOBX,POLY | 1.000 EA |
| 10CB3000SP     | STD KO BOX MODEL 310,312,314 MTRS W/2.00 | 1.000 EA |
| 12GS1000SP     | GASKET                                   | 1.000 EA |
| 10XN3118K12    | 5/16-18 X .75 GRADE 5, ZINC PLATED       | 4.000 EA |
| HW1001A31      | LOCKWASHER 5/16, ZINC PLT.591 OD, .319 I | 4.000 EA |
| WD1000B16      | KPA-4C BURNDY TERMINAL                   | 1.000 EA |
| 11XW1032G06    | 10-32 X .38, TAPTITE II, HEX WSHR SLTD U | 1.000 EA |
| 09EP1100A14SP  | ENDPLATE, MACH                           | 1.000 EA |
| XY3816A12      | 3/8-16 FINISHED NUT                      | 4.000 EA |
| HW1001A38      | LOCKWASHER 3/8, ZINC PLT .688 OD, .382 I | 4.000 EA |
| HW5100A08      | W3118-035 WVY WSHR (WB)                  | 1.000 EA |
| 10XN2520K28    | 1/4-20 X 1.75" HX HD SCRWGRADE 5, ZINC P | 2.000 EA |
| HW1001A25      | LOCKWASHER 1/4, ZINC PLT .493 OD, .255 I | 2.000 EA |
| 09EP1116A01    | PU ENDPLATE, MACH                        | 1.000 EA |
| HA3113A15      | THRUBOLT 3/8-16 X 18.875 W/3.50 THD LENG | 4.000 EA |
| HW1001A38      | LOCKWASHER 3/8, ZINC PLT .688 OD, .382 I | 4.000 EA |
| 10XN3118K40    | 5/16-18 X 2.50" HEX HD, GRADE 5          | 4.000 EA |
| HW1001A31      | LOCKWASHER 5/16, ZINC PLT.591 OD, .319 I | 4.000 EA |
| 09FH4000SP     | FAN COVER, STAMPED                       | 1.000 EA |
| HA2081A05      | SPACER TUBE, 309 FAN HSG, 2.00 LONG      | 4.000 EA |
| XY3816A12      | 3/8-16 FINISHED NUT                      | 4.000 EA |
| 10CB3500SP     | CONDUIT BOX LID, CAST                    | 1.000 EA |

| Parts List (continued) |  |          |
|------------------------|--|----------|
| Part Number            | Description                              | Quantity |
| 10GS1000SP             | GASKET, CONDUIT BOX LID                  | 1.000 EA |
| 51XW2520A12            | .25-20 X .75, TAPTITE II, HEX WSHR SLTD  | 4.000 EA |
| HW4600B40              | V-RING SLINGER 2.000 X 2.680 X 0.280     | 1.000 EA |
| HW2501H28              | KEY, 1/2 SQ X 3.250                      | 1.000 EA |
| LB1115                 | LABEL,LIFTING DEVICE                     | 1.000 EA |
| LB5040                 | INSTRUCTION TAG, AC & DC                 | 1.000 EA |
| HW4500A05              | 1669B ALEM/UNIV860 GR FTG X              | 1.000 EA |
| HW4500A17              | 317400 ALEMITE GREASE RELIEF             | 1.000 EA |
| HA4001A01SP            | DRAIN PLUG, PLASTIC (MICRO PLAS)         | 1.000 EA |
| HA4051A00              | PLASTIC CAP FOR GREASE FITTING           | 1.000 EA |
| MJ1000A75              | GREASE, POLYREX EM EXXON                 | 0.080 LB |
| HW4500A03              | GREASE FITTING, .125 NPT 1610(ALEMITE) 8 | 1.000 EA |
| HW4500A17              | 317400 ALEMITE GREASE RELIEF             | 1.000 EA |
| HA4001A01SP            | DRAIN PLUG, PLASTIC (MICRO PLAS)         | 1.000 EA |
| MG1000G27              | PAINT- S9282E CHARCOAL GREY              | 0.050 GA |
| 85XU0407A04            | #4-7 X 1/4 DRIVE PIN                     | 2.000 EA |
| HA4051A00              | PLASTIC CAP FOR GREASE FITTING           | 1.000 EA |
| 09FN3001C01            | EXTERNAL FAN, PLASTIC                    | 1.000 EA |
| 51XB1214A20            | 12-14X1.25 HXWSSLD SERTYB                | 1.000 EA |
| HW2500A25              | WOODRUFF KEY USA #1008 #BLOW CARBON STEE | 1.000 EA |
| LB1119                 | WARNING LABEL                            | 1.000 EA |
| LB1125C04              | STD-E (STOCK CTN LABEL STD-E WITH FLAG)  | 4.000 EA |
| LC0104A01              | CONNECTION DIAGRAM                       | 1.000 EA |
| NP1256L                | ALUM, UL CSA CC, W/O THERMAL, LASER      | 1.000 EA |

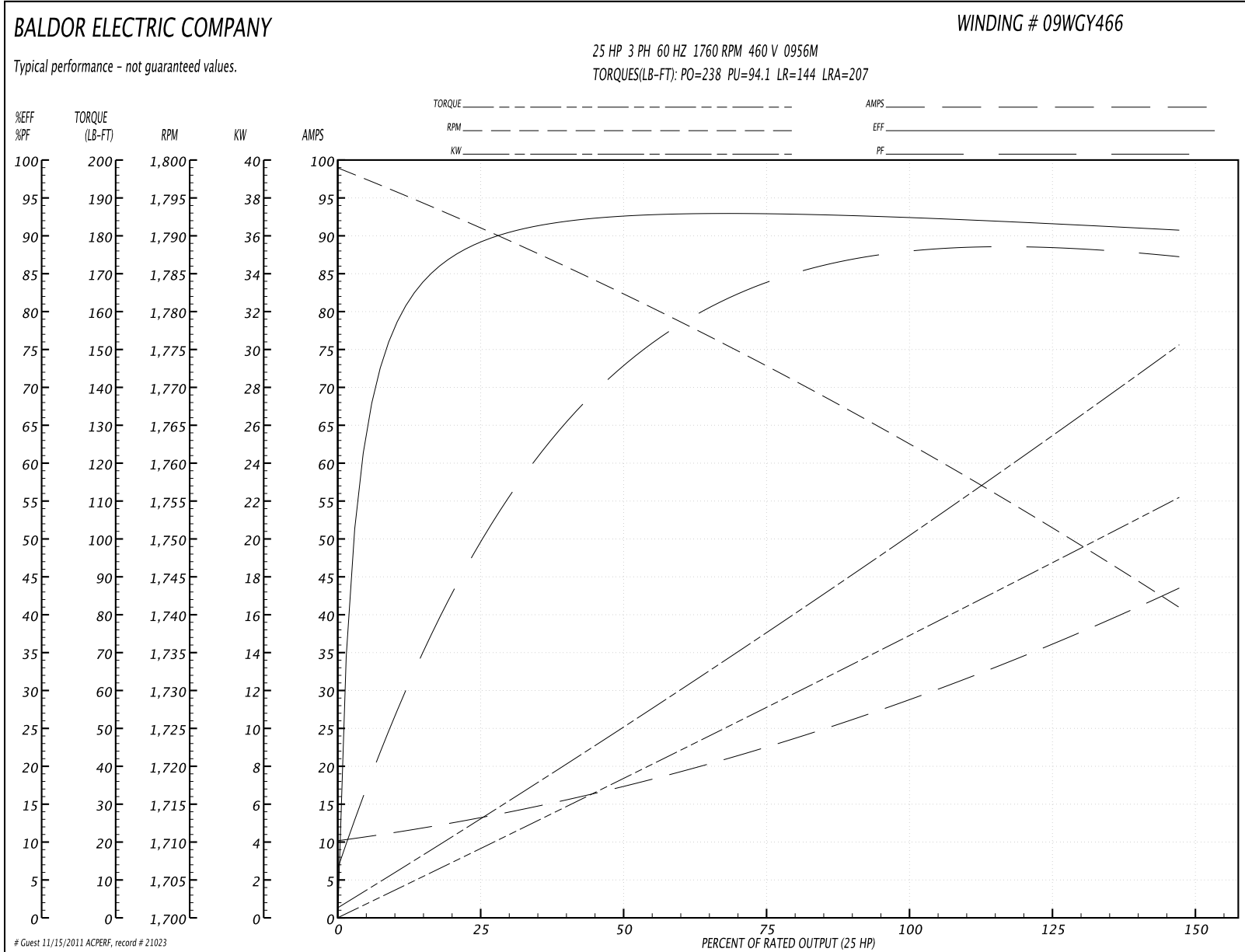
| Parts List (continued) |                         |          |
|------------------------|-------------------------|----------|
| Part Number            | Description             | Quantity |
| 40PA1005               | PACKAGING GROUP, 09 STD | 1.000 EA |

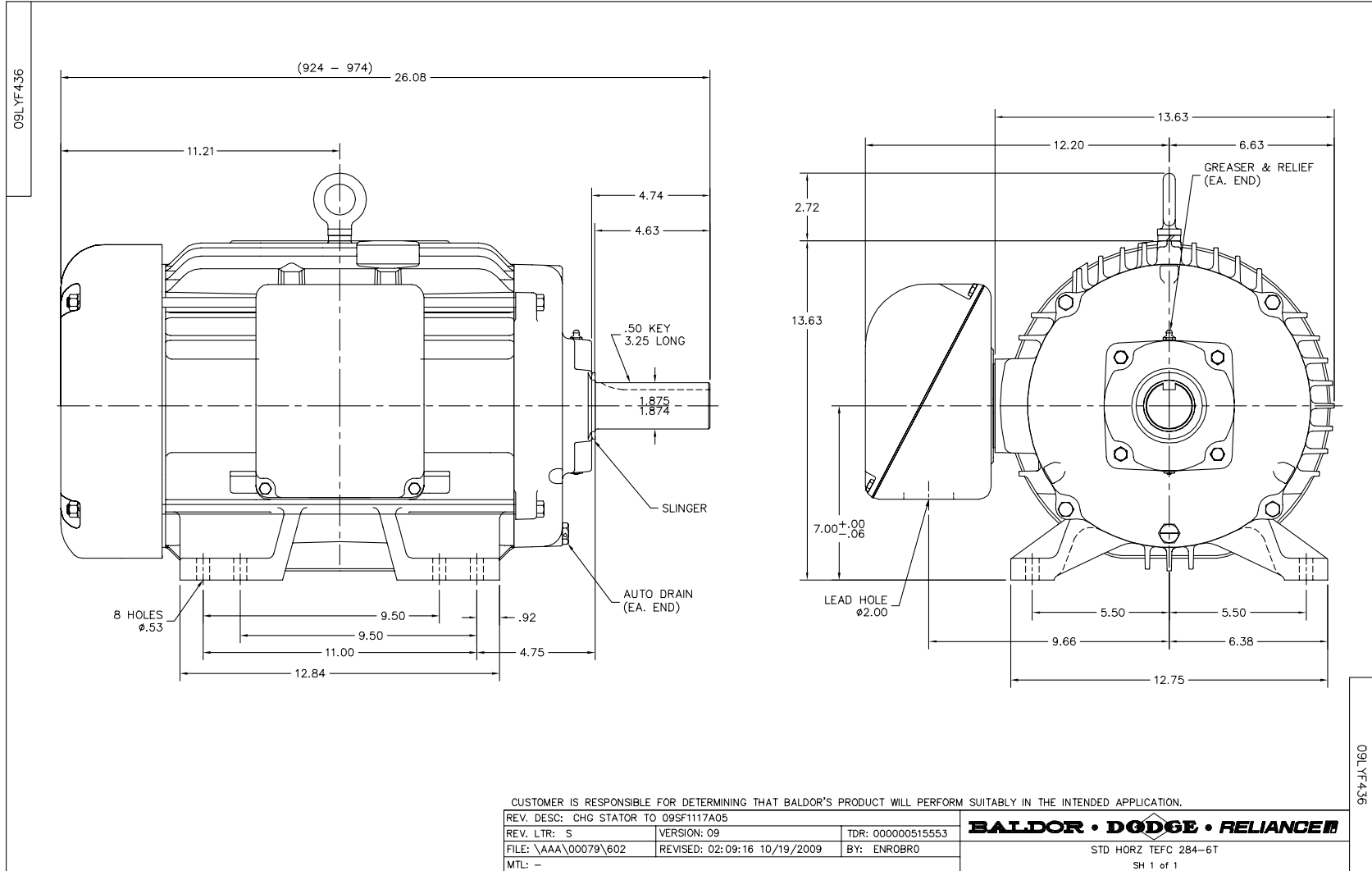
| <b>Accessories</b> |                    |                   |
|--------------------|--------------------|-------------------|
| <b>Part Number</b> | <b>Description</b> | <b>Multiplier</b> |
| 09-1310            | C FACE KIT         | A8                |

**Performance Data at 460V, 60Hz, 25.0HP (Typical performance - Not guaranteed values)**

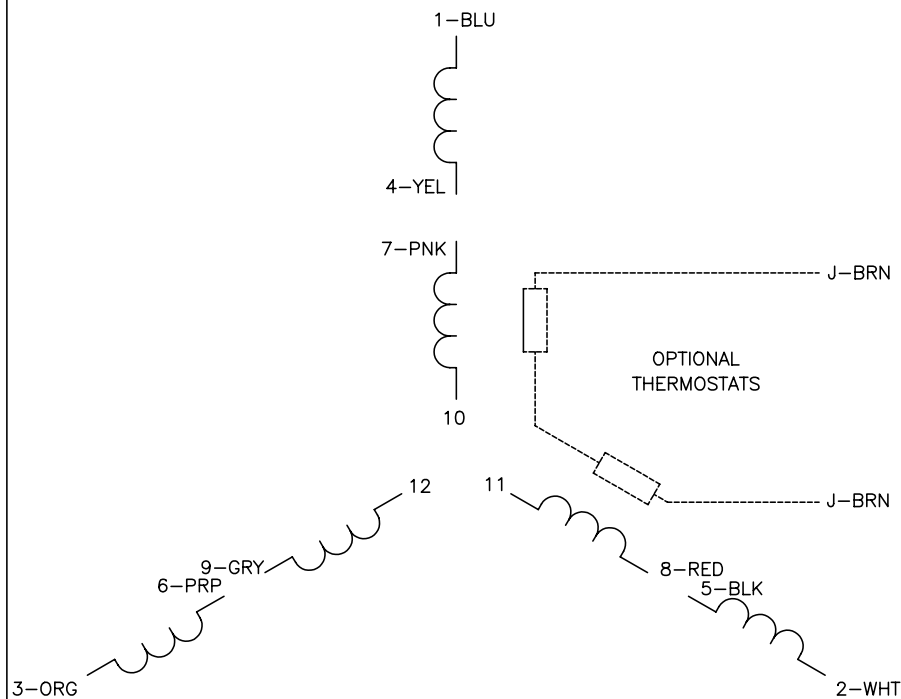
| General Characteristics  |                                 |        |        |                      |             |        |        |
|--------------------------|---------------------------------|--------|--------|----------------------|-------------|--------|--------|
| Full Load Torque:        | 74.0 LB-FT                      |        |        | Start Configuration: | DOL         |        |        |
| No-Load Current:         | 10.7 Amps                       |        |        | Break-Down Torque:   | 238.0 LB-FT |        |        |
| Line-line Res. @ 25°C.:  | 0.324 Ohms A Ph / 0.0 Ohms B Ph |        |        | Pull-Up Torque:      | 94.1 LB-FT  |        |        |
| Temp. Rise @ Rated Load: | 73 C                            |        |        | Locked-Rotor Torque: | 144.0 LB-FT |        |        |
| Temp. Rise @ S.F. Load:  | 88 C                            |        |        | Starting Current:    | 207.0 Amps  |        |        |
| Load Characteristics     |                                 |        |        |                      |             |        |        |
| % of Rated Load          | 25                              | 50     | 75     | 100                  | 125         | 150    | S.F.   |
| Power Factor:            | 53.0                            | 75.0   | 83.0   | 87.0                 | 88.0        | 88.0   | 88.0   |
| Efficiency:              | 89.0                            | 92.5   | 92.9   | 92.5                 | 91.7        | 90.7   | 92.0   |
| Speed:                   | 1791.0                          | 1782.0 | 1773.0 | 1763.0               | 1752.0      | 1741.0 | 1756.0 |
| Line Amperes:            | 12.6                            | 17.0   | 22.7   | 29.0                 | 36.0        | 43.1   | 33.2   |

Performance Graph at 460V, 60Hz, 25.0HP Typical performance - Not guaranteed values





CD0104



**LOW VOLTAGE**

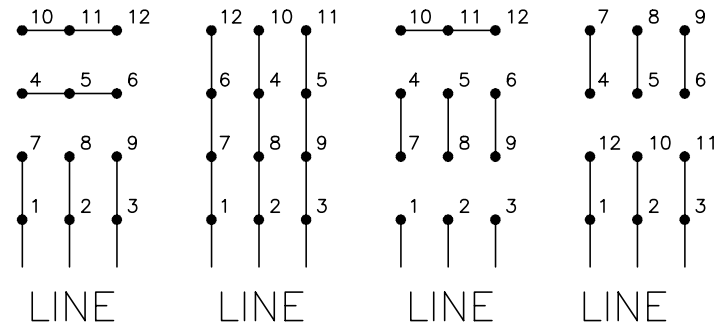
START (2Y)

RUN (2D)

**HIGH VOLTAGE**

START (1Y)

RUN (1D)



**NOTES:**

1. INTERCHANGE ANY TWO LINE LEADS TO REVERSE ROTATION.
2. OPTIONAL THERMOSTATS ARE PROVIDED WHEN SPECIFIED.
3. ACTUAL NUMBER OF INTERNAL PARALLEL CIRCUITS MAY BE A MULTIPLE OF THOSE SHOWN ABOVE.
4. LEAD COLORS ARE OPTIONAL. LEADS MUST ALWAYS BE NUMBERED AS SHOWN.

|   |         |                        |              |
|---|---------|------------------------|--------------|
| REV. DESC: REVISE TO SHOW OPTIONAL COLORS |         |                        |              |
| REV. LTR: C                               | BY: JLP | REVISED: 01/19/99 4:24 | TDR: 0171435 |
| CD0104                                    |         | FILE: AAA00008377      | MDL: -       |
|   |         | MTL: -                 |              |

**BALDOR ELECTRIC Co.**

3PH, DV, 12 LEADS, Y START/D RUN

CD0104