

BALDOR® • RELIANCE

Product Information Packet

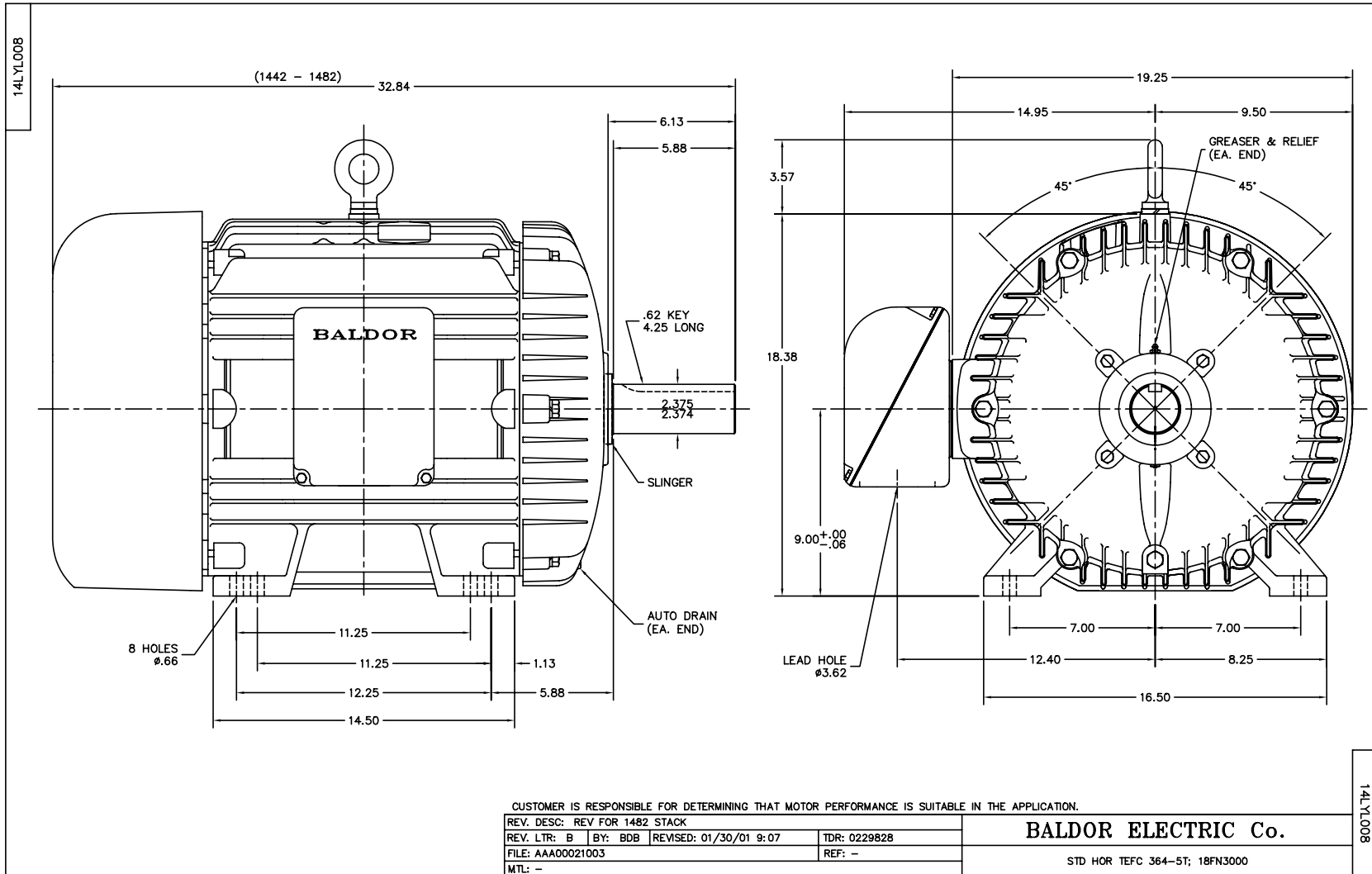
ELECTRIC MOTOR WHOLESAL.COM

M4312T

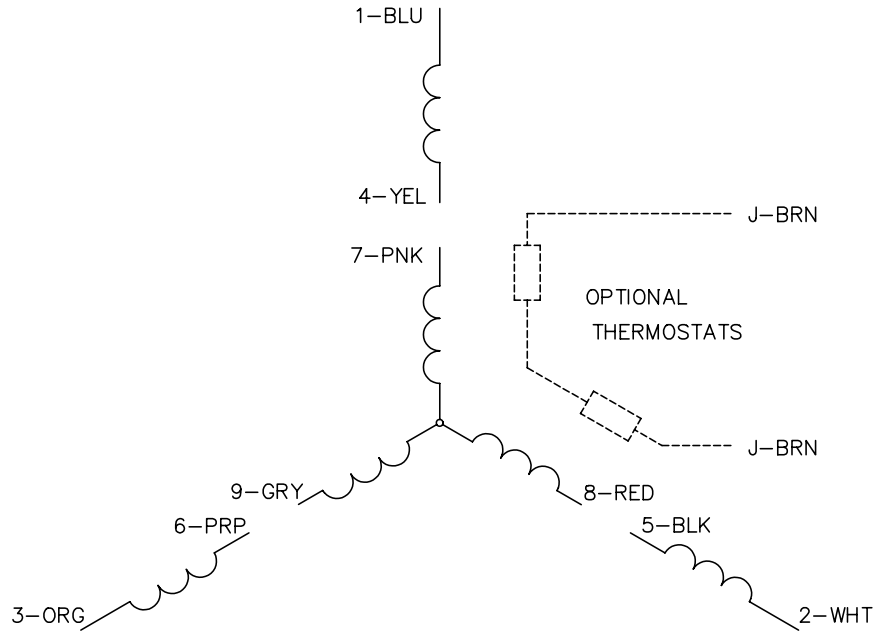
50HP, 1180RPM, 3PH, 60HZ, 365T, TEFC, FOOT,

Part Detail							
Revision:	M	Status:	INA/A	Change #:		Proprietary:	No
Type:	AC	Prod. Type:	1456M	Elec. Spec:	14WGW769	CD Diagram:	
Enclosure:	TEFC	Mfg Plant:		Mech. Spec:	14L008	Layout:	
Frame:	365T	Mounting:	F1	Poles:	06	Created Date:	
Base:	RG	Rotation:	R	Insulation:	F	Eff. Date:	04-15-2008
Leads:	9#6	Literature:		Elec. Diagram:		Replaced By:	

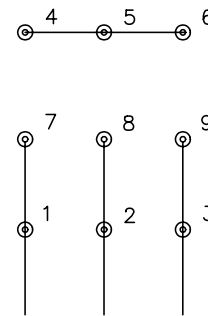
Accessories		
Part Number	Description	Multiplier
14-1704	C FACE KIT	A8
14EP1705A01SP	D-FLANGE KIT	A8



CD0005

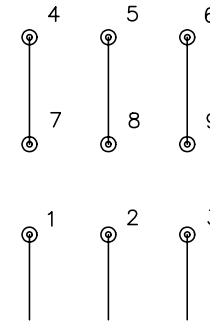


LOW VOLTAGE
(2Y)



LINE

HIGH VOLTAGE
(1Y)



LINE

NOTES:

1. INTERCHANGE ANY TWO LINE LEADS TO REVERSE ROTATION.
2. OPTIONAL THERMOSTATS ARE PROVIDED WHEN SPECIFIED.
3. ACTUAL NUMBER OF INTERNAL PARALLEL CIRCUITS MAY BE A MULTIPLE OF THOSE SHOWN ABOVE.
4. LEAD COLORS ARE OPTIONAL. LEADS MUST ALWAYS BE NUMBERED AS SHOWN.

REV. DESC: REVISE TO SHOW OPTIONAL COLORS			
REV. LTR: E	BY: JLP	REVISED: 01/19/99 10:15	TDR: 0171435
90000		FILE: AAA00005140	MDL: -
		MTL: -	

BALDOR ELECTRIC Co.

3PH, DV, 9 LEADS

CD0005