

BALDOR® • RELIANCE

Product Information Packet

ELECTRIC MOTOR WHOLESAL.COM

M4338T

30HP,880RPM,3PH,60HZ,364T,1450M,TEFC,F1

Part Detail							
Revision:	-	Status:	PRD/A	Change #:		Proprietary:	No
Type:	AC	Prod. Type:	1450M	Elec. Spec:	14WGY103	CD Diagram:	
Enclosure:	TEFC	Mfg Plant:		Mech. Spec:	14C51	Layout:	
Frame:	364T	Mounting:	F1	Poles:	08	Created Date:	11-03-2010
Base:	RG	Rotation:	R	Insulation:	F	Eff. Date:	11-05-2010
Leads:	9#8	Literature:		Elec. Diagram:		Replaced By:	

Nameplate NP1256L									
CAT.NO.	M4338T								
SPEC.	14C051Y103H1								
HP	30								
VOLTS	230/460								
AMP	88/44								
RPM	880								
FRAME	364T	HZ			60	PH	3		
SER.F.	1.15	CODE			G	DES	B	CLASS	F
NEMA-NOM-EFF	91	PF			73				
RATING	40C AMB-CONT								
CC	010A	USABLE AT 208V							
DE	6313	ODE			6312				
ENCL	TEFC	SN							

Parts List		
Part Number	Description	Quantity
SA210206	SA 14C051Y103H1	1.000 EA
RA197463	RA 14C051Y103H1	1.000 EA
S/P101-000-004	EPACT PROC-CL, 280FR & UP,LARGE BOX,POLY	1.000 EA
10CB3002A01	CB 309 3.62 LD HOLE, .44 MTG HOLE & 3.50	1.000 EA
14GS1000SP	GASKET, CONDUIT BOX	1.000 EA
10XN3816K12	3/8-16 X 3/4 HEX HD CAP GRADE 5	4.000 EA
HW1001A38	LOCKWASHER 3/8, ZINC PLT .688 OD, .382 I	4.000 EA
WD1000B16	KPA-4C BURNDY TERMINAL	1.000 EA
51XF2520A08	SCREW, HEX SER SLT HD, ZN 1/4-20 X .50 L	1.000 EA
14EP1102A11	FR ENDPLATE, 364-365 312 BRG 364-5T	1.000 EA
HA4051A00	PLASTIC CAP FOR GREASE FITTING	1.000 EA
10XN5013K40	1/2-13X 2 1/2 HEX HD X	6.000 EA
HW1001A50	LOCKWASHER 1/2, ZINC PLT,.879 OD, .509 I	6.000 EA
HW5100A15	W4997-050 WVY WSHR (WB)	1.000 EA
10XN3118K40	5/16-18 X 2.50" HEX HD, GRADE 5	2.000 EA
HW1001A31	LOCKWASHER 5/16, ZINC PLT.591 OD, .319 I	2.000 EA
10XN3816K48	3/8-16 X 3 HEX HD CAP SCREW,Z/P	4.000 EA
HW1001A38	LOCKWASHER 3/8, ZINC PLT .688 OD, .382 I	4.000 EA
14EP1703A13	PU ENDPLATE, 364-5T TEFC	1.000 EA
HA4051A00	PLASTIC CAP FOR GREASE FITTING	1.000 EA
10XN5013K40	1/2-13X 2 1/2 HEX HD X	6.000 EA
HW1001A50	LOCKWASHER 1/2, ZINC PLT,.879 OD, .509 I	6.000 EA
HW4600B42	V-RING SLINGER 2.375 X 3.070 X 0.280	1.000 EA
14FH1002A01	FAN HSG CAST	1.000 EA

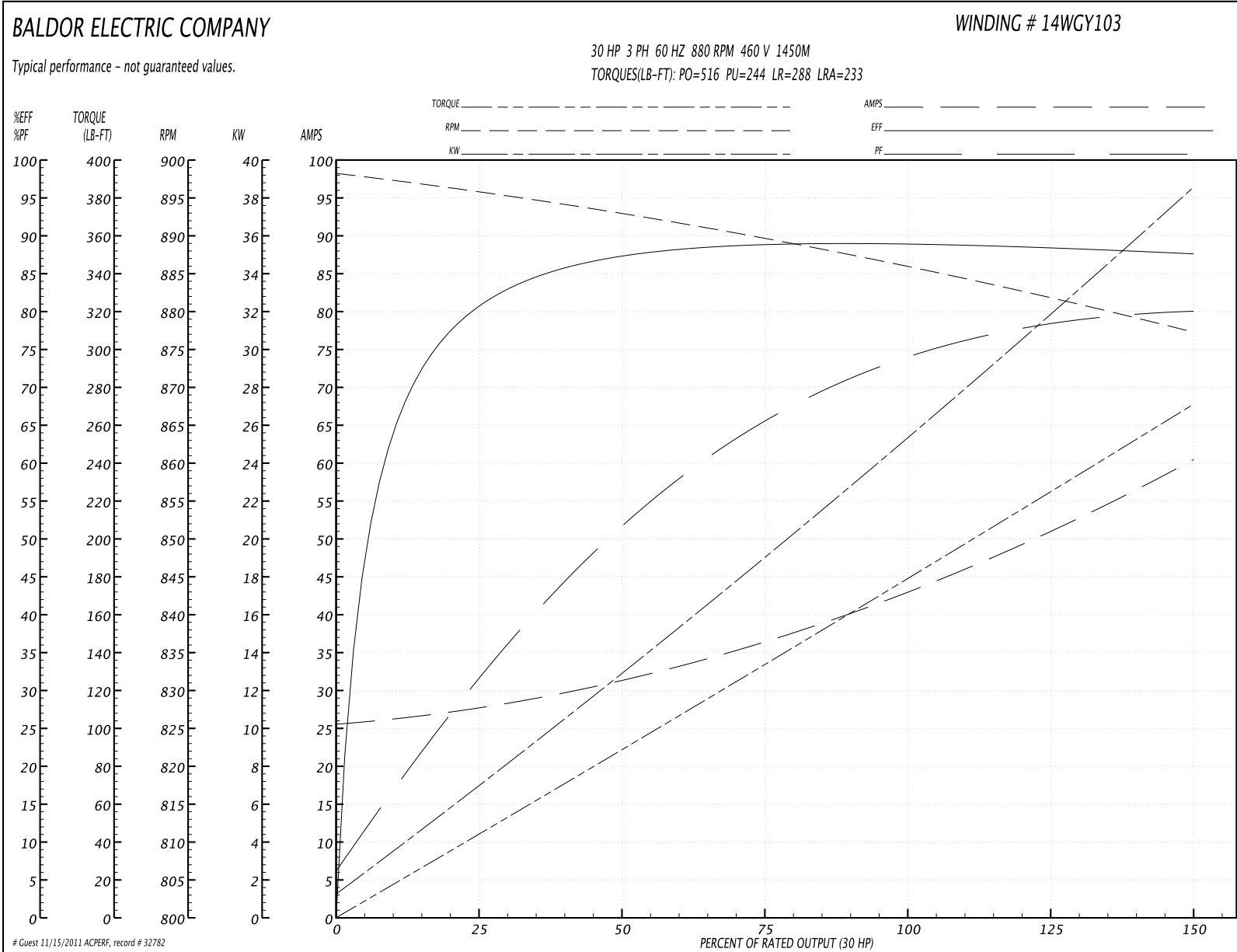
Parts List (continued)		
Part Number	Description	Quantity
10XN3816K24	3/8-16 X 1.50 HEX HD CAP SCREW, GRADE 5	3.000 EA
HW1001A38	LOCKWASHER 3/8, ZINC PLT .688 OD, .382 I	3.000 EA
10CB3500SP	CONDUIT BOX LID, CAST	1.000 EA
10GS1000SP	GASKET, CONDUIT BOX LID	1.000 EA
51XW2520A12	.25-20 X .75, TAPTITE II, HEX WSHR SLTD	4.000 EA
HW2501J36	KEY, 5/8 SQ X 4.250	1.000 EA
LB1115	LABEL,LIFTING DEVICE	1.000 EA
HW4500A21	1618BALEMITE FITTING 825 UNIVERSAL	1.000 EA
HA4017A08	.125X3.50 GREASER EXTEN. NLA	1.000 EA
HW4500A17	317400 ALEMITE GREASE RELIEF	1.000 EA
HA4001A01SP	DRAIN PLUG, PLASTIC (MICRO PLAS)	1.000 EA
MJ1000A75	GREASE, POLYREX EM EXXON	0.220 LB
HW4500A03	GREASE FITTING, .125 NPT 1610(ALEMITE) 8	1.000 EA
HW4500A17	317400 ALEMITE GREASE RELIEF	1.000 EA
HA4001A01SP	DRAIN PLUG, PLASTIC (MICRO PLAS)	1.000 EA
10FN3001A03	EXTERNAL FAN (KENCO)	1.000 EA
HW2500A25	WOODRUFF KEY USA #1008 #BLOW CARBON STEE	1.000 EA
HA6390A01	HOSE CLAMP FOR 3.12 DIA S.S. OR PLATED	1.000 EA
MG1000G27	PAINT- S9282E CHARCOAL GREY	0.140 GA
85XU0407A04	#4-7 X 1/4 DRIVE PIN	2.000 EA
LB5040	INSTRUCTION TAG, AC & DC	1.000 EA
LB1125C01	STD (STOCK) CARTON LABEL BALDOR WITH FLA	4.000 EA
LC0005E02	SPL CONN.DIA./WARN.LABEL(LC0005/LB1119)	1.000 EA
NP1256L	ALUM, UL CSA CC, W/O THERMAL, LASER	1.000 EA

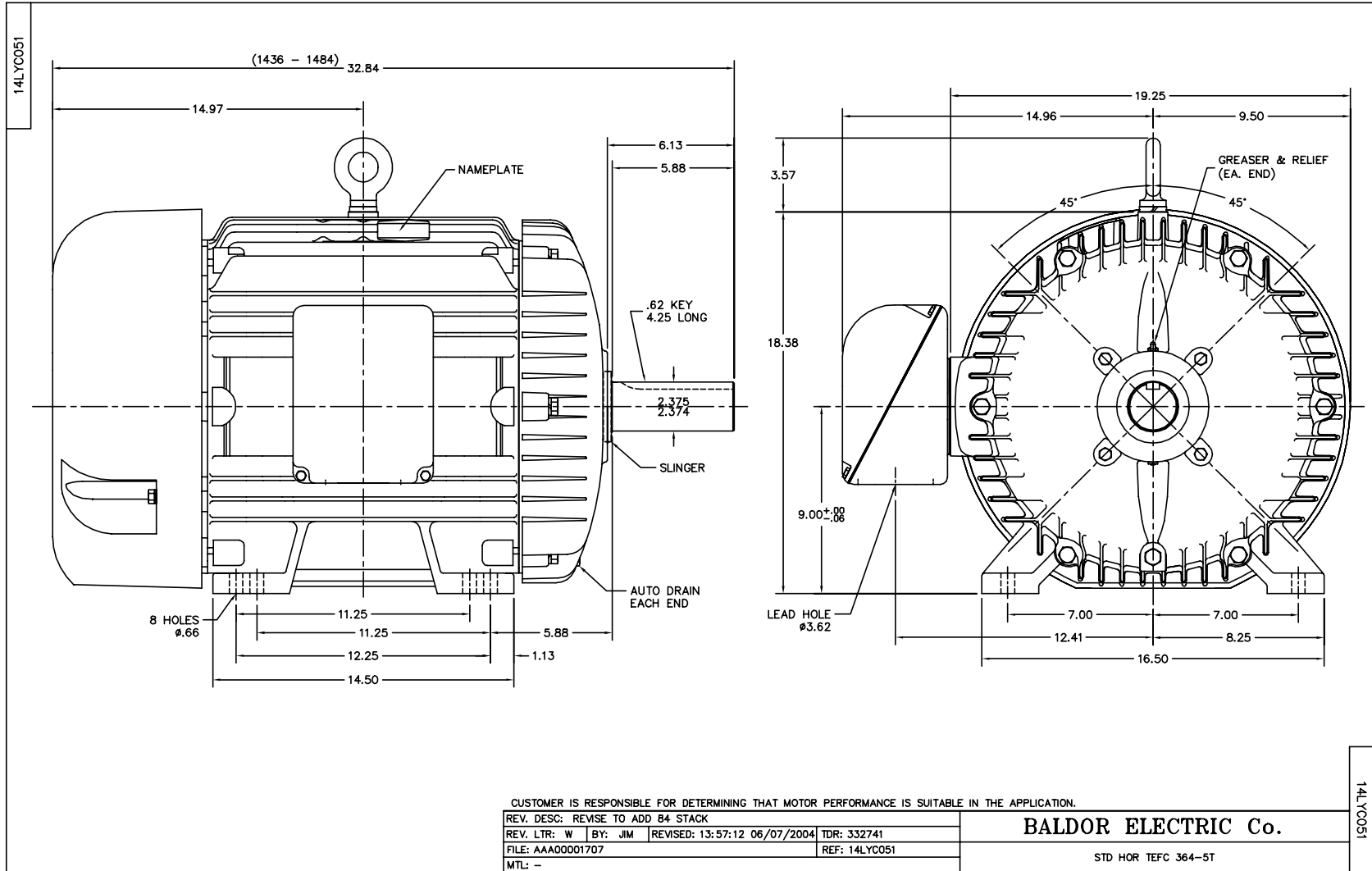
Parts List (continued)		
Part Number	Description	Quantity
14PA1000	PACKAGING 314 GROUP COMBINED PRINT	1.000 EA

Accessories		
Part Number	Description	Multiplier
14-1704	C FACE KIT	A8
14EP1705A01SP	D-FLANGE KIT	A8

Performance Data at 460V, 60Hz, 30.0HP (Typical performance - Not guaranteed values)							
General Characteristics							
Full Load Torque:	181.0 LB-FT			Start Configuration:	DOL		
No-Load Current:	25.8 Amps			Break-Down Torque:	516.0 LB-FT		
Line-line Res. @ 25°C.:	0.222 Ohms A Ph / 0.0 Ohms B Ph			Pull-Up Torque:	244.0 LB-FT		
Temp. Rise @ Rated Load:	82 C			Locked-Rotor Torque:	288.0 LB-FT		
Temp. Rise @ S.F. Load:	94 C			Starting Current:	233.0 Amps		
Load Characteristics							
% of Rated Load	25	50	75	100	125	150	S.F.
Power Factor:	33.0	53.0	66.0	74.0	78.0	80.0	76.0
Efficiency:	80.8	88.0	90.3	91.1	91.3	91.1	90.7
Speed:	894.0	893.0	891.0	886.0	880.0	878.0	882.0
Line Amperes:	27.5	31.3	36.8	43.6	51.4	60.3	48.3

Performance Graph at 460V, 60Hz, 30.0HP Typical performance - Not guaranteed values





CD0005



LOW VOLTAGE
(2Y)



LINE

HIGH VOLTAGE
(1Y)



LINE

NOTES:

1. INTERCHANGE ANY TWO LINE LEADS TO REVERSE ROTATION.
2. OPTIONAL THERMOSTATS ARE PROVIDED WHEN SPECIFIED.
3. ACTUAL NUMBER OF INTERNAL PARALLEL CIRCUITS MAY BE A MULTIPLE OF THOSE SHOWN ABOVE.
4. LEAD COLORS ARE OPTIONAL. LEADS MUST ALWAYS BE NUMBERED AS SHOWN.

REV. DESC: REVISE TO SHOW OPTIONAL COLORS			
REV. LTR: E	BY: JLP	REVISED: 01/19/99 10:15	TDR: 0171435
9000D		FILE: AAA00005140	MDL: -
		MTL: -	

BALDOR ELECTRIC Co.

3PH, DV, 9 LEADS

CD0005