

BALDOR® • RELIANCE

Product Information Packet

ELECTRIC MOTOR WHOLESAL.COM

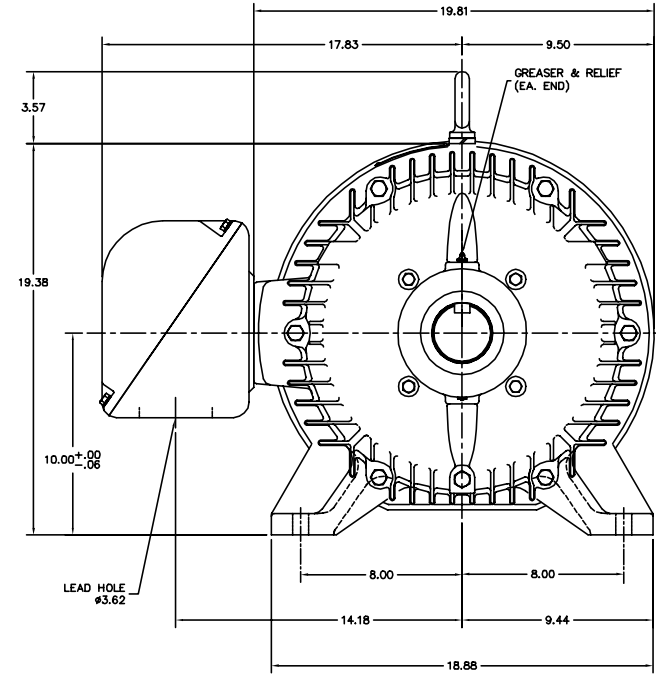
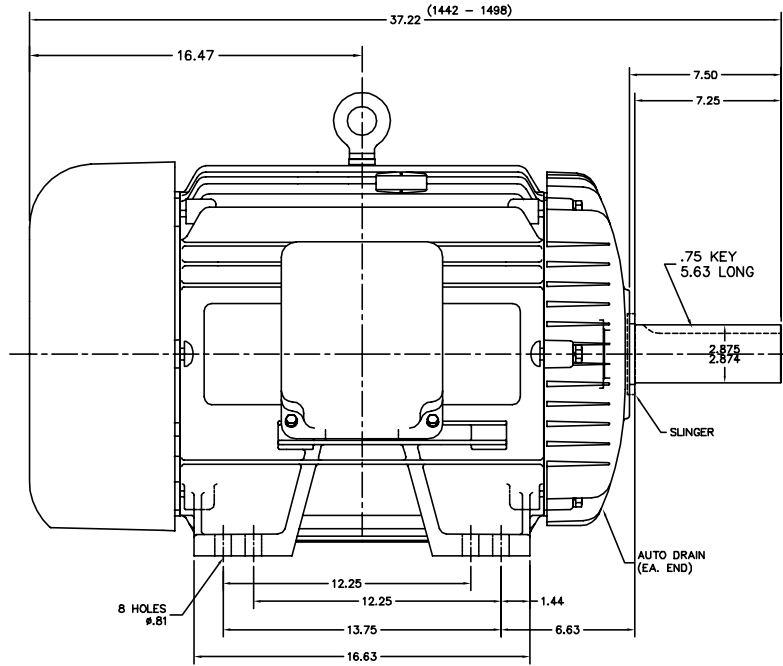
M4403T

60HP,1180RPM,3PH,60HZ,404T,1484M,TEFC,F1

Part Detail							
Revision:	F	Status:	INA/A	Change #:		Proprietary:	No
Type:	AC	Prod. Type:	1484M	Elec. Spec:	14WGX592	CD Diagram:	
Enclosure:	TEFC	Mfg Plant:		Mech. Spec:	14T065	Layout:	
Frame:	404T	Mounting:	F1	Poles:	06	Created Date:	
Base:	RG	Rotation:	R	Insulation:	F	Eff. Date:	12-01-2010
Leads:	9#6	Literature:		Elec. Diagram:		Replaced By:	

Accessories		
Part Number	Description	Multiplier
14-1303	C FACE KIT	A8

14LYT065



CUSTOMER IS RESPONSIBLE FOR DETERMINING THAT MOTOR PERFORMANCE IS SUITABLE IN THE APPLICATION.

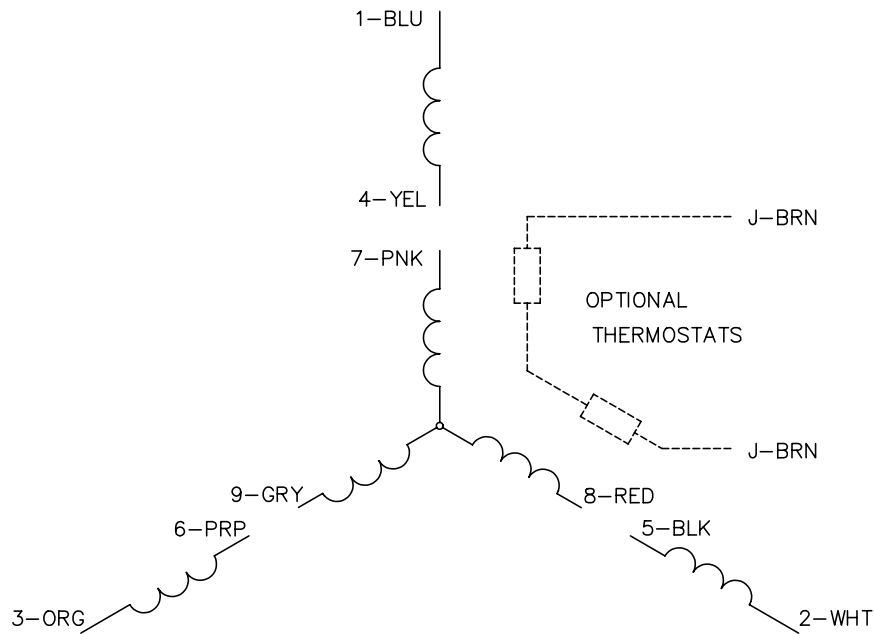
REV. DESC: REV TO MAKE 1498M MAX STACK			
REV. LTR: B	BY: RBM	REVISED: 15:46:47 06/04/2004	TDR: 332744
FILE: AAA00097294		REF: 14LYT065	
MTL: -			

BALDOR ELECTRIC Co.

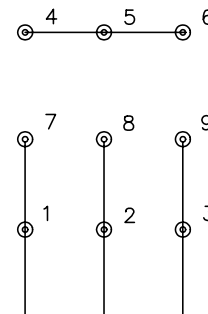
STD HOR TEFC LAYOUT - 404-5T

14LYT065

CD0005

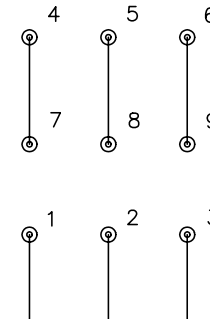


LOW VOLTAGE
(2Y)



LINE

HIGH VOLTAGE
(1Y)



LINE

NOTES:

1. INTERCHANGE ANY TWO LINE LEADS TO REVERSE ROTATION.
2. OPTIONAL THERMOSTATS ARE PROVIDED WHEN SPECIFIED.
3. ACTUAL NUMBER OF INTERNAL PARALLEL CIRCUITS MAY BE A MULTIPLE OF THOSE SHOWN ABOVE.
4. LEAD COLORS ARE OPTIONAL. LEADS MUST ALWAYS BE NUMBERED AS SHOWN.

REV. DESC: REVISE TO SHOW OPTIONAL COLORS			
REV. LTR: E	BY: JLP	REVISED: 01/19/99 10:15	TDR: 0171435
900000		FILE: AAA00005140	MDL: -
		MTL: -	

BALDOR ELECTRIC Co.

3PH, DV, 9 LEADS

CD0005