

# **BALDOR® • RELIANCE**

**Product Information Packet**

**ELECTRIC MOTOR WHOLESAL.COM**

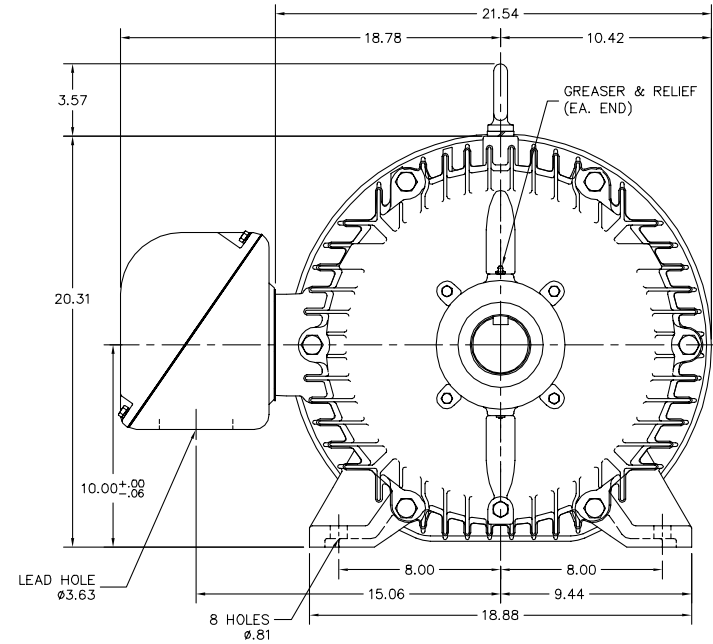
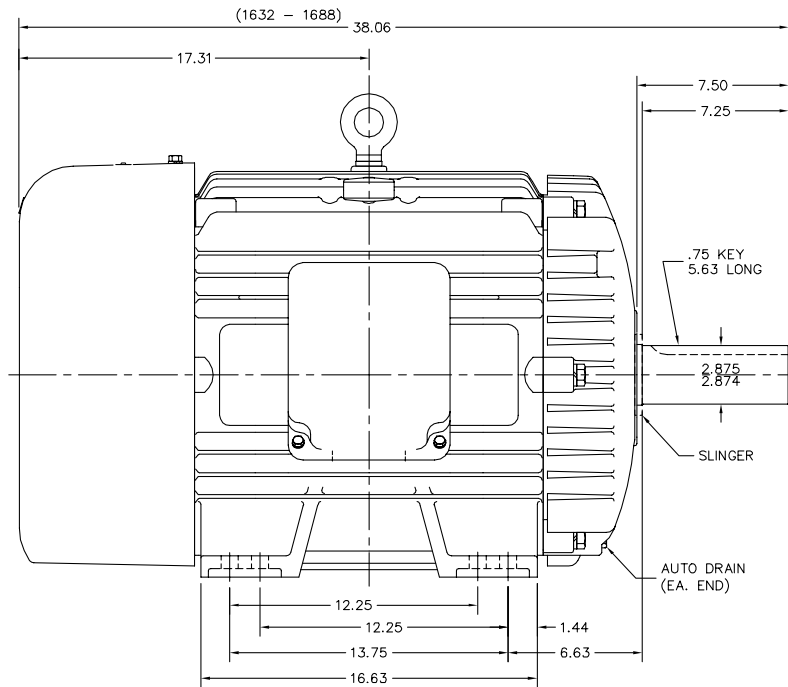
**M4404T**

**75HP, 1185RPM, 3PH, 60HZ, 405T, TEFC, FOOT,**

Part Detail							
Revision:	L	Status:	INA/A	Change #:		Proprietary:	No
Type:	AC	Prod. Type:	1678M	Elec. Spec:	16WG738	CD Diagram:	
Enclosure:	TEFC	Mfg Plant:		Mech. Spec:	16H43	Layout:	
Frame:	405T	Mounting:	F1	Poles:	06	Created Date:	
Base:	RG	Rotation:	R	Insulation:	F	Eff. Date:	12-08-2010
Leads:	9#6	Literature:		Elec. Diagram:		Replaced By:	

<b>Accessories</b>		
<b>Part Number</b>	<b>Description</b>	<b>Multiplier</b>
16-1704	C FACE KIT	A8
16EP1501A01SP	D-FLANGE KIT	A8

16L.YH043



CUSTOMER IS RESPONSIBLE FOR DETERMINING THAT MOTOR PERFORMANCE IS SUITABLE IN THE APPLICATION.

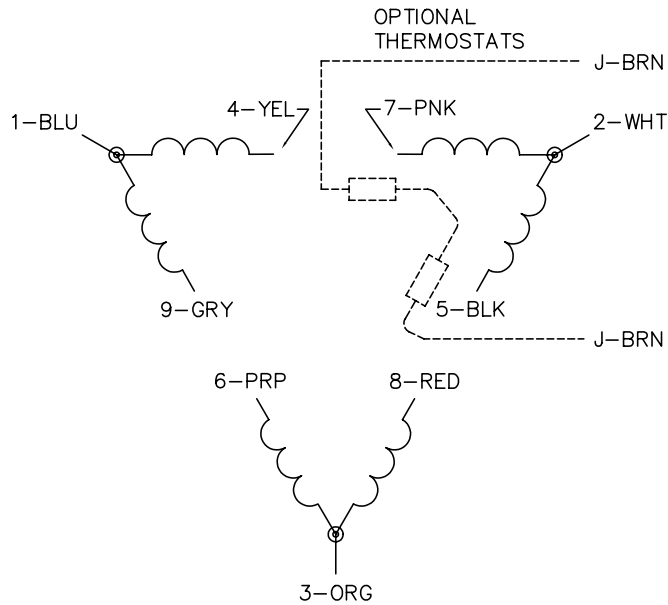
REV. DESC: UPDATE PER RUNNING CHANGES		
REV. LTR: D	VERSION: 01	TDR: 000000429784
FILE: \AAA\00014\476	REVISED: 14:06:28 05/02/2007	BY: ENBREWO
MTL: -		

**BALDOR ELECTRIC Co.**

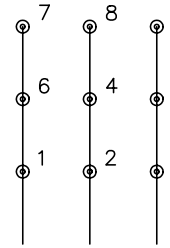
STD HORZ TEFC 404-5T

16L.YH043

CD0180

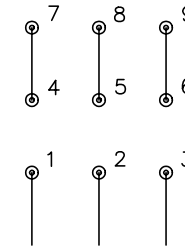


LOW VOLTAGE  
(2D)



LINE

HIGH VOLTAGE  
(1D)



LINE

NOTES:

1. INTERCHANGE ANY TWO LINE LEADS TO REVERSE ROTATION.
2. OPTIONAL THERMOSTATS ARE PROVIDED WHEN SPECIFIED.
3. ACTUAL NUMBER OF INTERNAL PARALLEL CIRCUITS MAY BE A MULTIPLE OF THOSE SHOWN ABOVE.
4. LEAD COLORS ARE OPTIONAL. LEADS MUST ALWAYS BE NUMBERED AS SHOWN.

REV. DESC: REVISE TO SHOW OPTIONAL COLORS			
REV. LTR: C	BY: JLP	REVISED: 01/21/99 2:28	TDR: 0171435
0810D0		FILE: AAA00005148	MDL: -
		MTL: -	

**BALDOR ELECTRIC Co.**

3PH, DV, 9 LEADS, DELTA CONNECTION

CD0180