

BALDOR® • RELIANCE

Product Information Packet

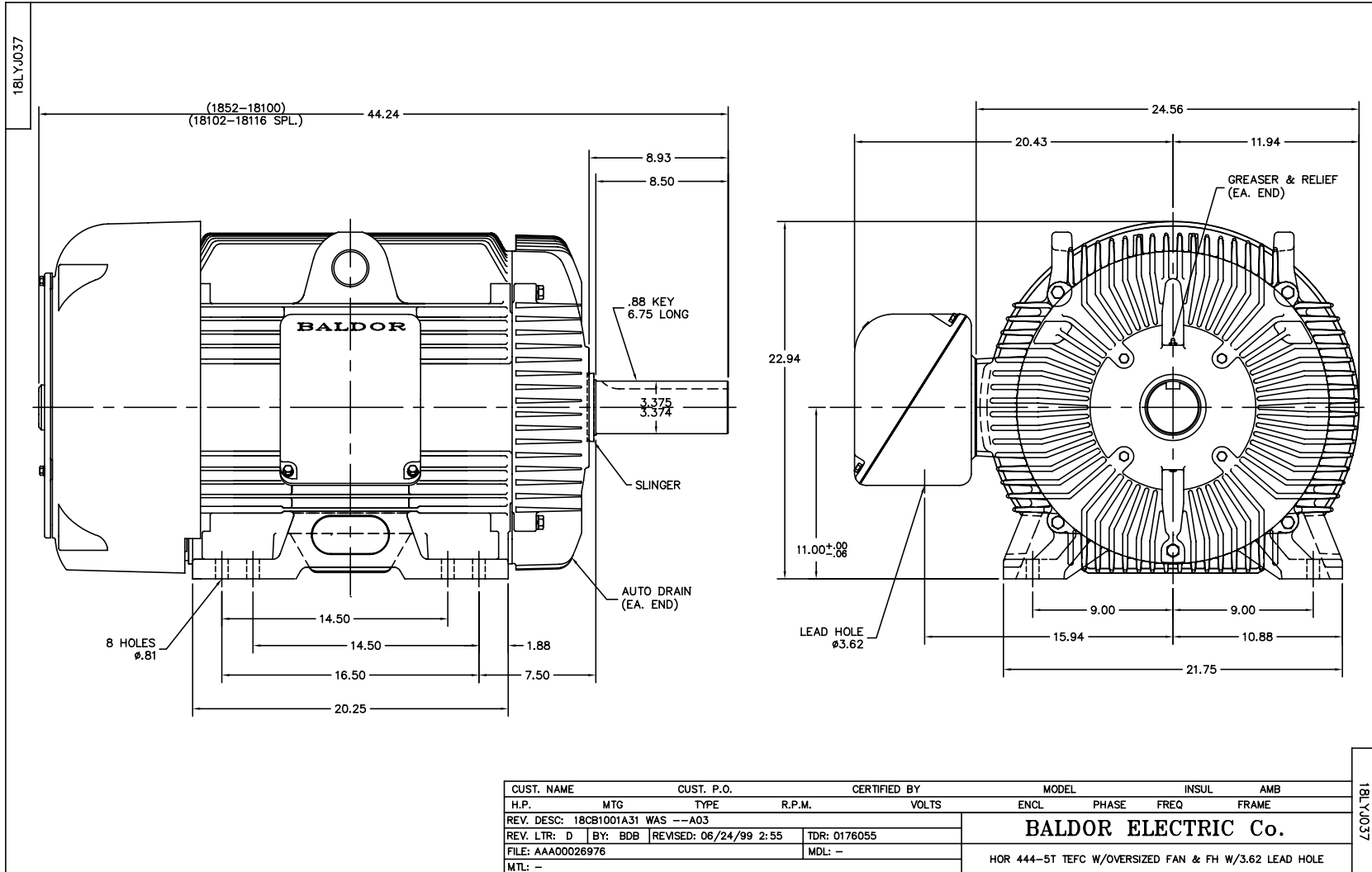
ELECTRIC MOTOR WHOLESAL.COM

M4409T

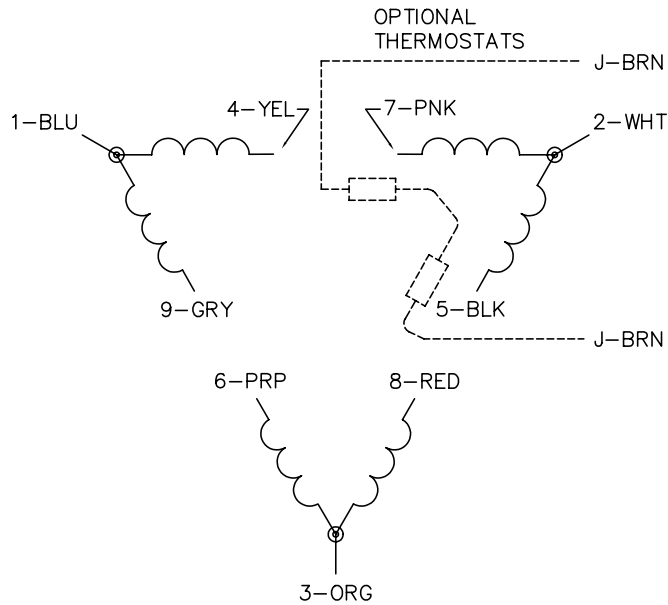
100HP, 1185RPM, 3PH, 60HZ, 444T, 1868M, TEFC

Part Detail							
Revision:	K	Status:	INA/A	Change #:		Proprietary:	No
Type:	AC	Prod. Type:	1868M	Elec. Spec:	18WGX493	CD Diagram:	
Enclosure:	TEFC	Mfg Plant:		Mech. Spec:	18J037	Layout:	
Frame:	444T	Mounting:	F1	Poles:	06	Created Date:	
Base:	RG	Rotation:	R	Insulation:	F	Eff. Date:	06-02-2009
Leads:	9#2	Literature:		Elec. Diagram:		Replaced By:	

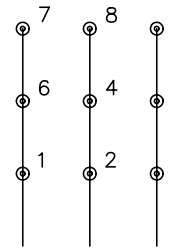
Accessories		
Part Number	Description	Multiplier
18-1302	C-FACE KIT FOR T CONVERTS T TO TC	A8
18EP1500A01SP	D-FLANGE KIT	A8



CD0180

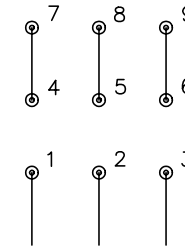


LOW VOLTAGE
(2D)



LINE

HIGH VOLTAGE
(1D)



LINE

NOTES:

1. INTERCHANGE ANY TWO LINE LEADS TO REVERSE ROTATION.
2. OPTIONAL THERMOSTATS ARE PROVIDED WHEN SPECIFIED.
3. ACTUAL NUMBER OF INTERNAL PARALLEL CIRCUITS MAY BE A MULTIPLE OF THOSE SHOWN ABOVE.
4. LEAD COLORS ARE OPTIONAL. LEADS MUST ALWAYS BE NUMBERED AS SHOWN.

REV. DESC: REVISE TO SHOW OPTIONAL COLORS			
REV. LTR: C	BY: JLP	REVISED: 01/21/99 2:28	TDR: 0171435
0810D0		FILE: AAA00005148	MDL: -
		MTL: -	

BALDOR ELECTRIC Co.

3PH, DV, 9 LEADS, DELTA CONNECTION

CD0180